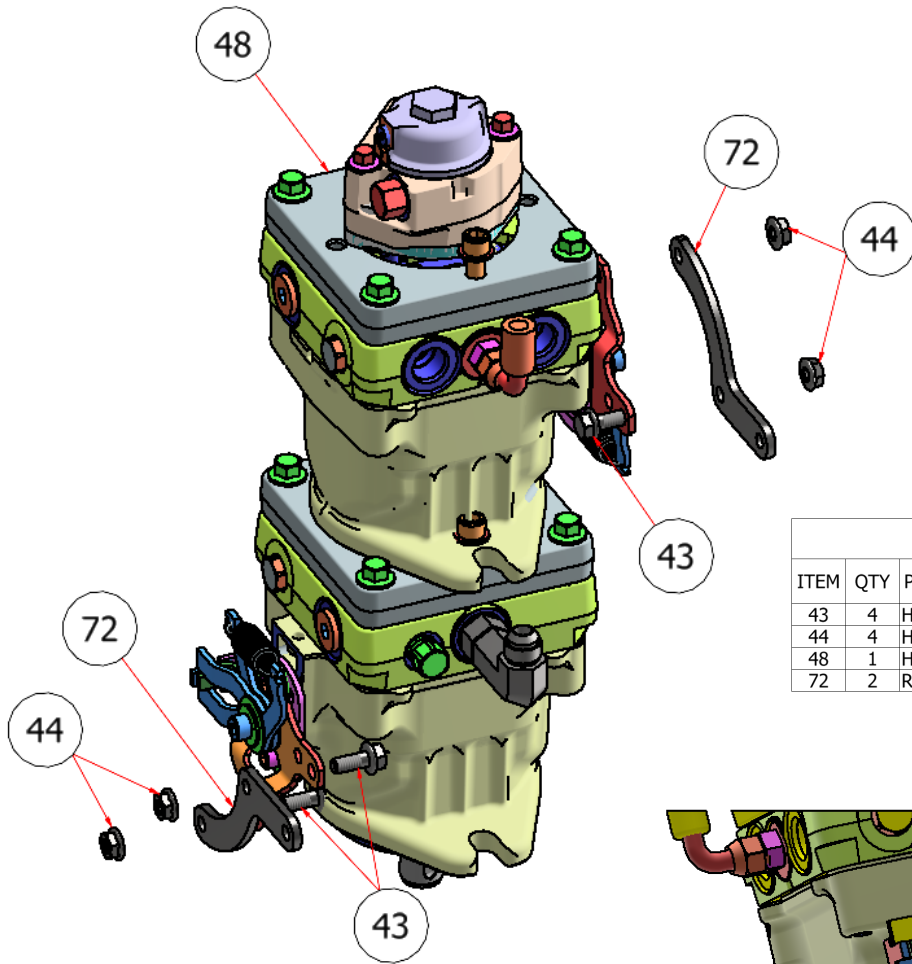
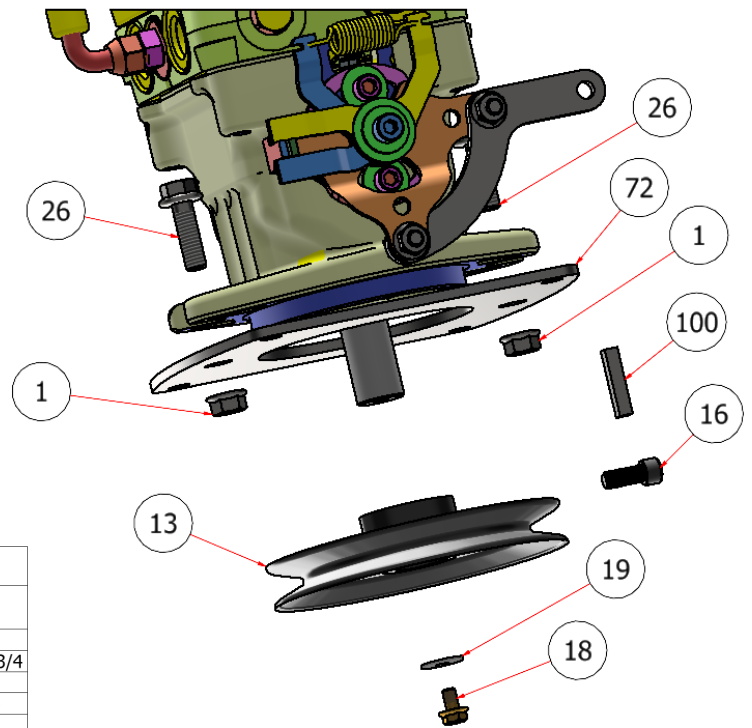


# SGXL HYDRULIC PUMP

DRAWING NO. SGXLEV-023 REV. 2

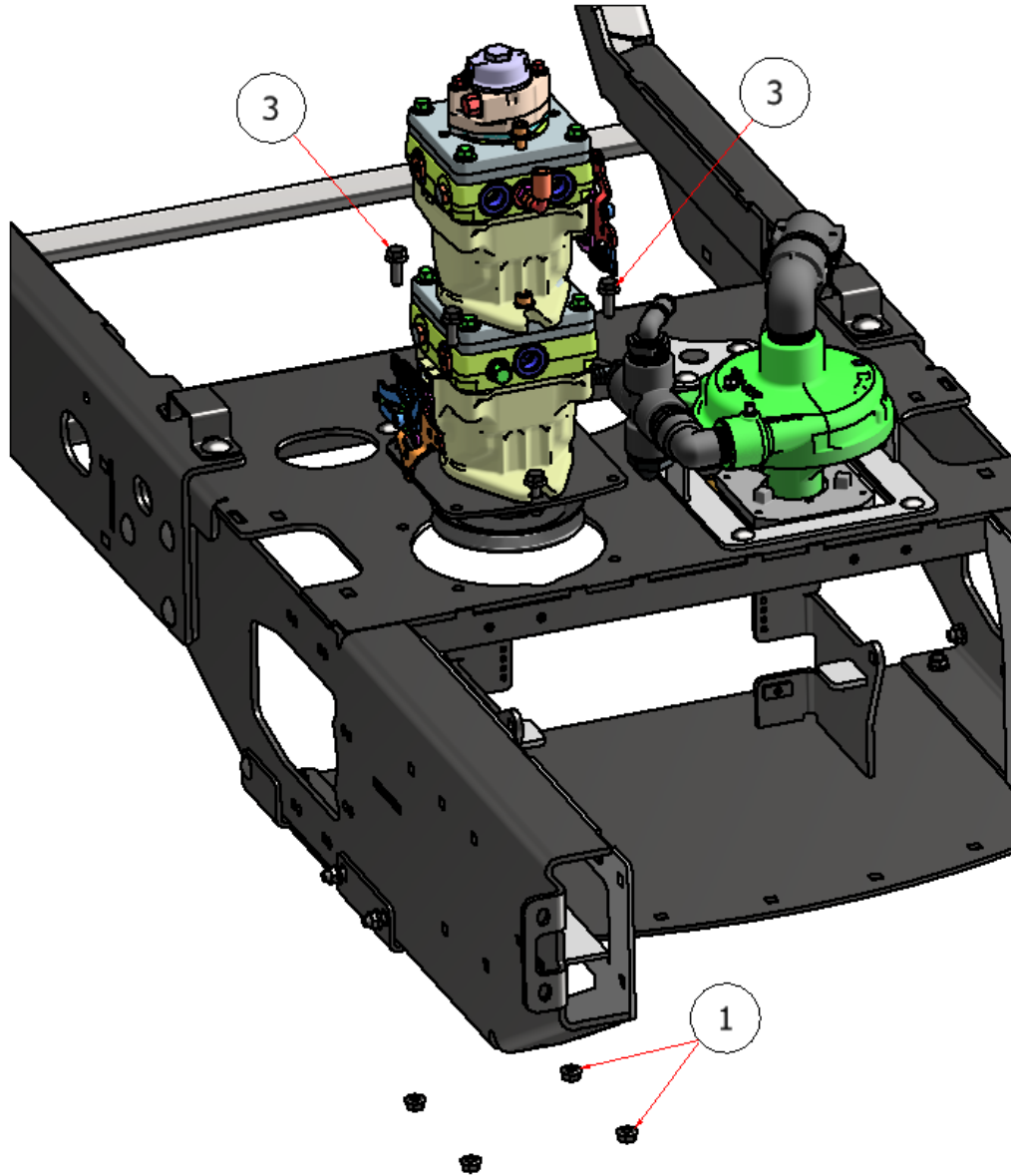


PARTS LIST			
ITEM	QTY	PART NUMBER	TITLE
43	4	HFSSC-51675	HEX FLANGE BOLT, SS - 5/16 X 3/4
44	4	HFNCS-516S	HEX FLANGE NUT, 5/16
48	1	H80422	TANDEM PUMP, SGXL
72	2	R23-226	SS SGXL PUMP LEVERS



PARTS LIST			
ITEM	QTY	PART NUMBER	TITLE
1	39	HFNCS-38S	HEX FLANGE NUT, SS - 3/8-16
16	1	SHCS-516-24X34	SOCKET HEAD CAP SCREW, 5/16 X 3/4
18	1	JIS B 1189 - M6 x 10	HEX FLANGE BOLT, M6 X 10
26	4	HFSSC-38114	HEX FLANGE BOLT, SS - 3/8 X 1-1/4
72	1	R23-227	SS SGXL HYDRO PUMP PLATE
100	1	KS-14X14X1.25	KEY, 1/4 X 1/4 X 1-1/4

**NOTE:** Quantities in the parts list above are total per machine. Please note the quantities used in the sub-assemblies.



PARTS LIST			
ITEM	QTY	PART NUMBER	TITLE
1	39	HFNCS-38S	HEX FLANGE NUT, SS - 3/8-16
3	20	HFSSC-381	HEX BOLT, 3/8" X 1"

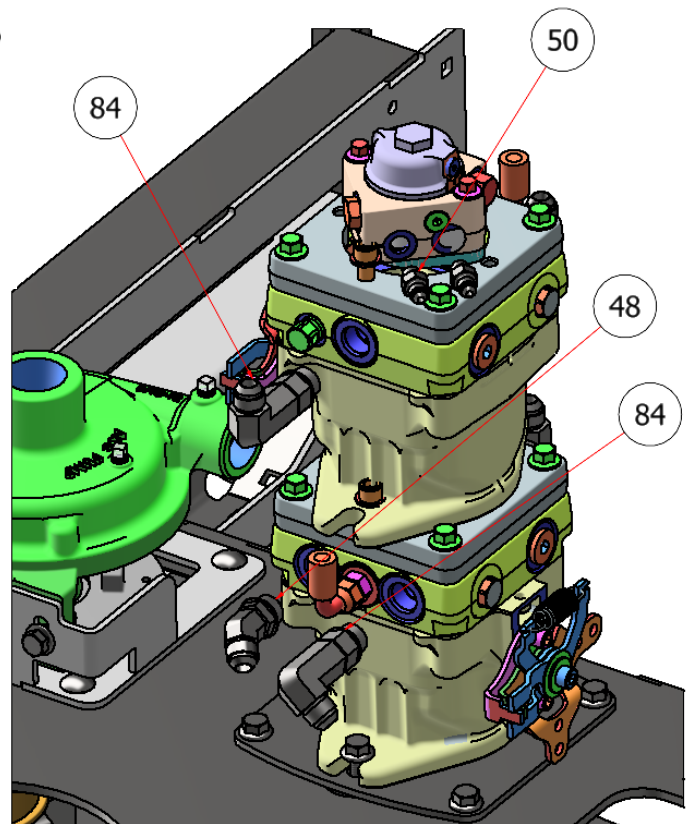
**NOTE:** Quantities in the parts list above are total per machine. Please note the quantities used in the sub-assemblies.

# SGXL HYDRULIC PUMP



49

84



50

84

48

84

PARTS LIST			
ITEM	QTY	PART NUMBER	TITLE
48	1	H84007	8_V50X-S_PRT
49	2	H84005	1/2 MALE JIC X 3/4 ORB ELB 90
50	2	H84002	1/4 MALE JIC X 1/4 ORB
84	3	H84005-L	FITTING, 1/2" ORB X 1/2" JIC ELBOW LONG

**NOTE:** Quantities in the parts list above are total per machine. Please note the quantities used in the sub-assemblies.