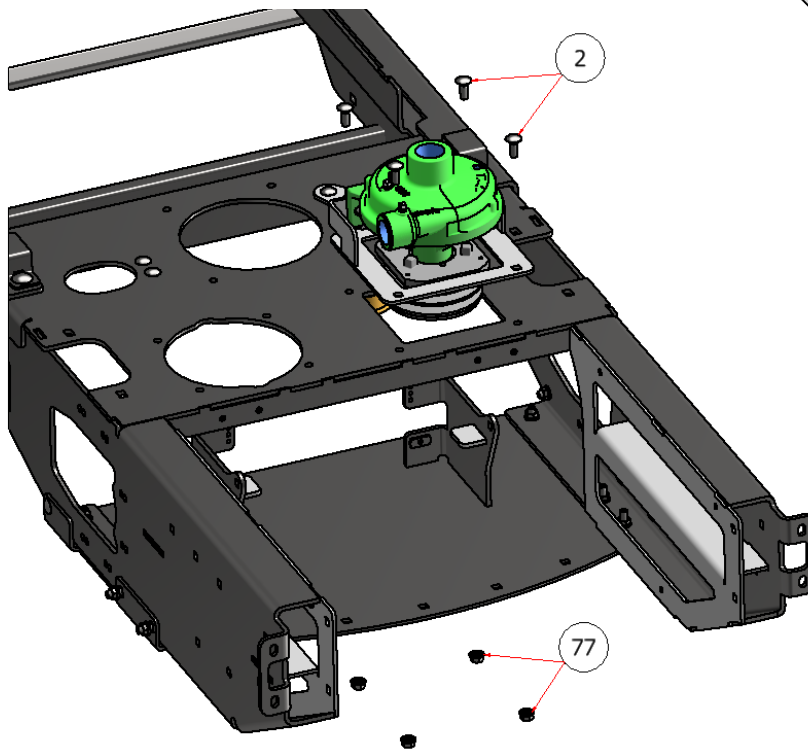
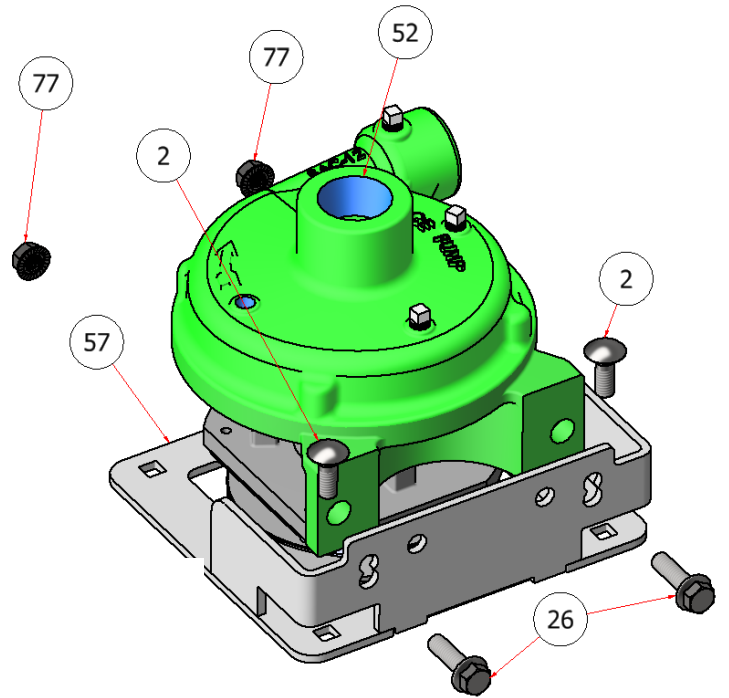


SGXL SPRAY PUMP

DRAWING NO. SGXLEV-022 REV. 2

STEELGREEN
MANUFACTURING™

PARTS LIST			
ITEM	QTY	PART NUMBER	TITLE
2	23	CB-381SS	CARRIAGE BOLT, SS - 3/8-16 x 1
26	4	HFSSC-38114	HEX FLANGE BOLT, SS - 3/8 X 1-1/4
52	1	FMC-CW-MAG-2	PUMP, BELT DRIVE
57	1	W21-305	BRACKET, BELT DRIVE PUMP
77	10	HFNCS-375S	HEX FLANGE NUT, 3/8

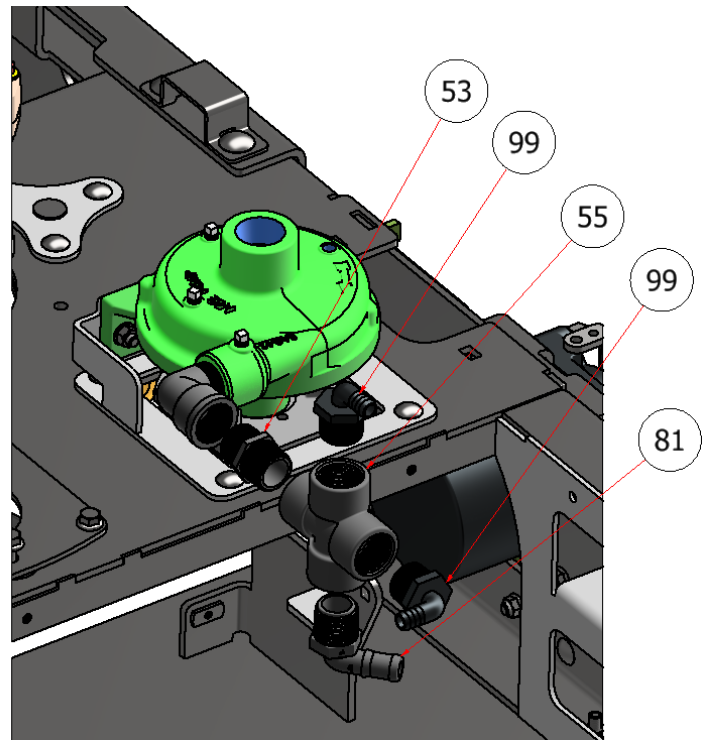
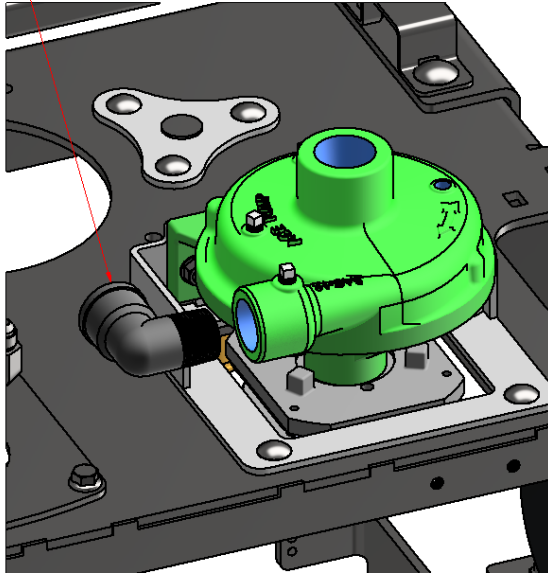


PARTS LIST			
ITEM	QTY	PART NUMBER	TITLE
2	23	CB-381SS	CARRIAGE BOLT, SS - 3/8-16 x 1
77	10	HFNCS-375S	HEX FLANGE NUT, 3/8

NOTE: Quantities in the parts list above are total per machine. Please note the quantities used in the sub-assemblies.

SGXL SPRAY PUMP

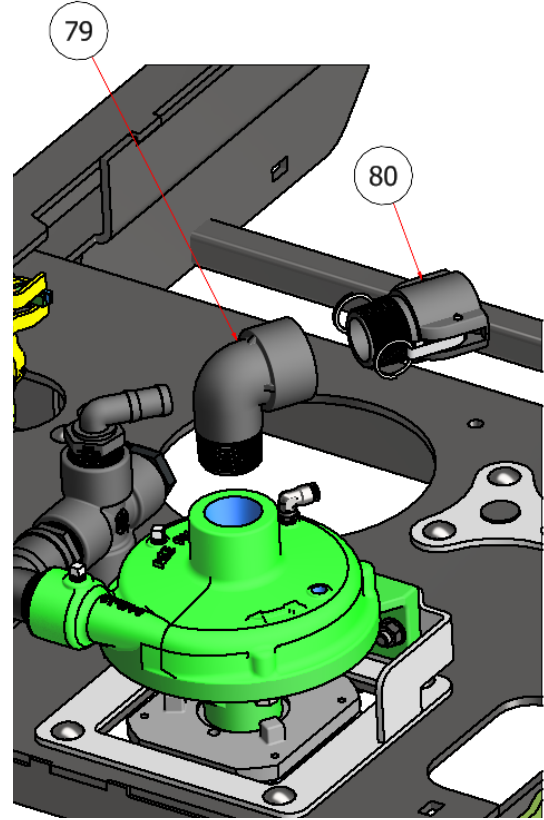
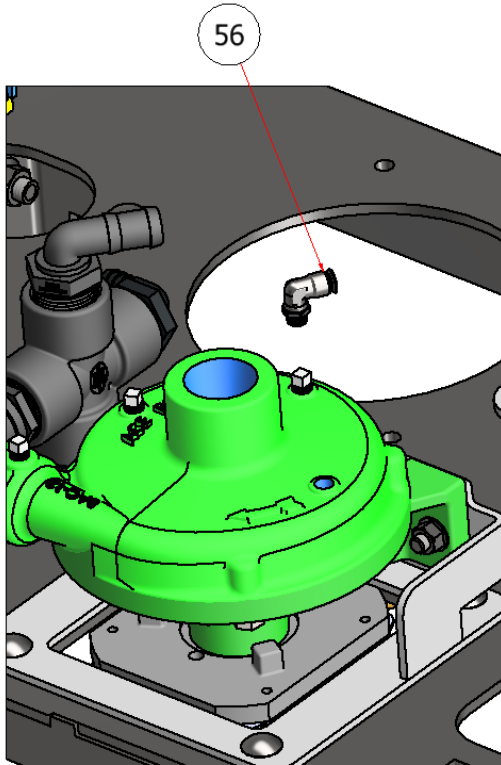
54



PARTS LIST			
ITEM	QTY	PART NUMBER	TITLE
53	1	S52063-1	1" NPT STG
54	1	S52041-1	1" NPT MALE X 1" NPT FEMALE
55	1	CR0100	FITTING, CROSS, 1"
81	1	S52031	1" NPT THD X 3/4" 90 HOSE BARB
99	2	S52039	ELBOW FITTING, 1"NPT X 1/2" BARB

NOTE: Quantities in the parts list above are total per machine. Please note the quantities used in the sub-assemblies.

SGXL SPRAY PUMP



PARTS LIST			
ITEM	QTY	PART NUMBER	TITLE
56	1	H84064	FITTING, PUSH LOCK, 1/8 NPT X 1/4 TUBE

PARTS LIST			
ITEM	QTY	PART NUMBER	TITLE
79	1	SL125-90	1 1/4" 90° STREET ELBOW
80	1	125B	CAM-LOCK, FEMALE, 1 X 1-1/4"

NOTE: Quantities in the parts list above are total per machine. Please note the quantities used in the sub-assemblies.