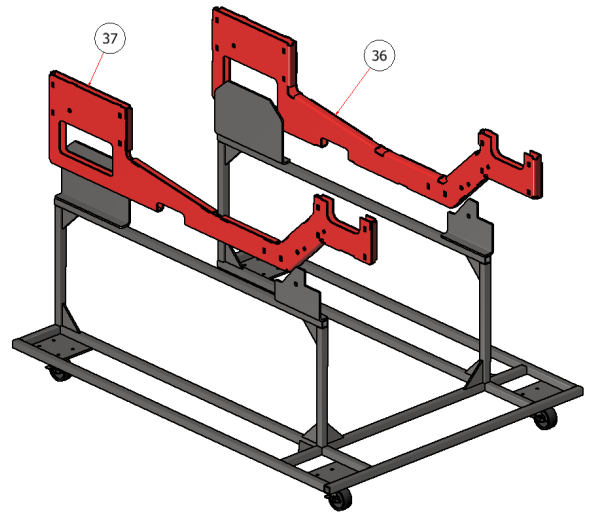
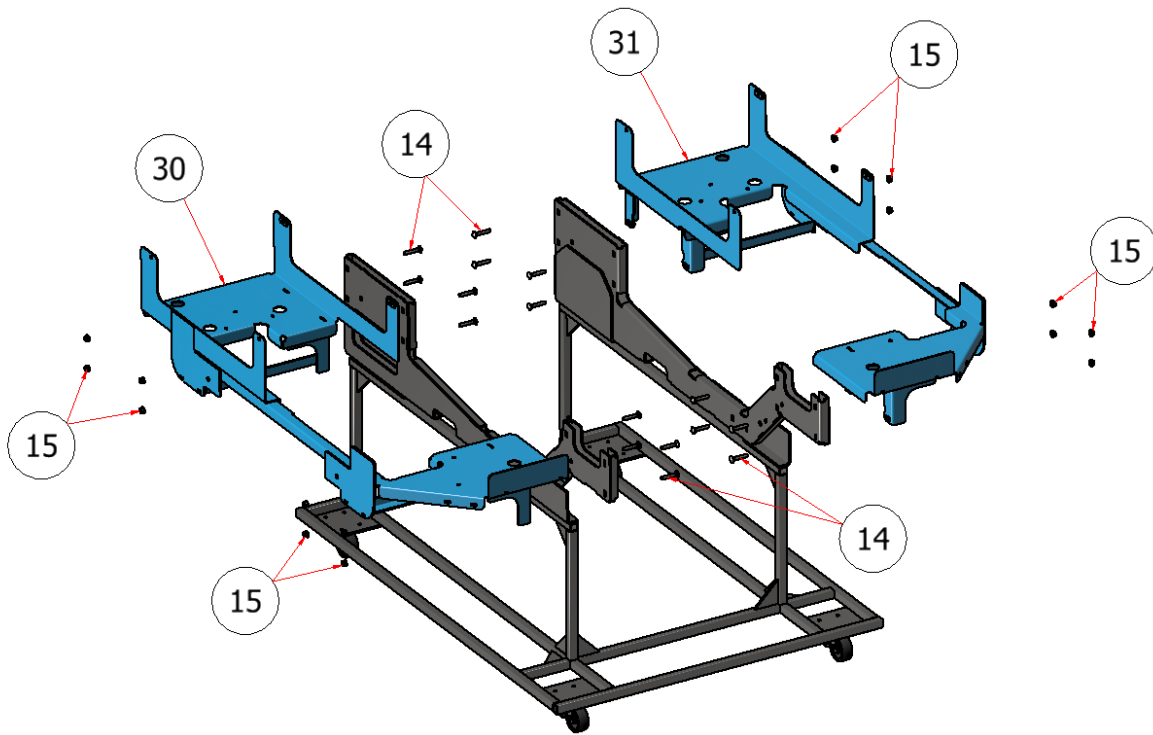


SGXL SPRAY SYSTEM

DRAWING NO. SGXLEV-041 REV. 2

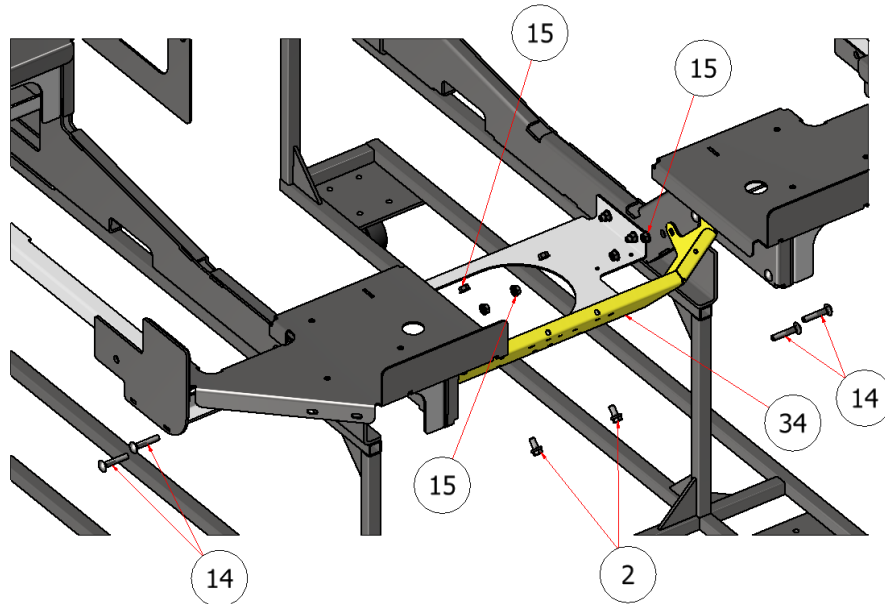
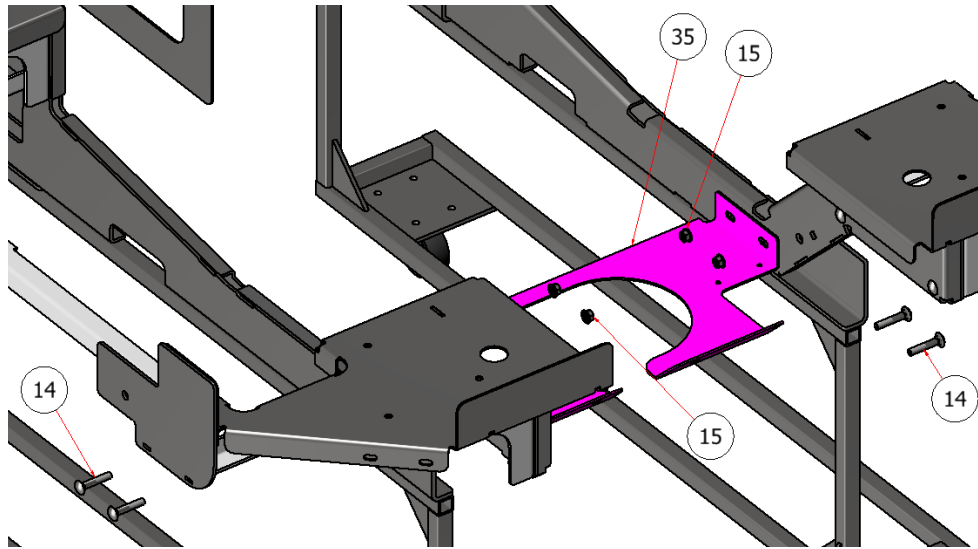


PARTS LIST			
ITEM	QTY	PART NUMBER	TITLE
36	1	W23-275-L	SIDE RAIL, SGXL SPRAY SYSTEM, LEFT
37	1	W23-275-R	SIDE RAIL, SGXL SPRAY SYSTEM, RIGHT



PARTS LIST			
ITEM	QTY	PART NUMBER	TITLE
14	24	CB-33752SS	CARRIAGE BOLT, 38 X 2
15	32	HFNC3-375S	HEX FLANGE NUT, 3/8
30	1	W23-265	TANK FRAME, SGXL SPRAY SYSTEM, RIGHT
31	1	W23-265_L	TANK FRAME, SGXL SPRAY SYSTEM, RIGHT

NOTE: Quantities in the parts list above are total per machine. Please note the quantities used in the sub-assemblies.



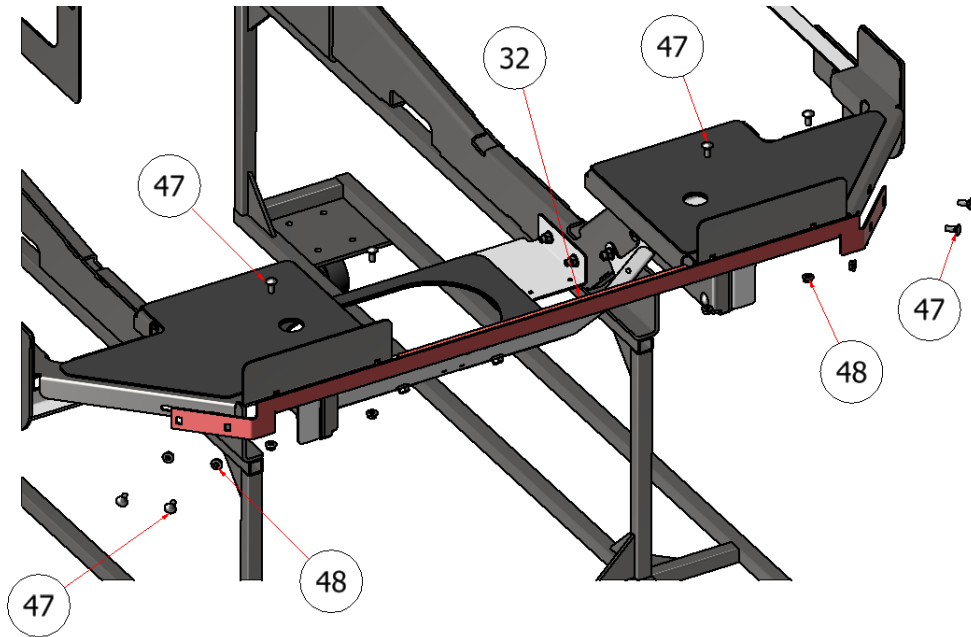
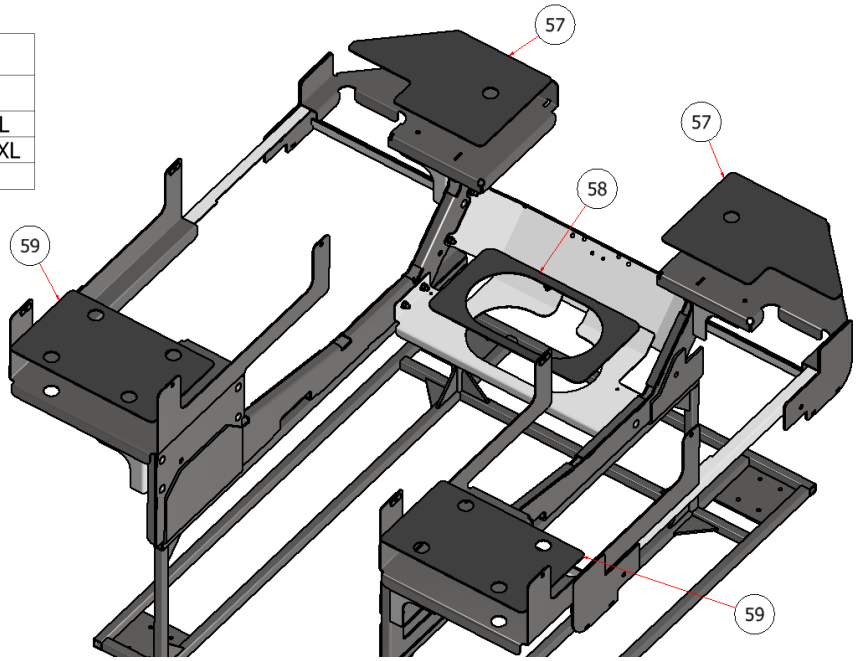
PARTS LIST			
ITEM	QTY	PART NUMBER	TITLE
2	26	HFSSC-3875	HEX BOLT, 3/8 X 3/4
14	24	CB-33752SS	CARRIAGE BOLT, 3/8 X 2
15	32	HFNC3-375S	HEX FLANGE NUT, 3/8
34	1	R23-273	SS SGXL SPRAY PUMP ASSEMBLY MOUNT
35	1	R23-274	SS SGXL TANK SUPPORT BRACKET

NOTE: Quantities in the parts list above are total per machine. Please note the quantities used in the sub-assemblies.

SGXL SPRAY SYSTEM

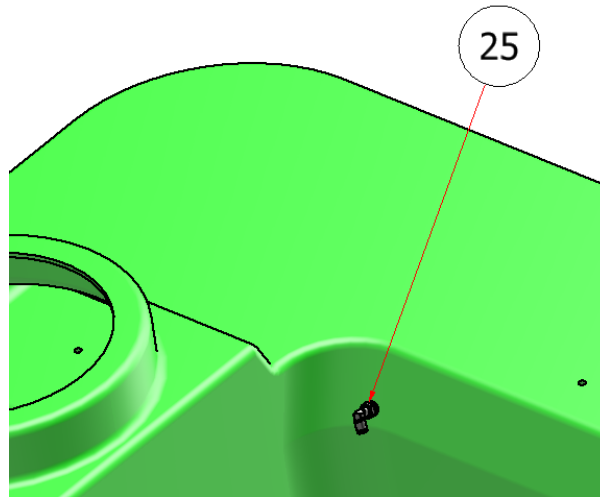
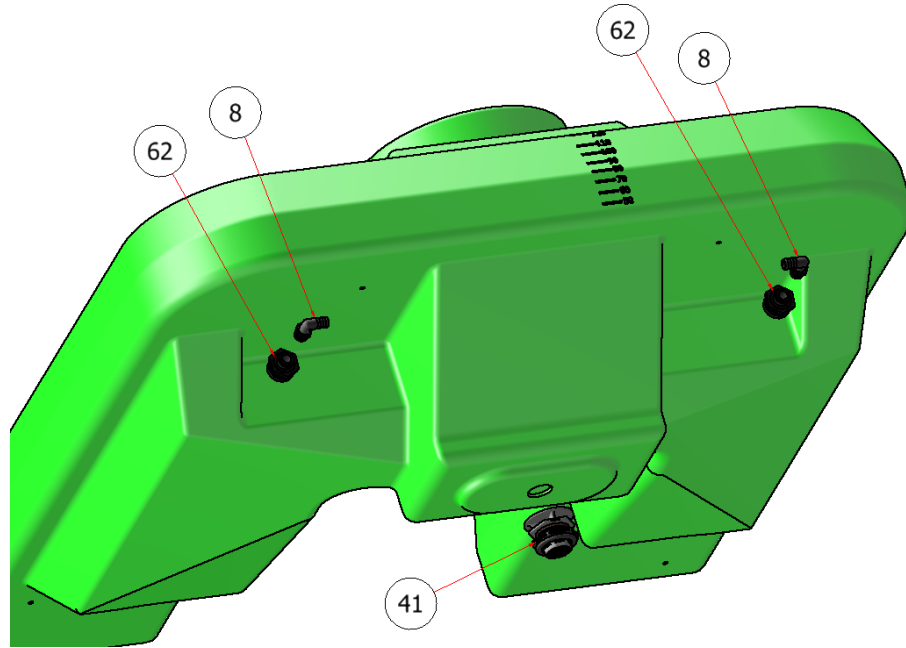


PARTS LIST			
ITEM	QTY	PART NUMBER	TITLE
57	2	C60381	TANK PAD, FRONT, SGXL
58	1	C60382	TANK PAD, CENTER, SGXL
59	2	C60380	TANK PAD, REAR, SGXL



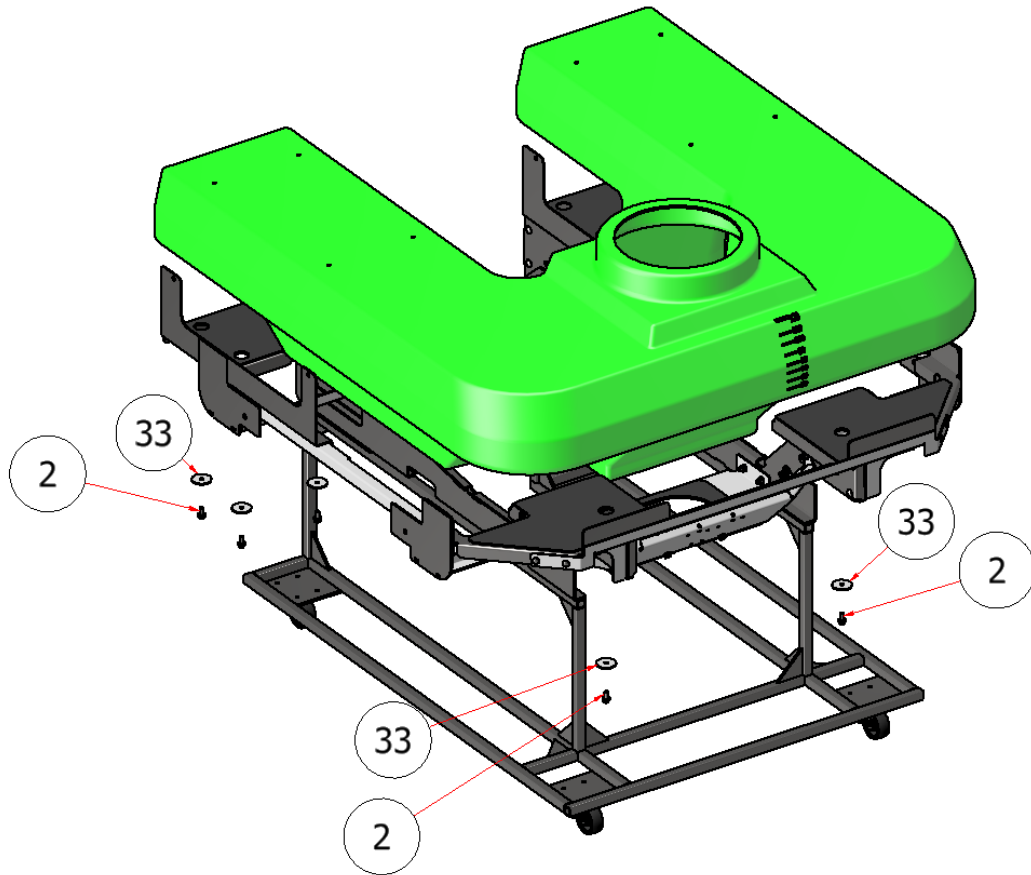
PARTS LIST			
ITEM	QTY	PART NUMBER	TITLE
32	1	R23-271	SS SGXL TANK MOUNT CROSS SUPPORT
47	8	CB-51634	CARRIAGE BOLT, SS - 5/16-18 x 3/4
48	8	HFNCS-516S	HEX FLANGE NUT, 5/16

NOTE: Quantities in the parts list above are total per machine. Please note the quantities used in the sub-assemblies.



PARTS LIST			
ITEM	QTY	PART NUMBER	TITLE
8	2	S52029	BARB, 3/4 MPT x 3/4 BARB 90
25	1	H84065	FITTING, PUSH LOCK, 3/8 NPT X 1/4 TUBE
41	1	TF125AV	BULKHEAD, ANTI VORTEX, 1-1/4"
62	2	S51241	BULKHEAD, 3/4

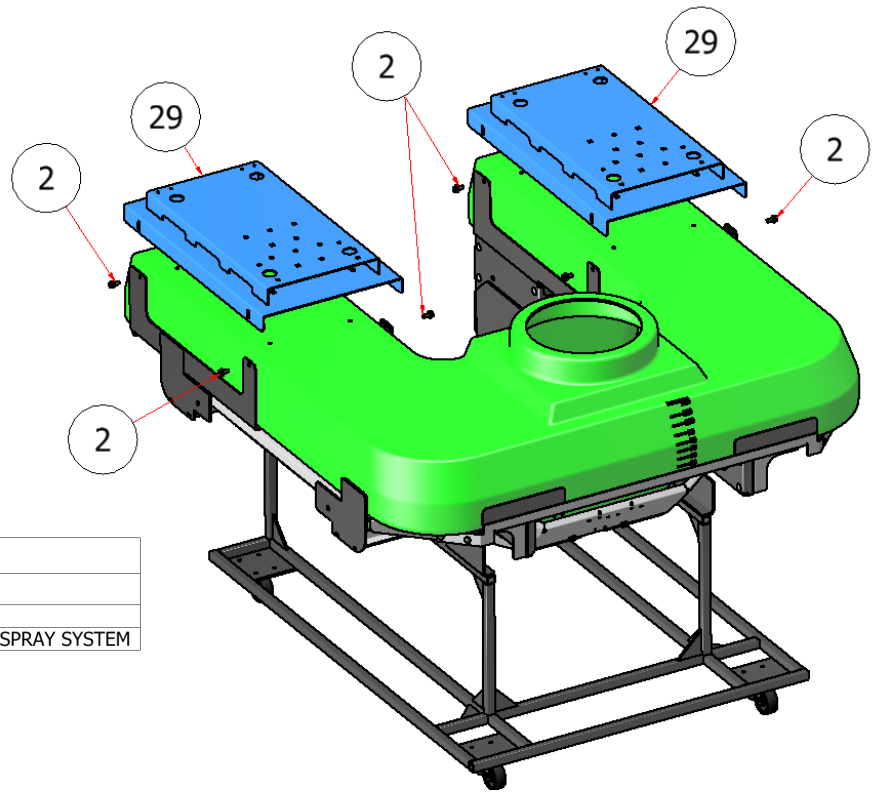
NOTE: Quantities in the parts list above are total per machine. Please note the quantities used in the sub-assemblies.



PARTS LIST			
ITEM	QTY	PART NUMBER	TITLE
2	26	HFSSC-3875	HEX BOLT, 3/8 X 3/4
33	8	R23-272	SS SGXL TANK FRAME WASHER

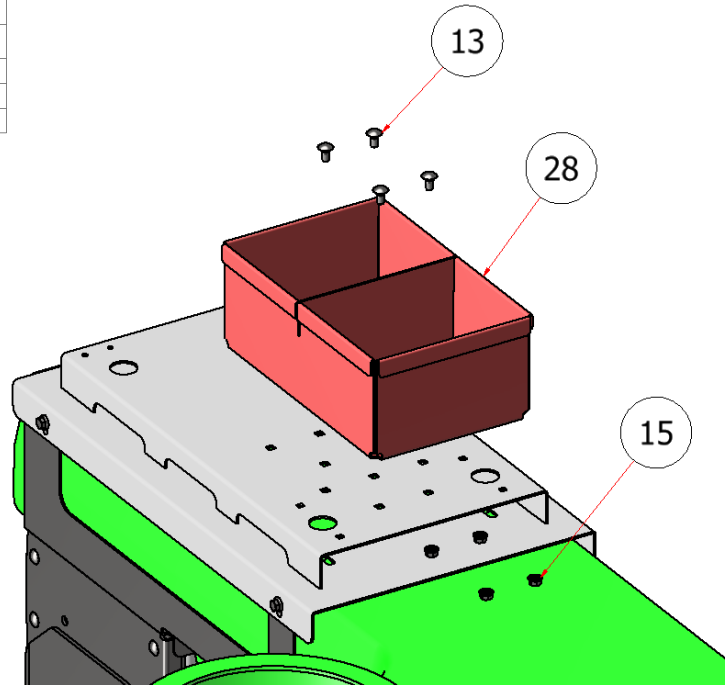
NOTE: Quantities in the parts list above are total per machine. Please note the quantities used in the sub-assemblies.

SGXL SPRAY SYSTEM

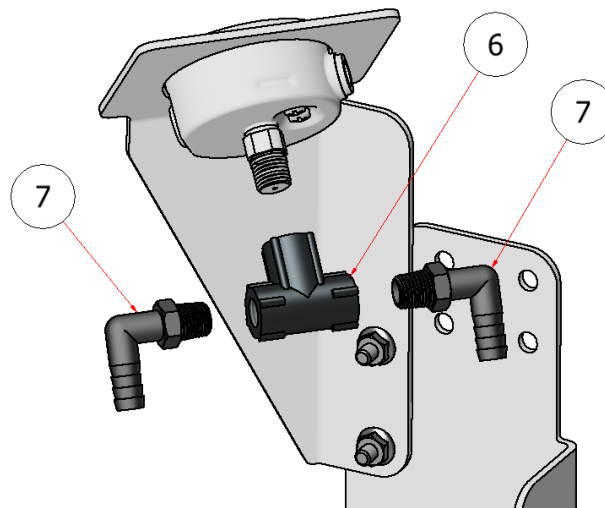
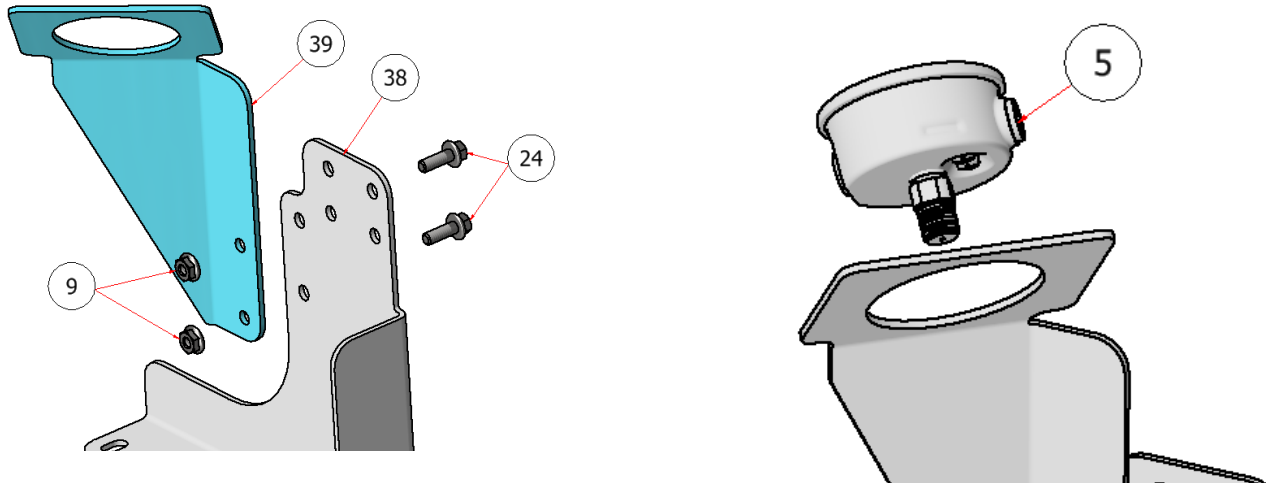


PARTS LIST			
ITEM	QTY	PART NUMBER	TITLE
2	26	HFSSC-3875	HEX BOLT, 3/8 X 3/4
29	2	W23-263	TANK PLATE ASSY., SGXL SPRAY SYSTEM

PARTS LIST			
ITEM	QTY	PART NUMBER	TITLE
13	10	CB-3834SS	CARRIAGE BOLT, SS - 3/8-16 x 3/4
15	32	HFNC3-375S	HEX FLANGE NUT, 3/8
28	1	W23-261	CHEM TRAY, SGXL, SPRAY SYSTEM



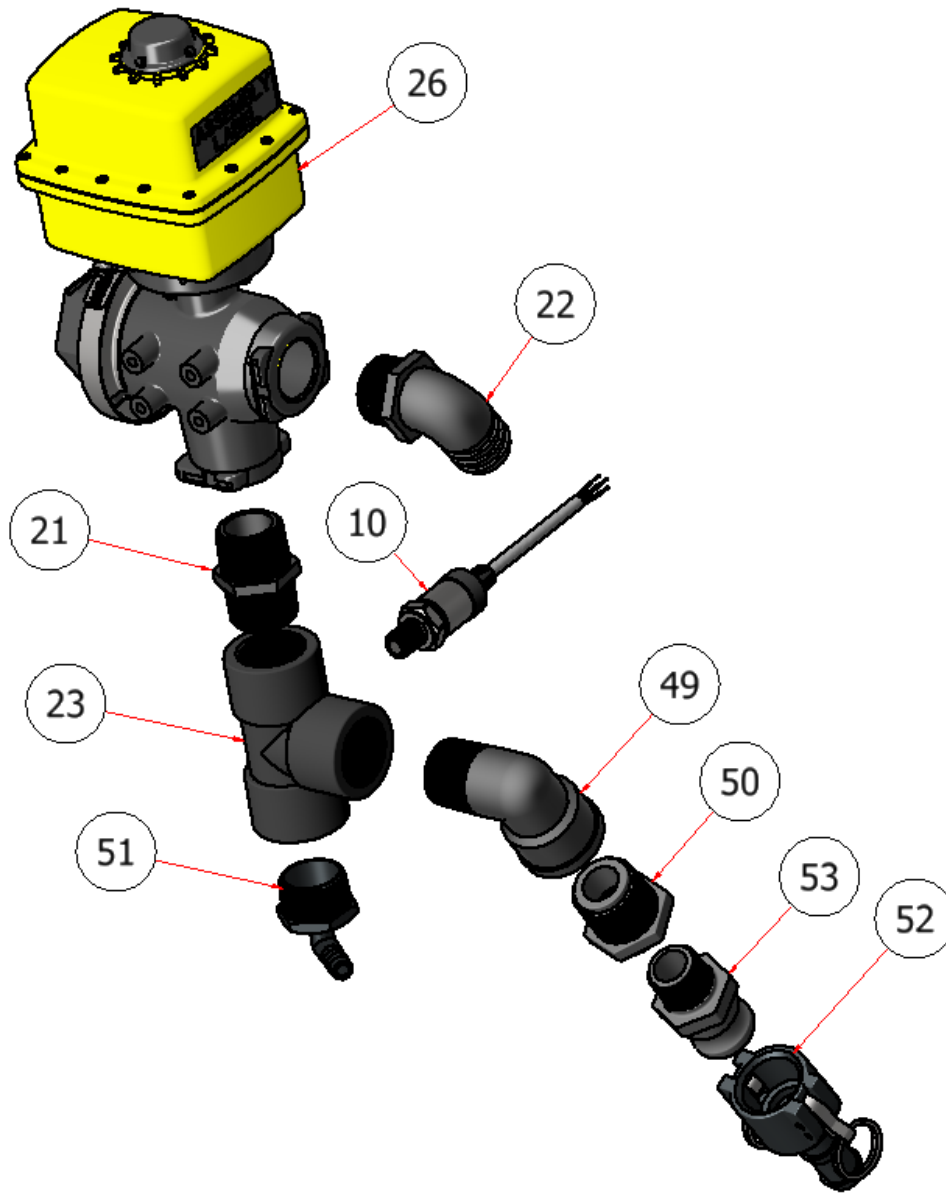
NOTE: Quantities in the parts list above are total per machine. Please note the quantities used in the sub-assemblies.



PARTS LIST			
ITEM	QTY	PART NUMBER	TITLE
5	1	S51238	PRESSURE GAUGE, 60 PSI
9	4	HFNC5-14SS	HEX FLANGE NUT, 1/4-20
24	6	HFSSC-1475	HEX FLANGE BOLT, 1/4 X 3/4
38	1	R23-278	SS SGXL MANIFOLD MOUNT
39	1	R23-279	SS SGXL PRESSURE GAUGE MOUNT

PARTS LIST			
ITEM	QTY	PART NUMBER	TITLE
6	1	S52003	TEE FITTING, 1/4 FEMALE
7	2	S52021	ELBOW, 90, 1/4 NPT X 3/8 BARB

NOTE: Quantities in the parts list above are total per machine. Please note the quantities used in the sub-assemblies.



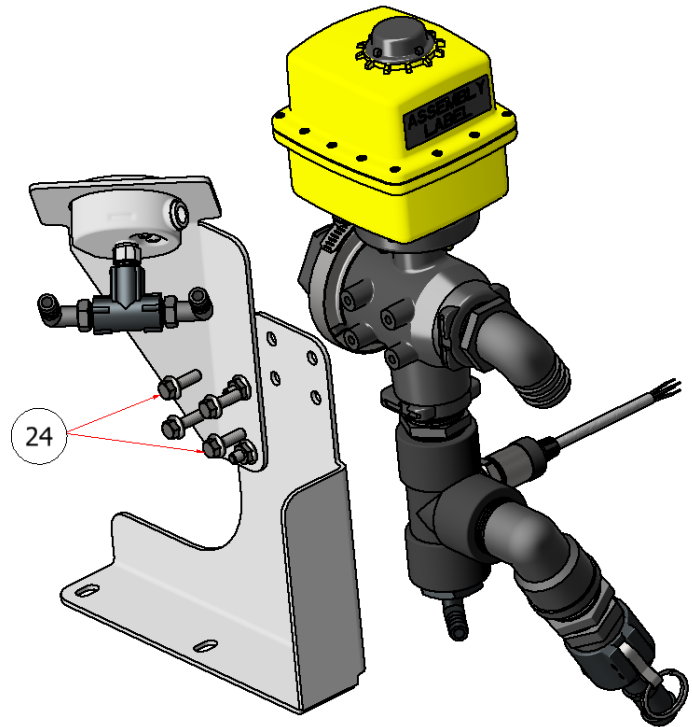
PARTS LIST			
ITEM	QTY	PART NUMBER	TITLE
10	1	S54034	SENSOR, PRESSURE
21	1	S52063-1	1" NPT STG
22	1	S52101-90	1" NPT X 1" BARB ELBOW
23	1	TT10014P	1 FNPT, PIPE TEE, 1/4 FNPT GAUGE PORT
26	1	S54043	KZ VALVE, 1"
49	1	S52041-1	1" NPT MALE X 1" NPT FEMALE
50	1	S52052	BUSHING, REDUCER, 1" X 3/4"
51	1	S52049	BARB FITTING, 1" NPT X 3/8" BARB
52	1	075C	CAM LOCK, 3/4 X 3/4 BARB
53	1	075F	QD FITTING, 3/4, MNPT

NOTE: Quantities in the parts list above are total per machine. Please note the quantities used in the sub-assemblies.

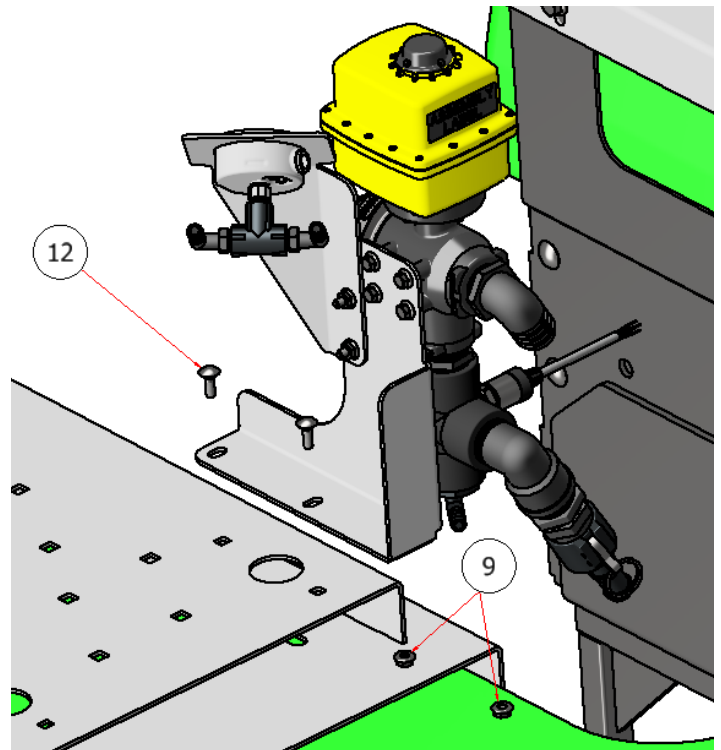
SGXL SPRAY SYSTEM



PARTS LIST			
ITEM	QTY	PART NUMBER	TITLE
24	6	HFSSC-1475	HEX FLANGE BOLT, 1/4 X 3/4



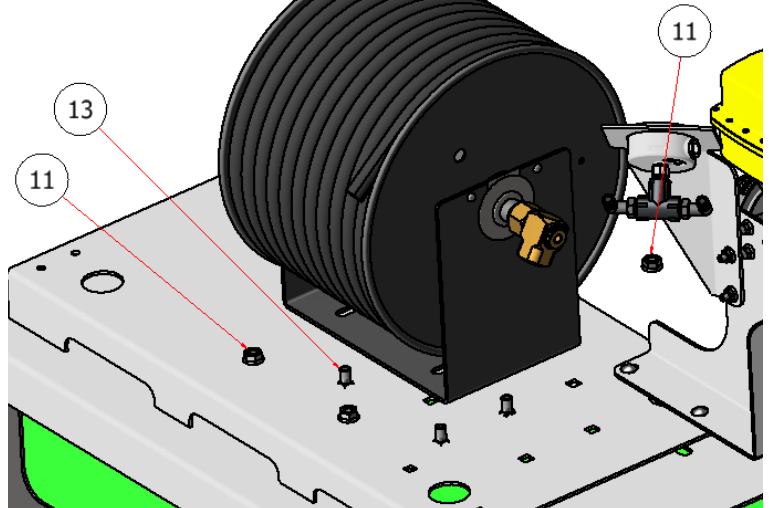
PARTS LIST			
ITEM	QTY	PART NUMBER	TITLE
9	4	HFNCS-14SS	HEX FLANGE NUT, 1/4-20
12	2	CB-2575SS	CARRIAGE BOLT, 1/4" X 3/4" SS



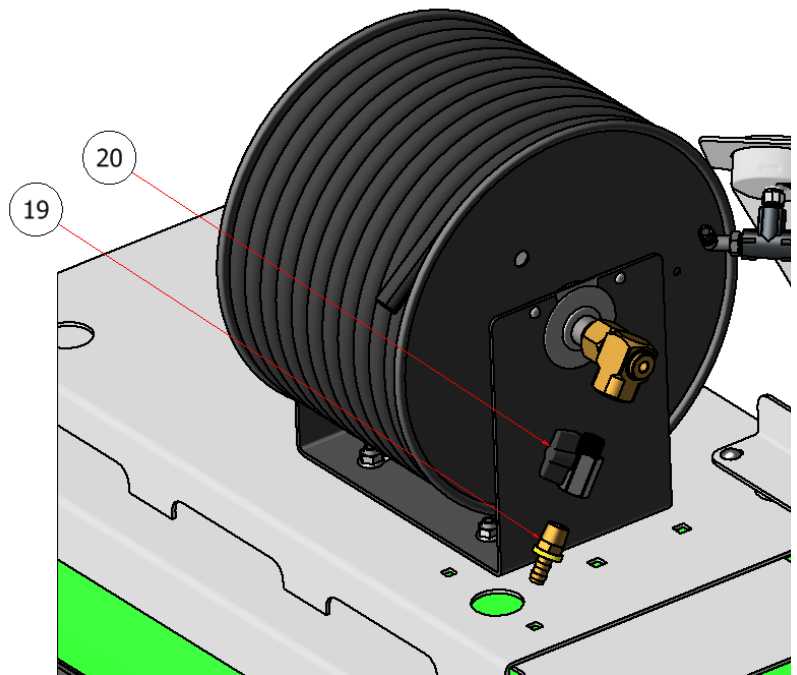
NOTE: Quantities in the parts list above are total per machine. Please note the quantities used in the sub-assemblies.

SGXL SPRAY SYSTEM

PARTS LIST			
ITEM	QTY	PART NUMBER	TITLE
11	4	HFNCS-38S	HEX FLANGE NUT, SS - 3/8-16
13	10	CB-3834SS	CARRIAGE BOLT, SS - 3/8-16 x 3/4



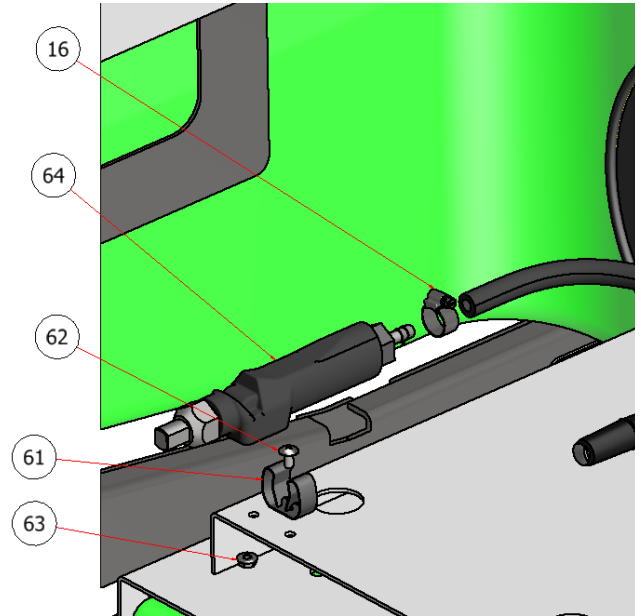
PARTS LIST			
ITEM	QTY	PART NUMBER	TITLE
19	1	H84023	FITTING, HOSE REEL, 3/8 BARB, BRASS
20	1	S512777	BALL VALVE, 3/8



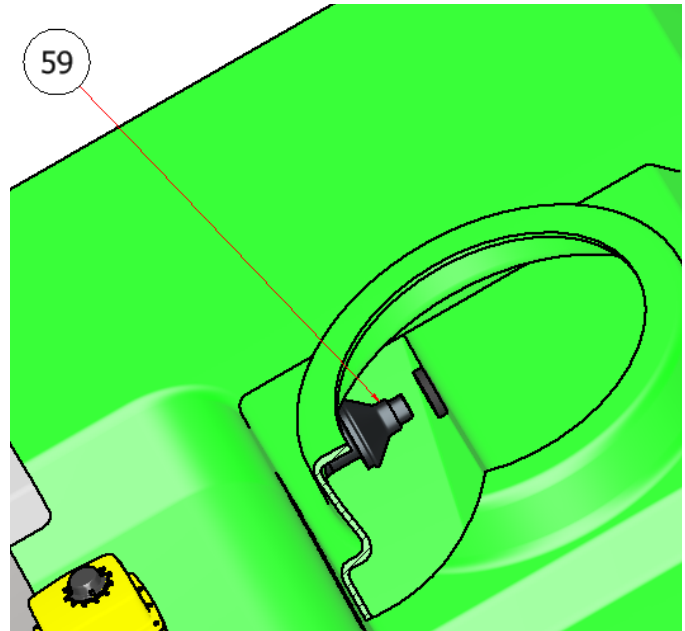
NOTE: Quantities in the parts list above are total per machine. Please note the quantities used in the sub-assemblies.

SGXL SPRAY SYSTEM

PARTS LIST			
ITEM	QTY	PART NUMBER	TITLE
16	5	MS4	HOSE CLAMP, 3/8
61	1	S53018	TOOL CLIP
62	1	TRPC-145S	PHILLIPS SCREW, 1/4" X 1/2"
63	1	HFNCS-14S	HEX NUT, 1/4
64	1	DS2	SPRAY GUN, DRAMM



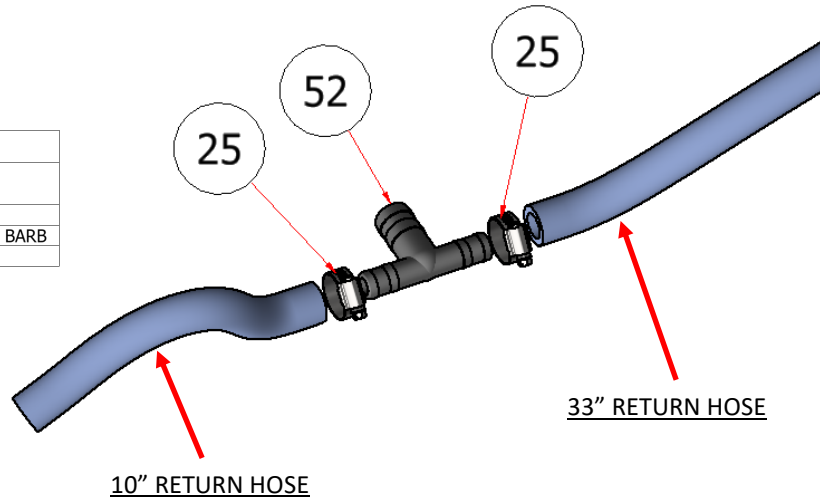
PARTS LIST			
ITEM	QTY	PART NUMBER	TITLE
59	2	S54008	TANK MIXING NOZZLE, 3/4"



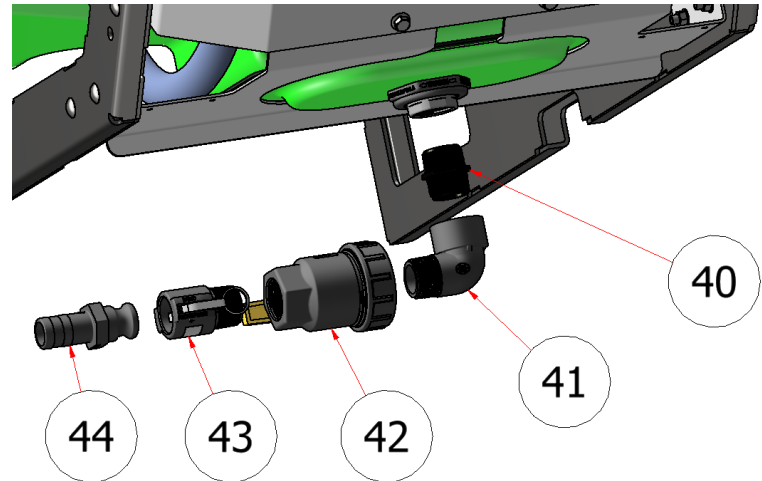
NOTE: Quantities in the parts list above are total per machine. Please note the quantities used in the sub-assemblies.

SGXL SPRAY SYSTEM

PARTS LIST			
ITEM	QTY	PART NUMBER	TITLE
25	4	12HS	HOSE CLAMP, 3/4"
52	1	22FM99	TEE FITTING, 1" BARB X 3/4" BARB X 3/4" BARB
65	1	10536	STRAINER BASKET, 12"



PARTS LIST			
ITEM	QTY	PART NUMBER	TITLE
40	1	3M114	PIPE NIPPLE, 1-1/4"
41	1	3SE114	STREET ELBOW, 1-1/4"
42	1	S52104	BALL VALVE, 1-1/4"
43	1	125B	CAM-LOCK, FEMALE, 1 X 1-1/4"
44	1	125E	CAM-LOCK, 1 X 1-1/4"

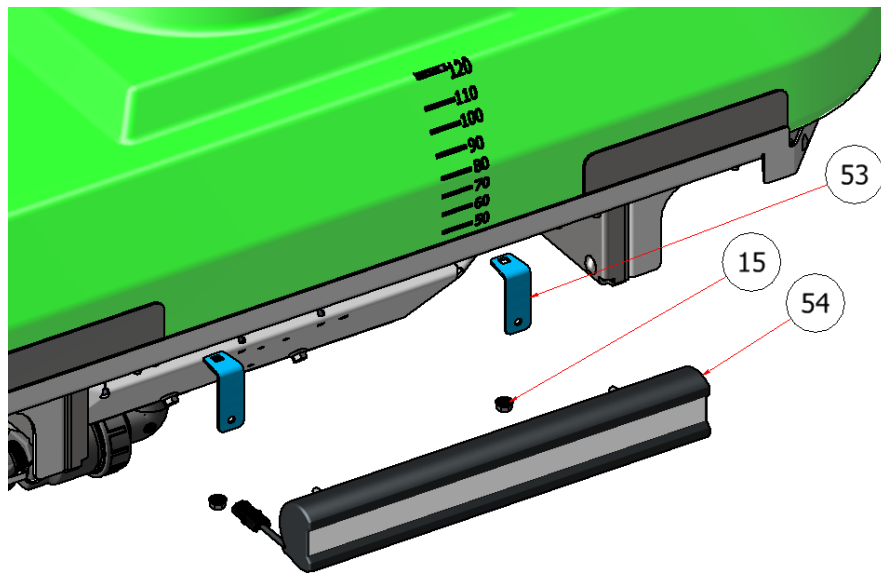
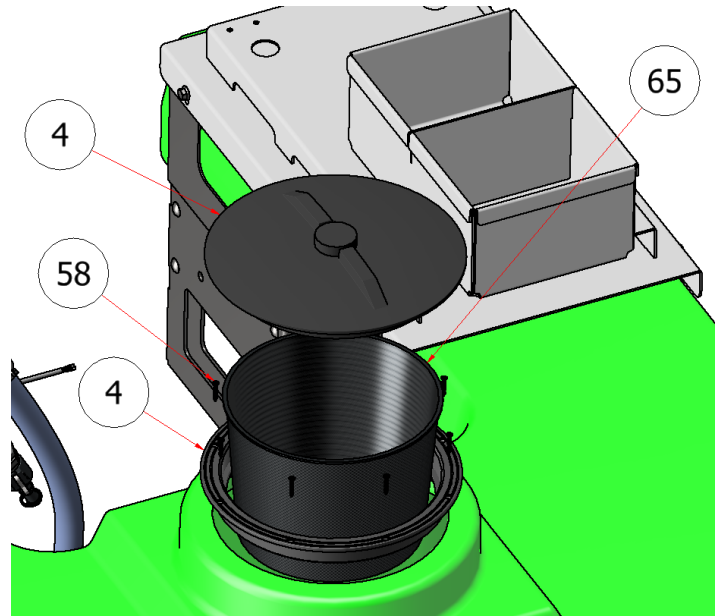


NOTE: Quantities in the parts list above are total per machine. Please note the quantities used in the sub-assemblies.

SGXL SPRAY SYSTEM

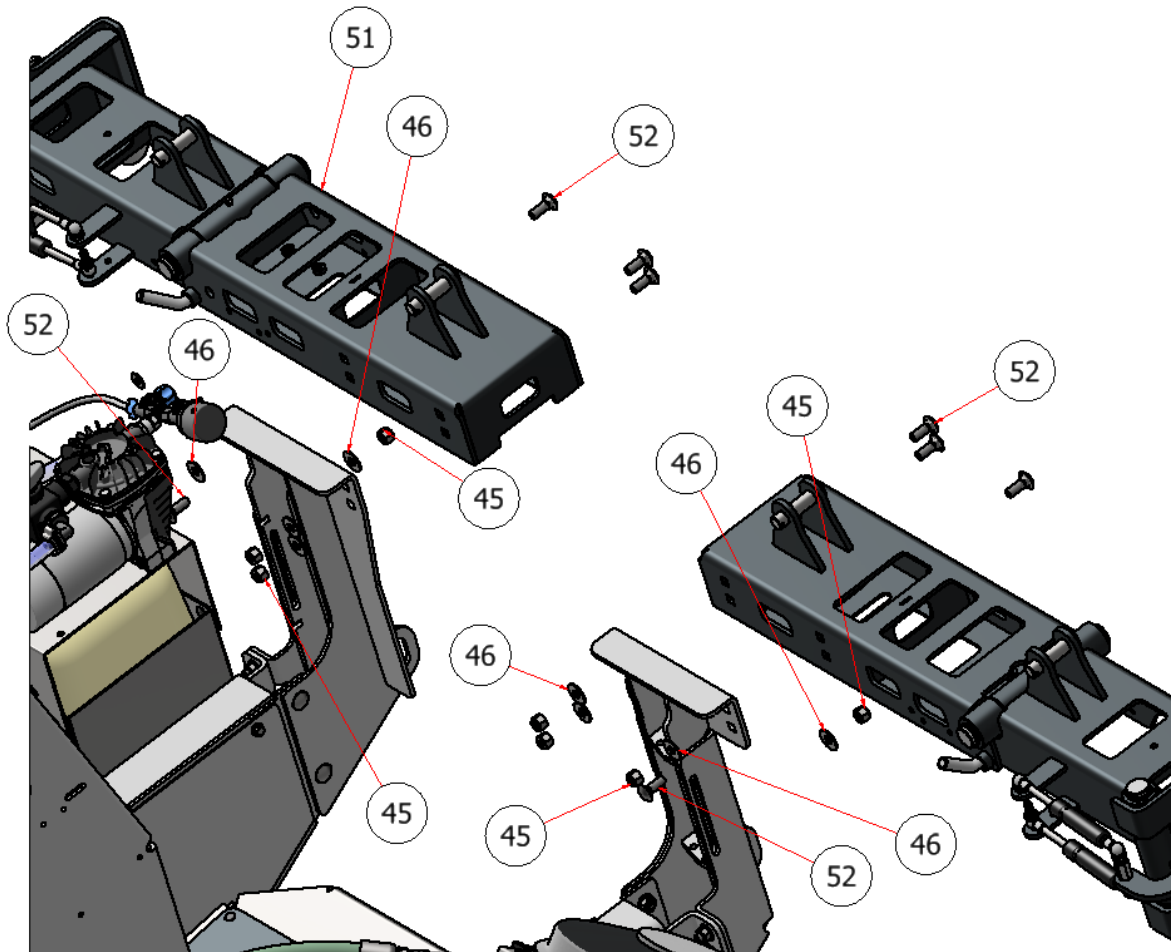


PARTS LIST			
ITEM	QTY	PART NUMBER	TITLE
4	1	10527	TANK LID & RING, 12"
58	8	PP-10114SS	SCREW, FLAT, SELF TAP, #10 X 1-1/4"
65	1	10536	STRAINER BASKET, 12"



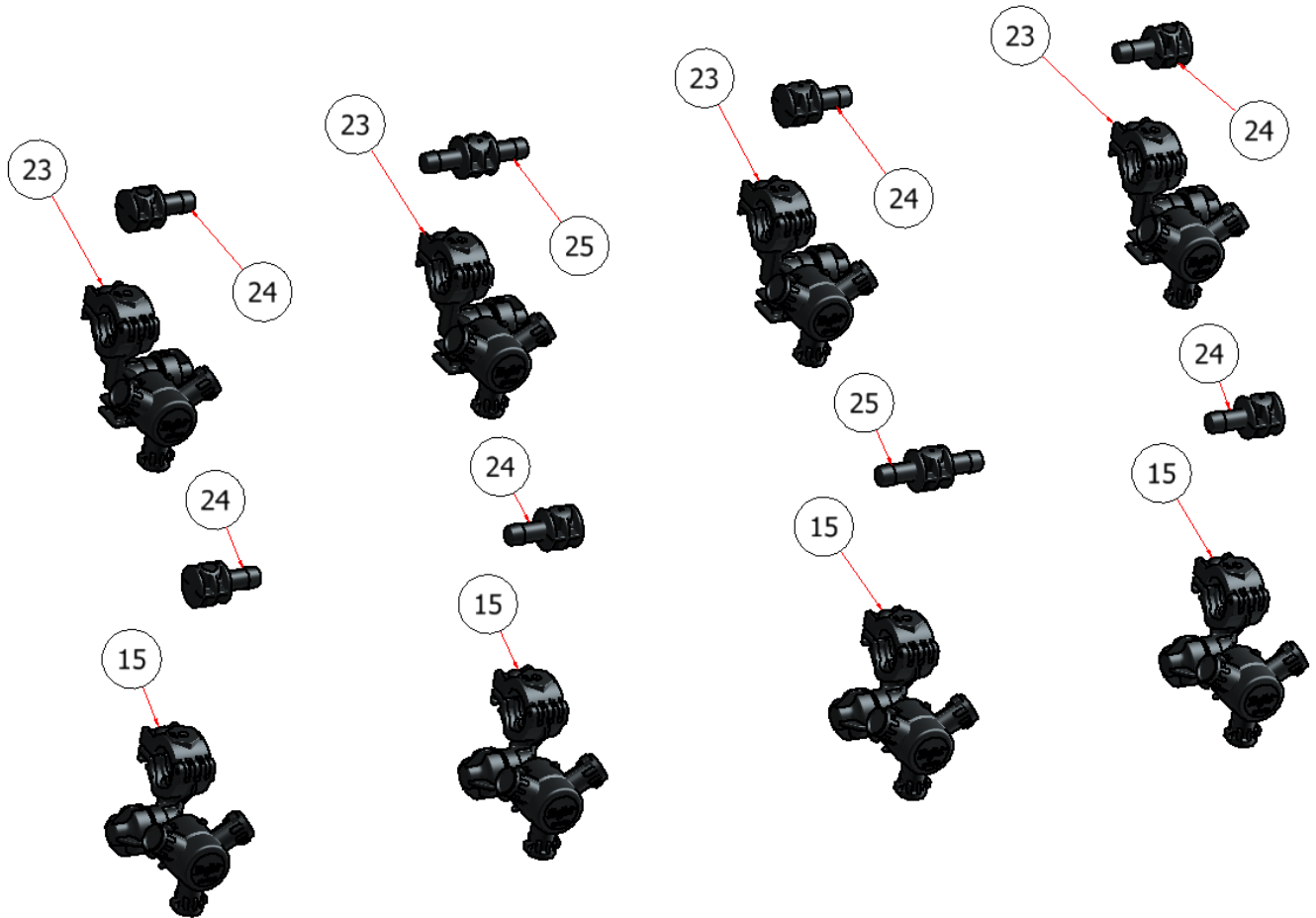
PARTS LIST			
ITEM	QTY	PART NUMBER	TITLE
15	32	HFNCS-375S	HEX FLANGE NUT, 3/8
53	2	R23-256	SS SGXL LIGHT BAR MOUNT
54	1	E40210	LIGHT BAR, LED

NOTE: Quantities in the parts list above are total per machine. Please note the quantities used in the sub-assemblies.



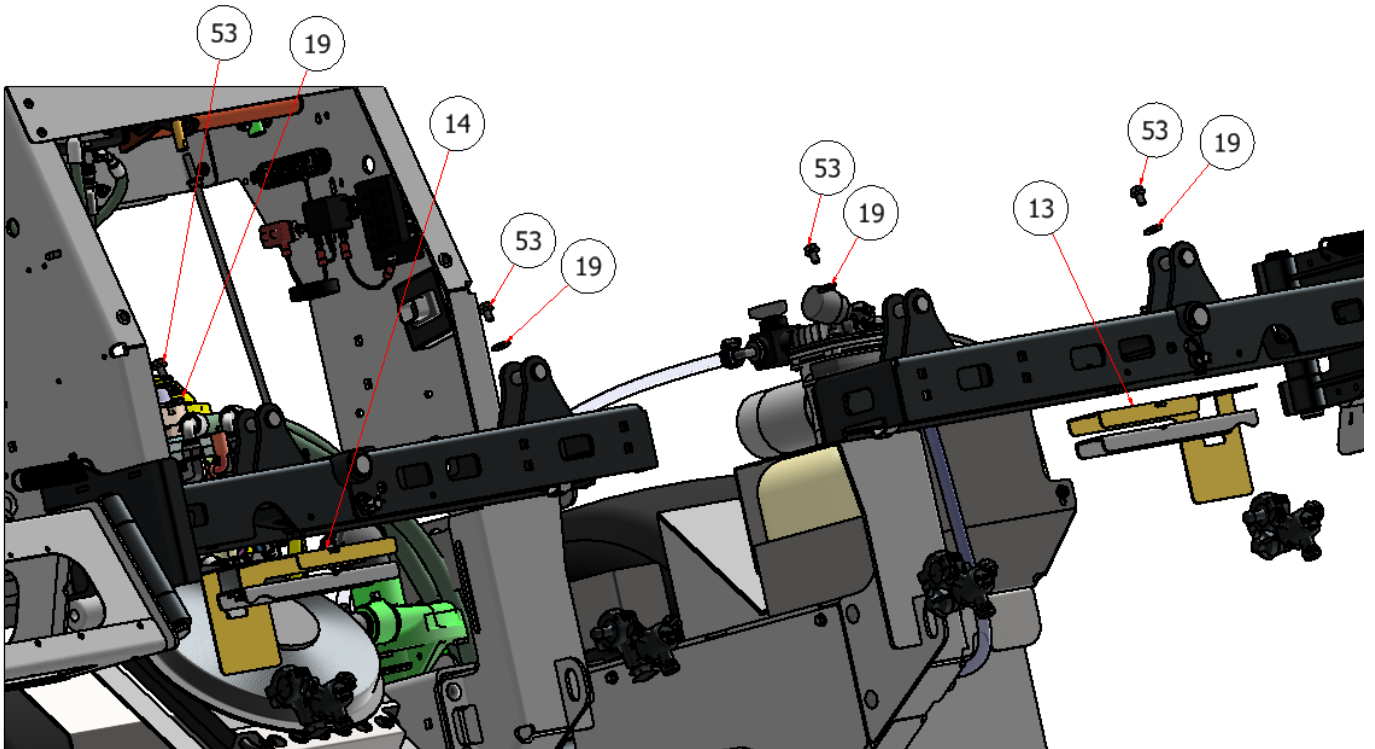
PARTS LIST			
ITEM	QTY	PART NUMBER	TITLE
45	8	SSNNC-38	NYLOCK, SS - 3/8-16
46	8	FWSS-38	FLAT WASHER, SS - 3/8
47	1	125E	CAM-LOCK, 1 X 1-1/4
51	1	S51499	SPRAY BOOM ASSEMBLY, 14FT.
52	8	CB-381SS	CARRIAGE BOLT, SS - 3/8-16 x 1

NOTE: Quantities in the parts list above are total per machine. Please note the quantities used in the sub-assemblies.



PARTS LIST			
ITEM	QTY	PART NUMBER	TITLE
15	4	QJ373-L-3/4-NYB	SPRAY NOZZLE, TEEJET, QJ370
23	4	QJ373-0.750 (1)	NOZZLE BODY, TEE-JET, SGXL, LEFT
24	6	CP38936	FITTING, TEEJET SPRAY VALVE 1/2" BARB
25	2	38937-NYB	TEE FITTING, TEE-JET SPRAY VALVE, 1/2" BARB

NOTE: Quantities in the parts list above are total per machine. Please note the quantities used in the sub-assemblies.



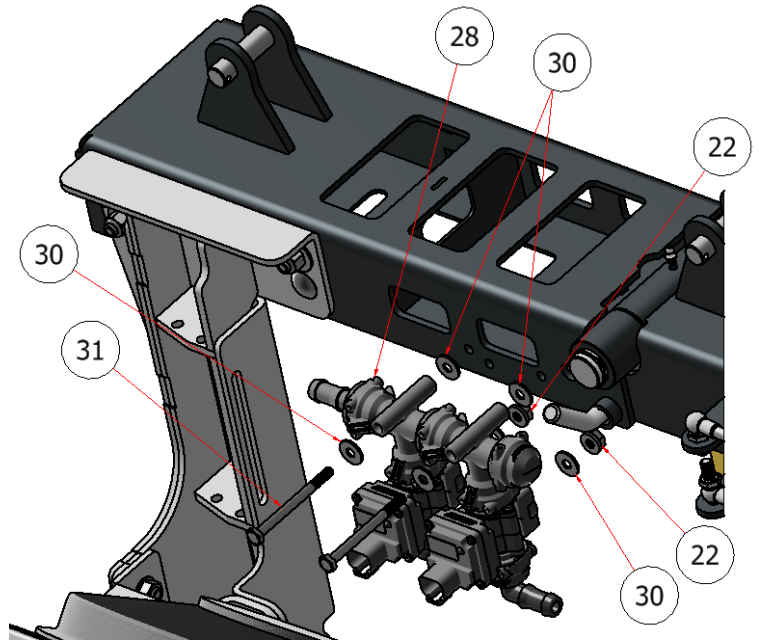
PARTS LIST			
ITEM	QTY	PART NUMBER	TITLE
13	1	R23-313-R	SGXL CENTER NOZZLE PROTECTOR BRACKET, RIGHT
14	1	R23-313-L	SGXL CENTER NOZZLE PROTECTOR BRACKET, LEFT
19	8	FWSS-516	FLAT WASHER, 5/16
53	8	HFSSC-31350	HEX BOLT, 3/8" X 1/2" SS

NOTE: Quantities in the parts list above are total per machine. Please note the quantities used in the sub-assemblies.

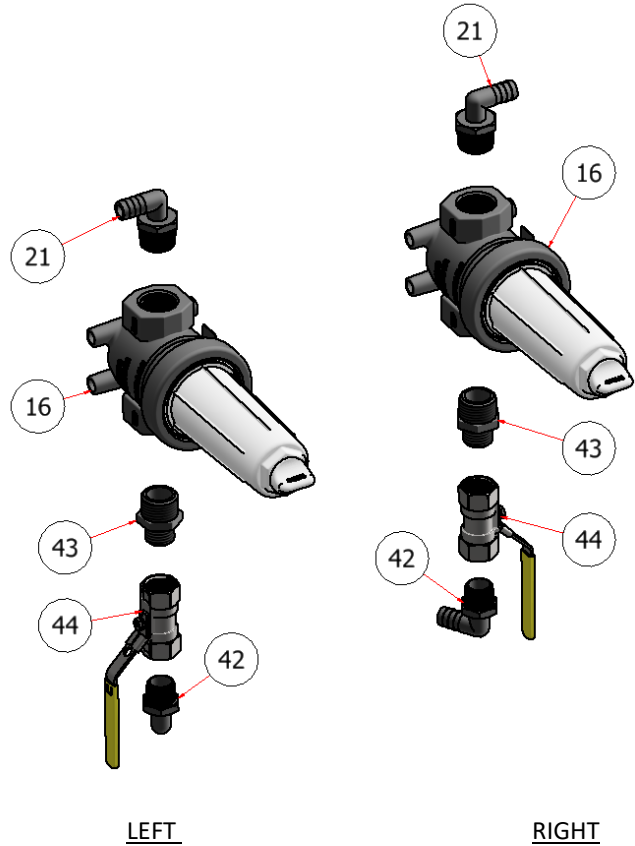
SGXL SPRAY SYSTEM



PARTS LIST			
ITEM	QTY	PART NUMBER	TITLE
22	10	HFNC5-25S	HEX FLANGE NUT, 1/4
28	1	S54041-L	ASSEMBLY, SPRAY VALVE, SGXL, LEFT
29	1	S54041-R	ASSEMBLY, SPRAY VALVE, SGXL, LEFT
30	16	FWSS-14	FLAT WASHER, SS - 1/4
31	4	HFSSC-143	HEX BOLT, 1/4 X 3 SS



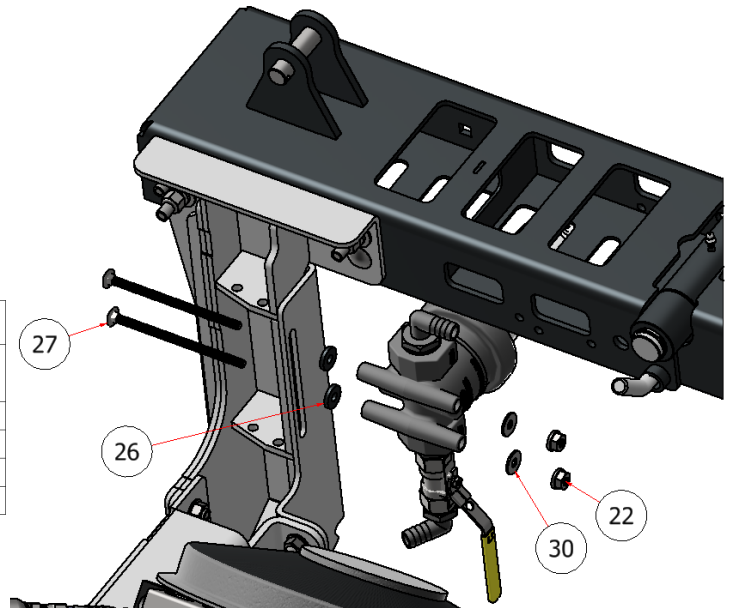
PARTS LIST			
ITEM	QTY	PART NUMBER	TITLE
16	2	S51278	3/4" T-STRAINER, 50 MESH
21	2	S52028	ELBOW, 3/4 X 1/2 BARB
42	2	S52025	1/2 MPT X 1/2 BARB
43	2	S52064	3/4 X 1/2 REDUCER
44	2	S51296-1/2	BALL VALVE, 1/2"SS



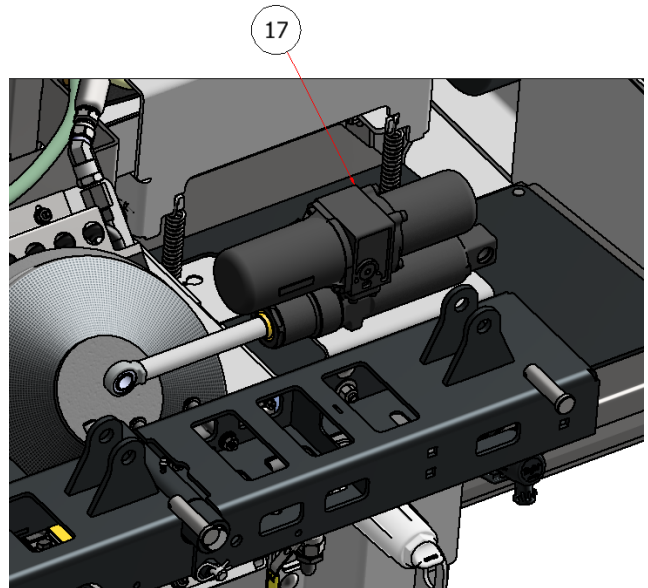
NOTE: Quantities in the parts list above are total per machine. Please note the quantities used in the sub-assemblies.

SGXL SPRAY SYSTEM

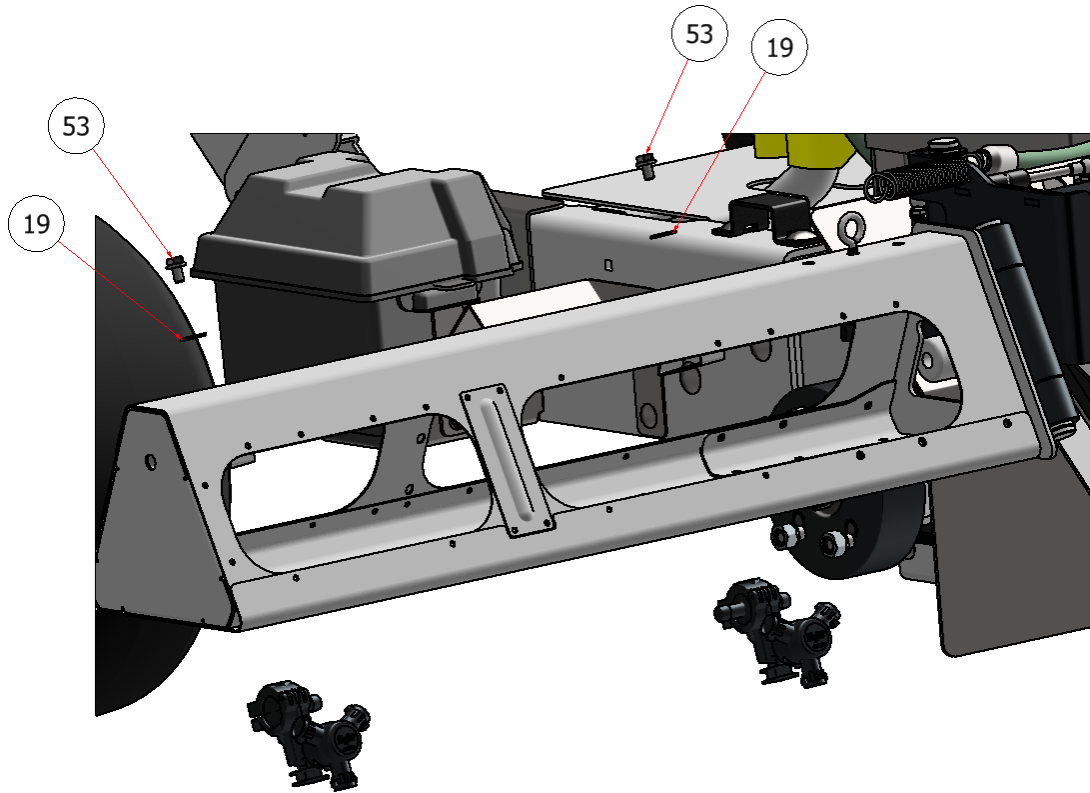
PARTS LIST			
ITEM	QTY	PART NUMBER	TITLE
22	10	HFNCS-25S	HEX FLANGE NUT, 1/4
26	4	NFW-14B	FLAT WASHER, 1/4", PLASTIC
27	4	CB-14450SS	CARRIAGE BOLT, 1/4 X 4-1/2 SS
30	16	FWSS-14	FLAT WASHER, SS - 1/4



PARTS LIST			
ITEM	QTY	PART NUMBER	TITLE
17	2	E4200-01477	LIFT CYLINDER, EOH, 6" STROKE



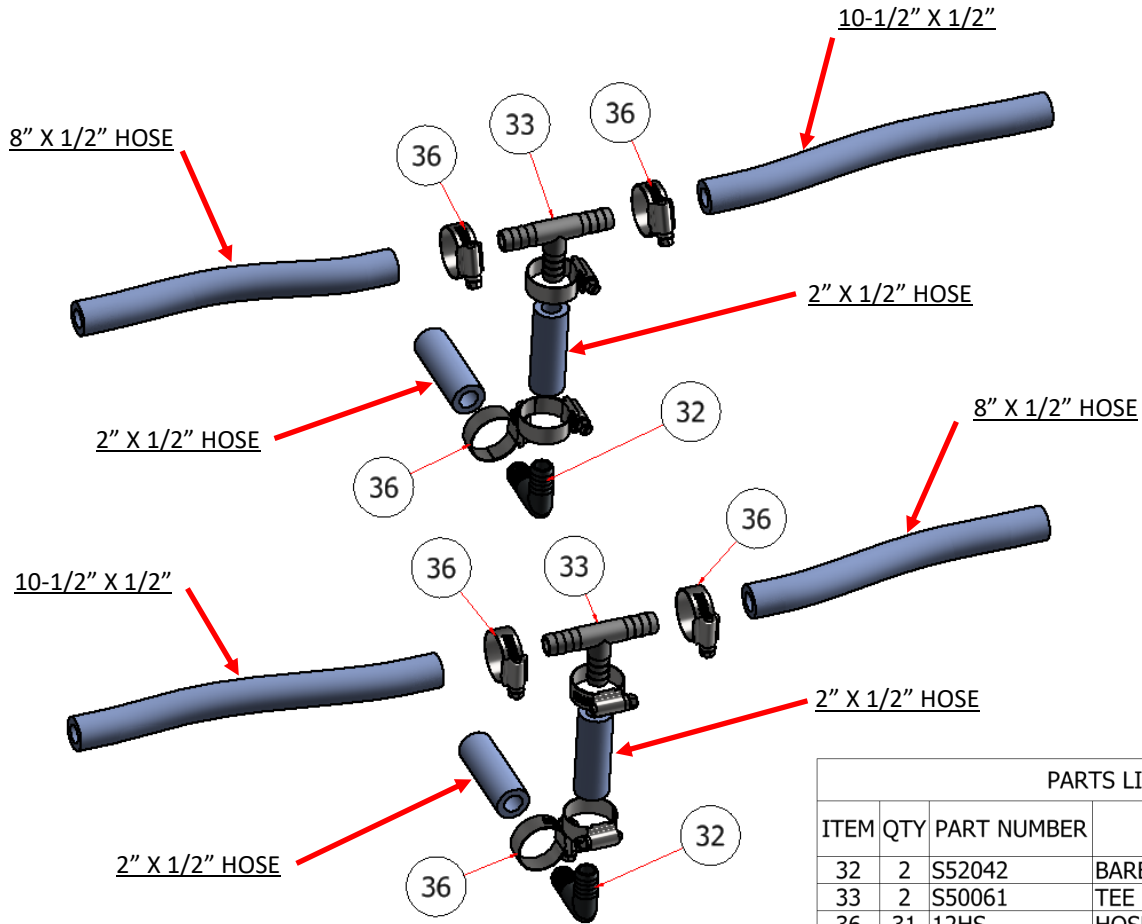
NOTE: Quantities in the parts list above are total per machine. Please note the quantities used in the sub-assemblies.



PARTS LIST			
ITEM	QTY	PART NUMBER	TITLE
19	8	FWSS-516	FLAT WASHER, 5/16
53	8	HFSSC-31350	HEX BOLT, 3/8" X 1/2" SS

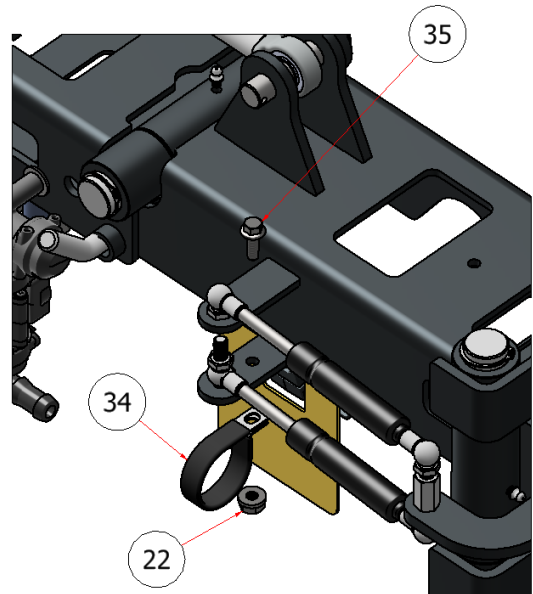
NOTE: Quantities in the parts list above are total per machine. Please note the quantities used in the sub-assemblies.

SGXL SPRAY SYSTEM

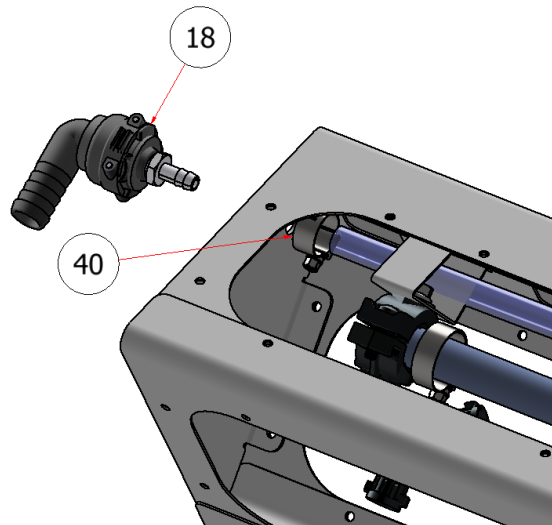
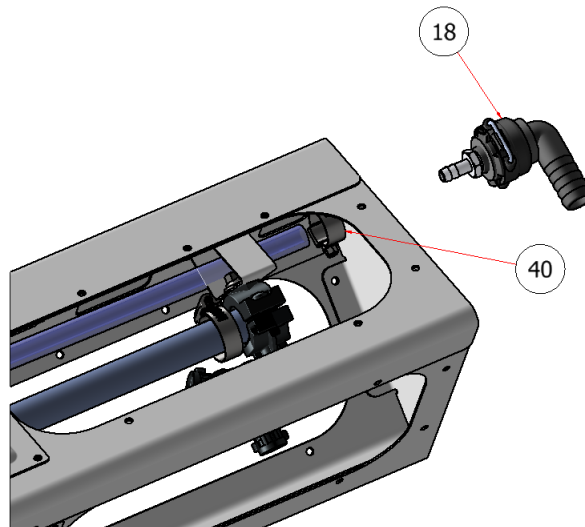


PARTS LIST			
ITEM	QTY	PART NUMBER	TITLE
32	2	S52042	BARB FITTING, 1/2, ELBOW
33	2	S50061	TEE FITTING, BARB, 1/2
36	31	12HS	HOSE CLAMP, 3/4

PARTS LIST			
ITEM	QTY	PART NUMBER	TITLE
22	10	HFNCS-25S	HEX FLANGE NUT, 1/4
34	2	RBC-112	LOOP CLAMP, 1-1/2
35	2	HFSSC-1475	HEX FLANGE BOLT, 1/4 X 3/4



NOTE: Quantities in the parts list above are total per machine. Please note the quantities used in the sub-assemblies.



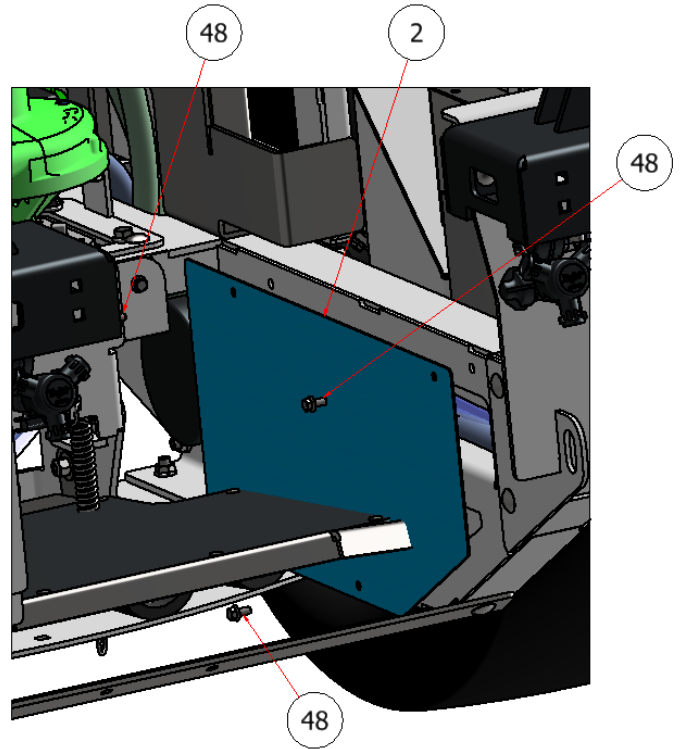
PARTS LIST			
ITEM	QTY	PART NUMBER	TITLE
18	2	901699	DROPPER, FOAM MARKER
40	4	MS4	HOSE CLAMP, 3/8

NOTE: Quantities in the parts list above are total per machine. Please note the quantities used in the sub-assemblies.

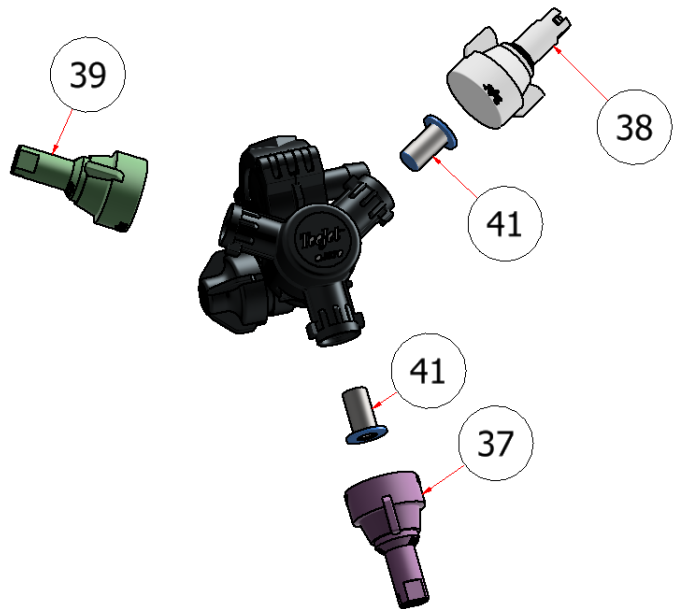
SGXL SPRAY SYSTEM



PARTS LIST			
ITEM	QTY	PART NUMBER	TITLE
2	2	R23-254	SS SGXL BOOM MOUNT COVER PLATE
48	6	HFSSC-145	HEX FLANGE BOLT, SS - 1/4-20 x 1/2



PARTS LIST			
ITEM	QTY	PART NUMBER	TITLE
37	8	S50031	SPRAY TIP, AIC, LAV
38	8	S50040	SPRAY TIP, AIC, WHITE
39	8	S50041	SPRAY TIP, AIC, GREEN
41	16	S51280	CHECK VALVE 50 MESH



NOTE: Quantities in the parts list above are total per machine. Please note the quantities used in the sub-assemblies.