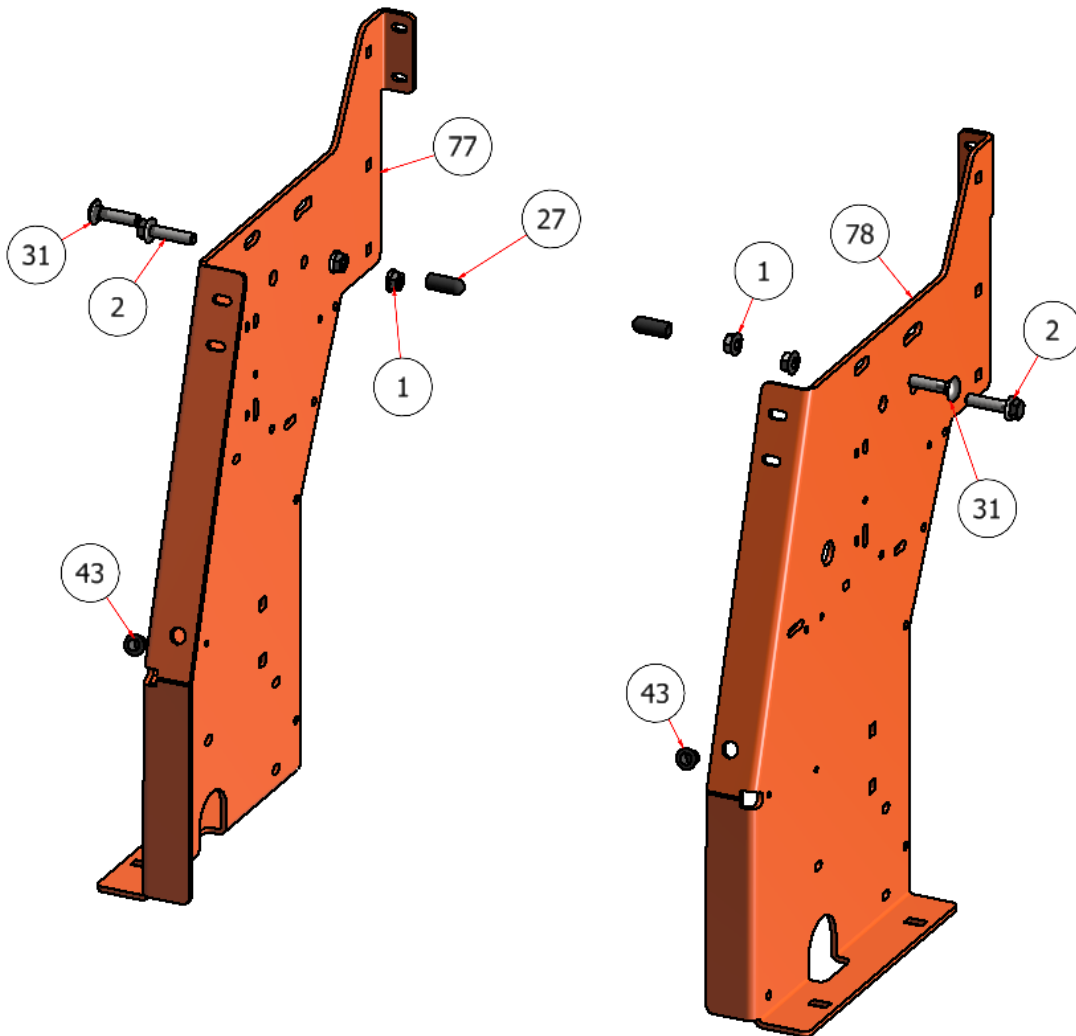


SGXL UPRIGHT ASSEMBLY

DRAWING NO. SGXLEV-006 REV. 2

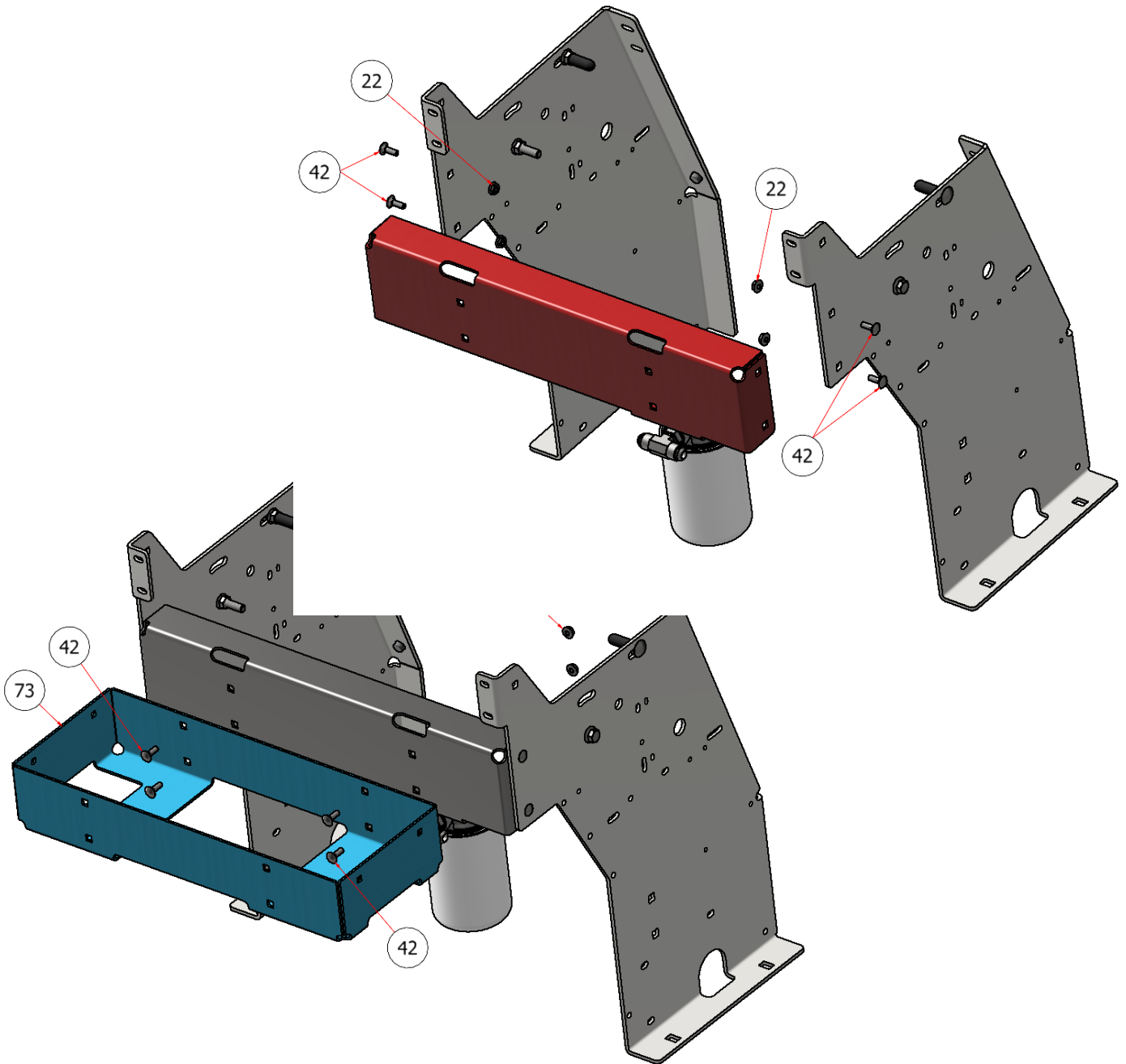
STEELGREEN
MANUFACTURING



PARTS LIST			
ITEM	QTY	PART NUMBER	TITLE
1	6	HFNCS-38S	HEX FLANGE NUT, SS - 3/8-16
2	4	HFSSC-3815	HEX FLANGE BOLT, 3/8 X 1.5
27	2	C60203	RUBBER CAP, BLACK 1"
31	2	CB-37515SS	CARRIAGE BOLT, 3/8 X 1-1/2
43	2	C60869	RUBBER BOOT, CHEST PAD
77	1	W23-242	SIDE PANEL, SGXL, UPRIGHT, LEFT
78	1	W23-242_MIR	SIDE PANEL, UPRIGHT, SGXL, RIGHT

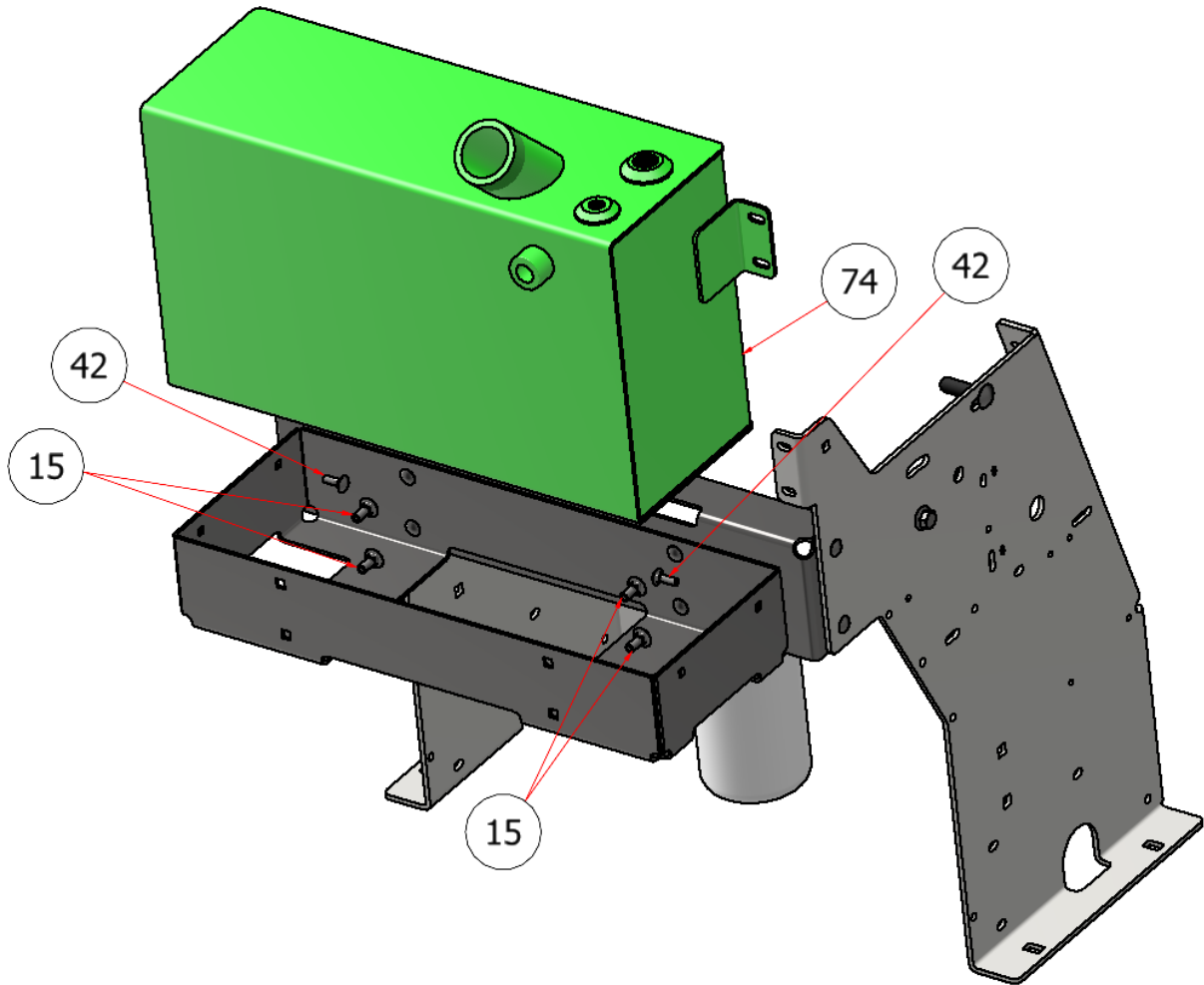
NOTE: Quantities in the parts list above are total per machine. Please note the quantities used in the sub-assemblies.

SGXL UPRIGHT ASSEMBLY



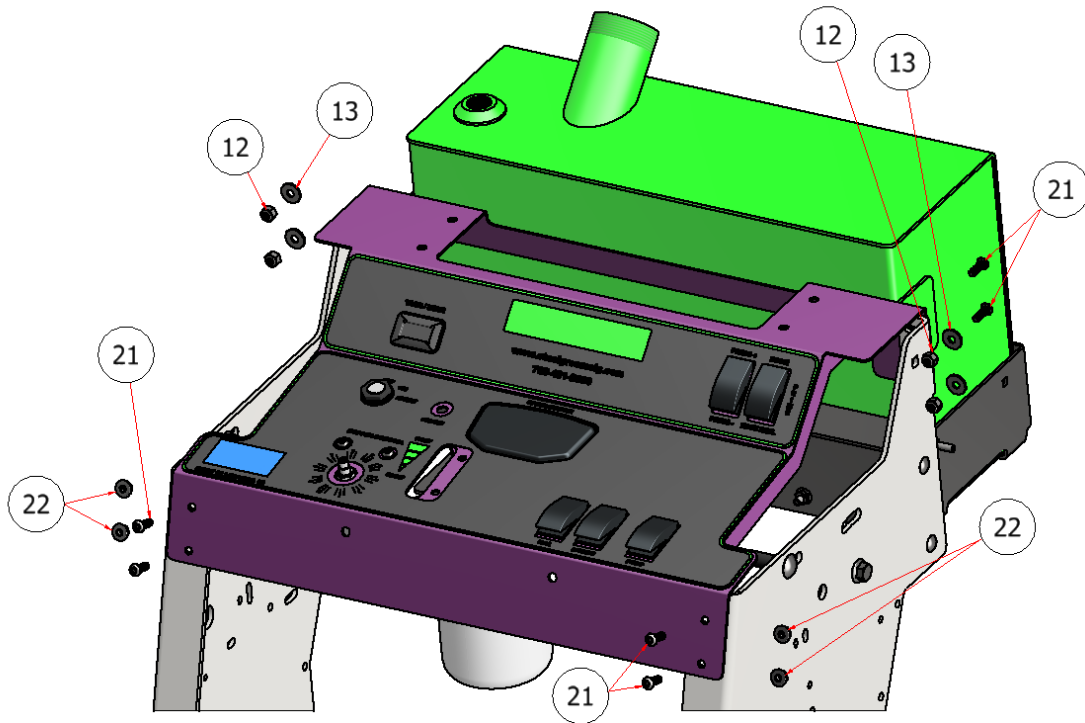
PARTS LIST			
ITEM	QTY	PART NUMBER	TITLE
22	26	HFNCS-14S	HEX NUT, 1/4
42	12	CB-1434	CARRIAGE BOLT, 1/4 X 3/4
73	1	W23-246	SUPPORT, HYDRAULIC TANK, SGXL

NOTE: Quantities in the parts list above are total per machine. Please note the quantities used in the sub-assemblies.



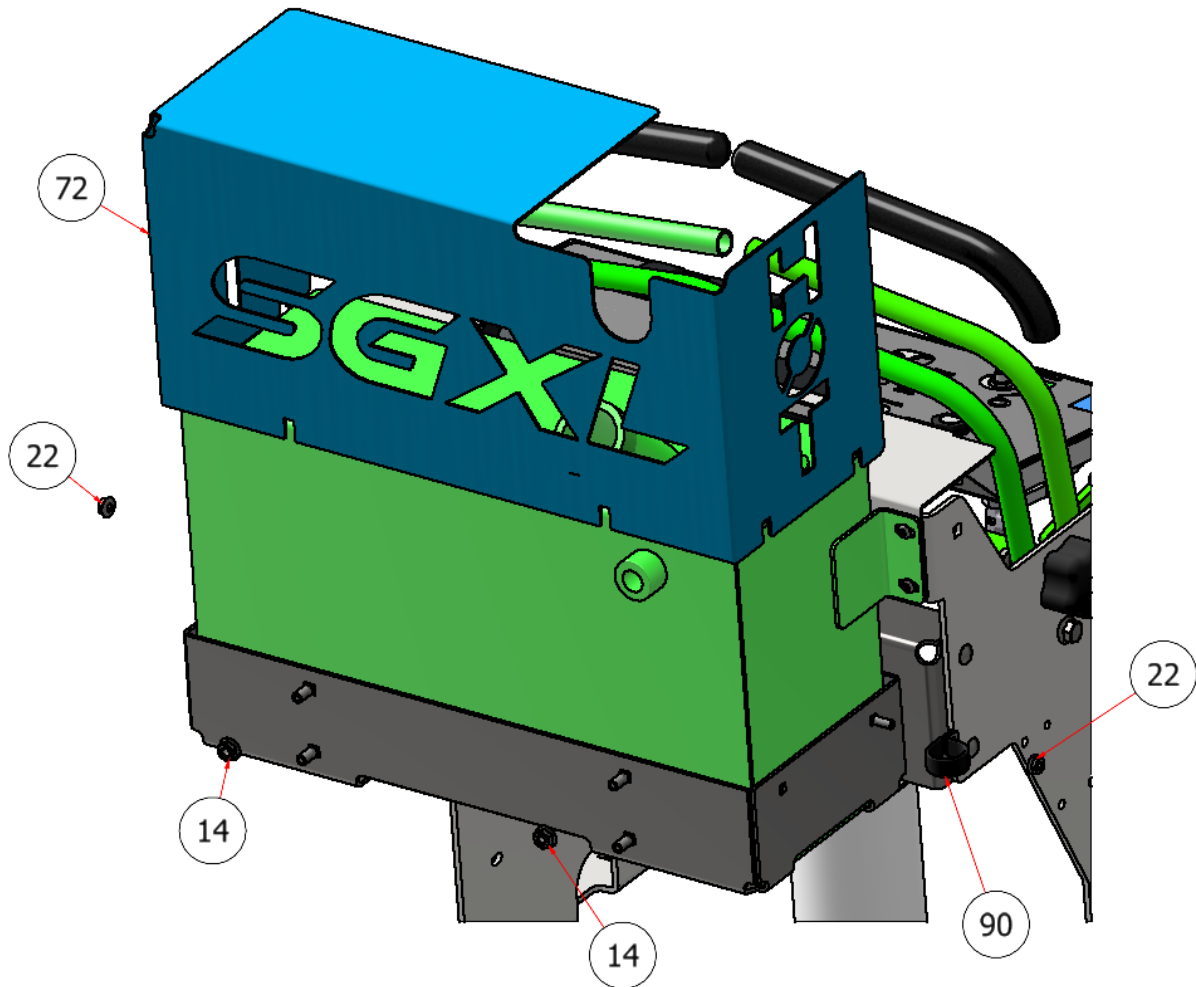
PARTS LIST			
ITEM	QTY	PART NUMBER	TITLE
15	6	CB-51634	CARRIAGE BOLT, SS - 5/16-18 x 3/4
42	10	CB-1434	CARRIAGE BOLT, 1/4 X 3/4
74	1	W23-247	HYDRAULIC TANK, 5 GAL. SGXL

NOTE: Quantities in the parts list above are total per machine. Please note the quantities used in the sub-assemblies.



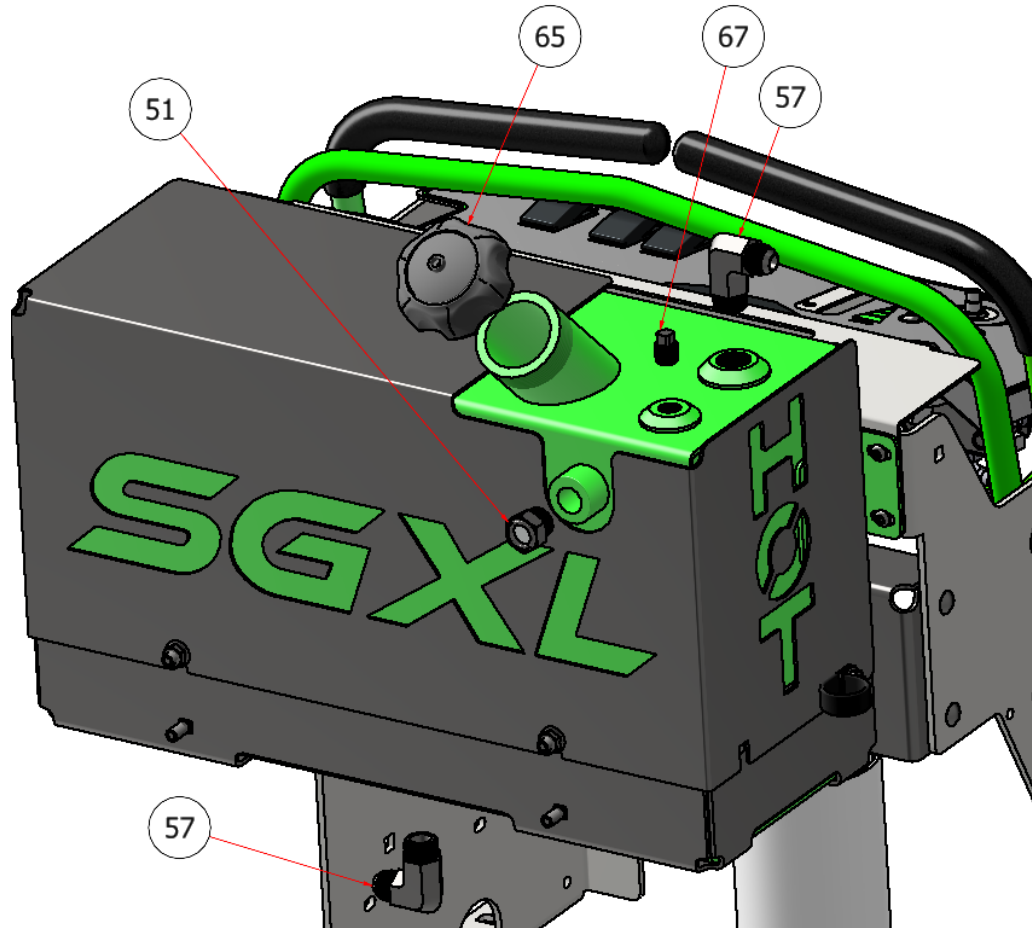
PARTS LIST			
ITEM	QTY	PART NUMBER	TITLE
12	6	SSNNC-14	NYLOCK, SS - 1/4-20
13	10	FWSS-14	FLAT WASHER, SS-1/4
21	10	PTSS-1434	STAR SCREW, 1/4 X 3/4
22	24	HFNCS-14S	HEX NUT, 1/4

NOTE: Quantities in the parts list above are total per machine. Please note the quantities used in the sub-assemblies.



PARTS LIST			
ITEM	QTY	PART NUMBER	TITLE
14	10	HFNCS-516S	HEX NUT, 5/16"
22	24	HFNCS-14S	HEX NUT, 1/4"
72	1	R23-245	SS SGXL HYDRAULIC TANK HEAT SHIELD
90	3	RBC-1	LOOP CLAMP, 1"

NOTE: Quantities in the parts list above are total per machine. Please note the quantities used in the sub-assemblies.



PARTS LIST			
ITEM	QTY	PART NUMBER	TITLE
51	1	H80449	SIGHT GLASS, HYDRAULIC TANK
57	2	H84058	1/2" NPT X 1/2 JIC ELBOW
65	1	M10004	TANK CAP, VENTED, 2.25
67	1	H84066	PIPE PLUG, 1/4"

NOTE: Quantities in the parts list above are total per machine. Please note the quantities used in the sub-assemblies.