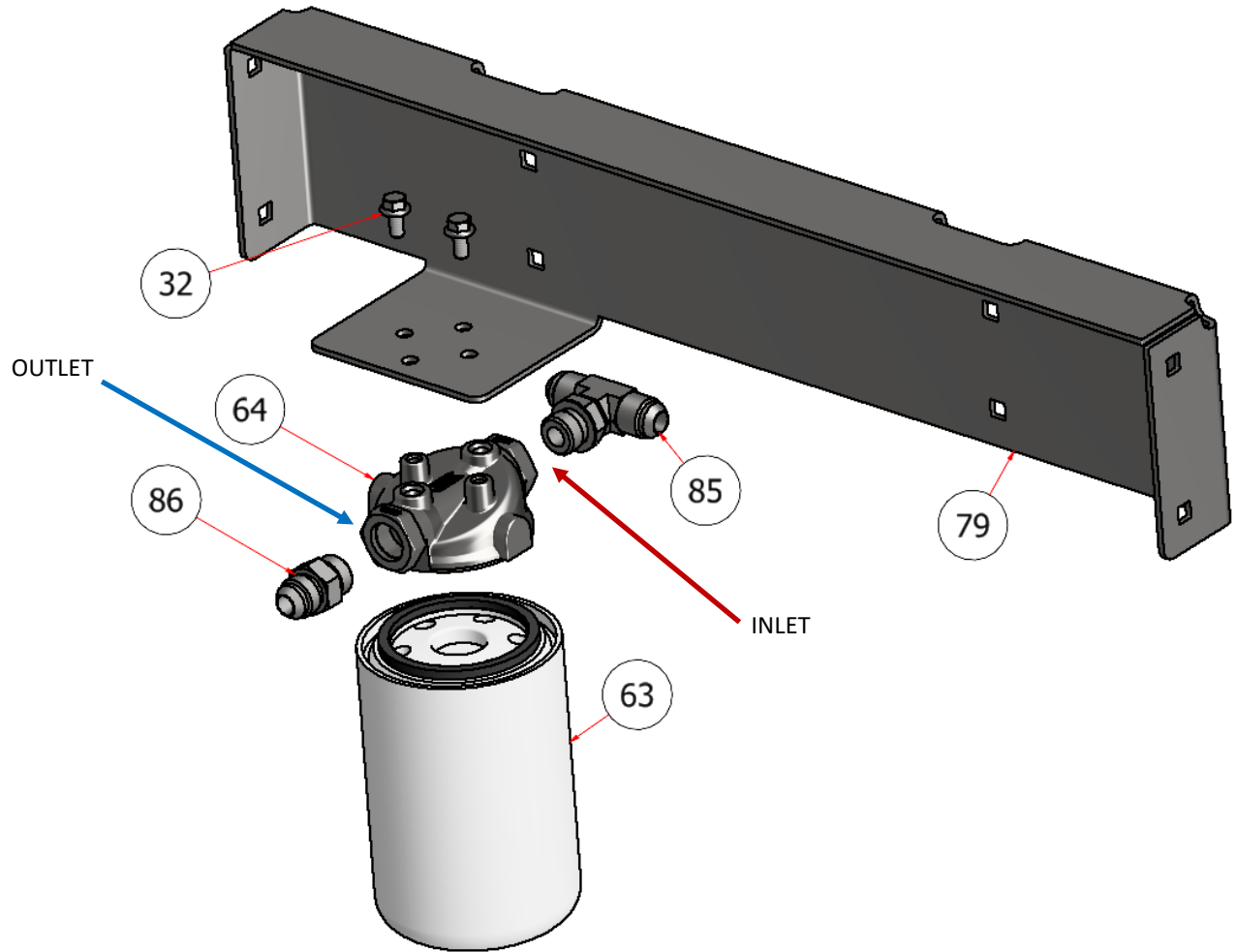


SGXL CROSS MEMBER

DRAWING NO. SGXLEV-005 REV. 2

STEELGREEN
MANUFACTURING™



PARTS LIST			
ITEM	QTY	PART NUMBER	TITLE
32	6	HFSSC-145	HEX FLANGE BOLT, SS - 1/4-20 x 1/2
63	1	H80451	OIL FILTER, SGXL
64	1	H80450	OIL FILTER HOUSING, 1/2 ORB PORTS
79	1	W23-244	CROSS MEMBER, UPRIGHT, SGXL
85	1	H84046	TEE FITTING, 1/2 X 1/2 X 1/2 ORB
86	1	H84054	FITTING, 1/2" X 1/2" ORB

NOTE: Quantities in the parts list above are total per machine. Please note the quantities used in the sub-assemblies.