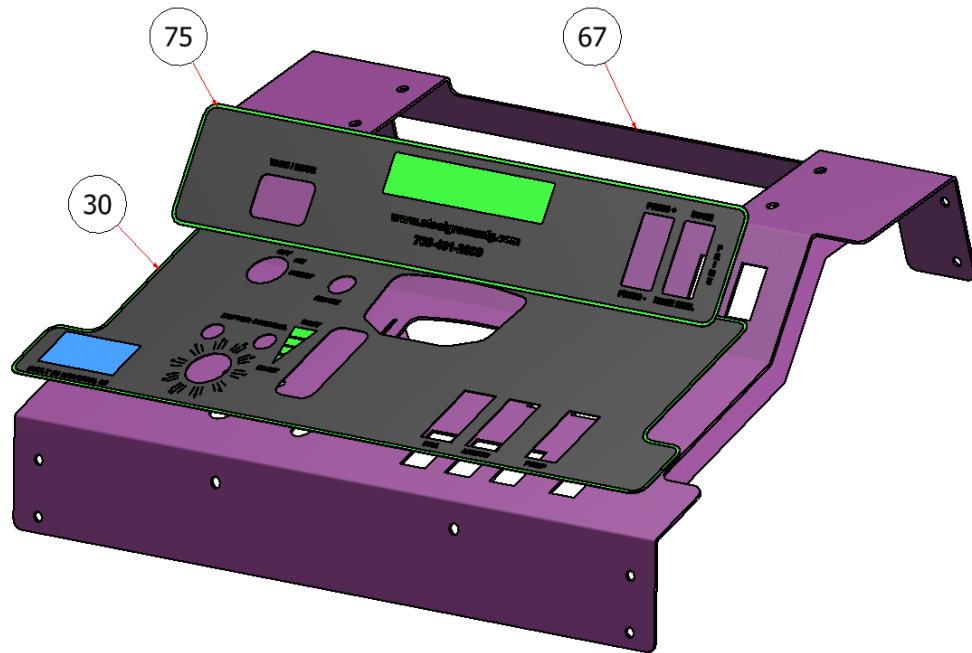


SGXL DASH PANEL

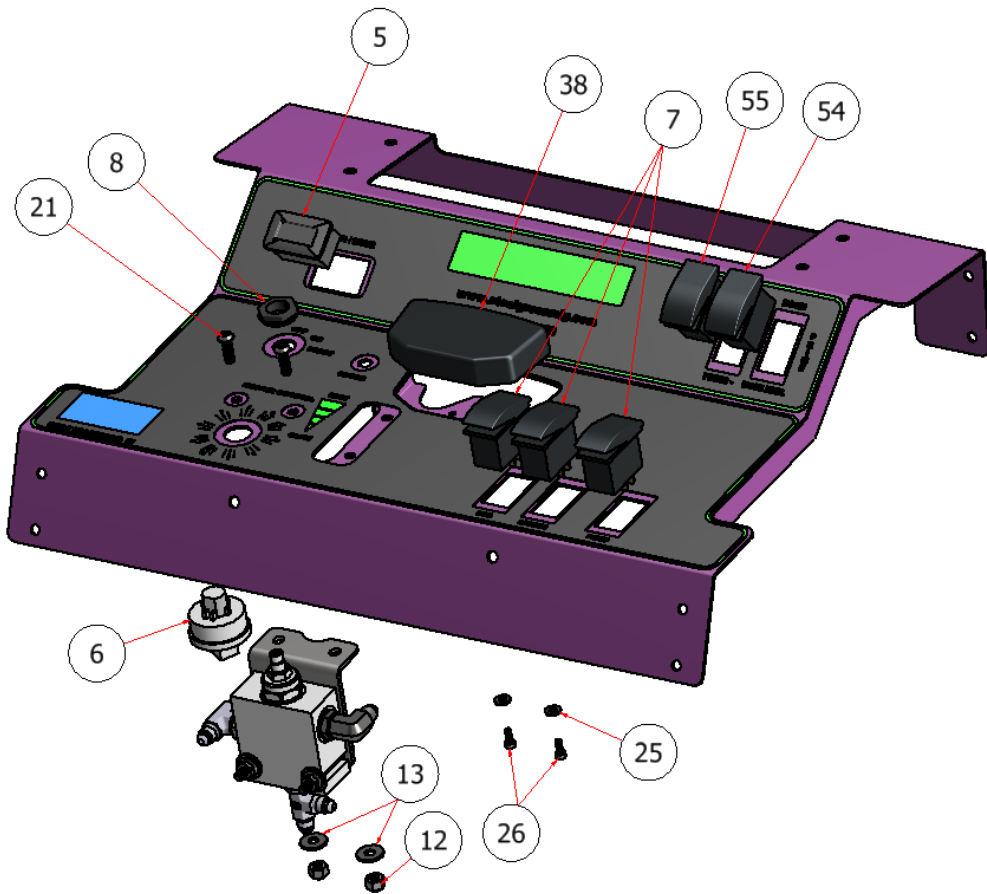
DRAWING NO. SGXLEV-007 REV. 2

STEELGREEN
MANUFACTURING™



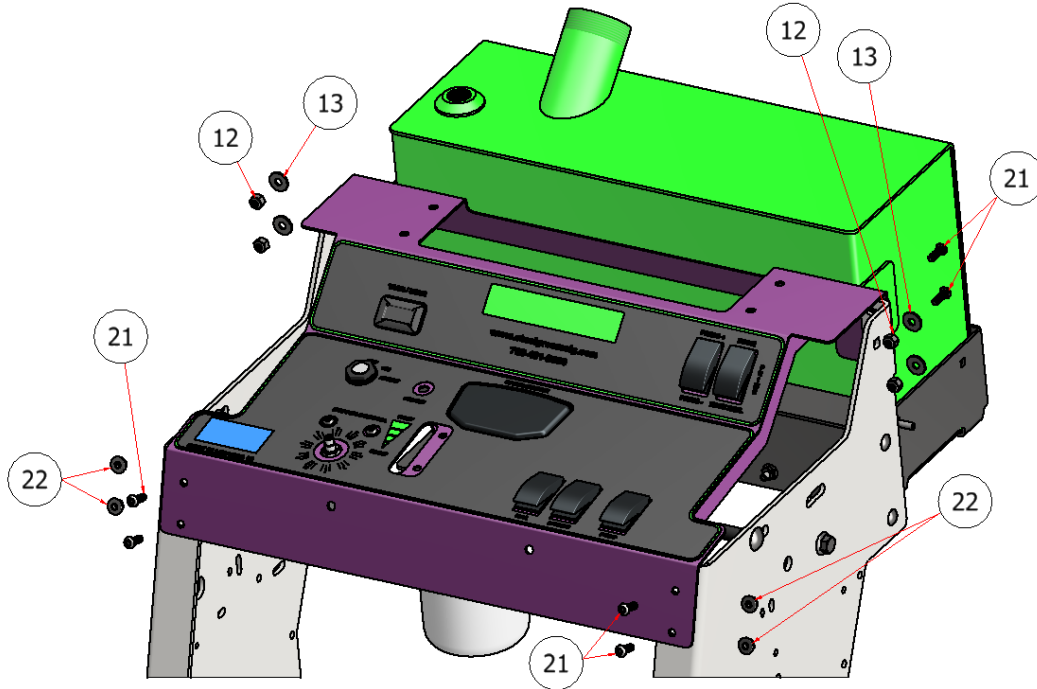
PARTS LIST			
ITEM	QTY	PART NUMBER	TITLE
30	1	GCMD-002	MAIN DASH PANEL
68	1	W23-239	DASH PANEL, SGXL
76	1	C60421	ELECTRIC DASH PANEL

NOTE: Quantities in the parts list above are total per machine. Please note the quantities used in the sub-assemblies.



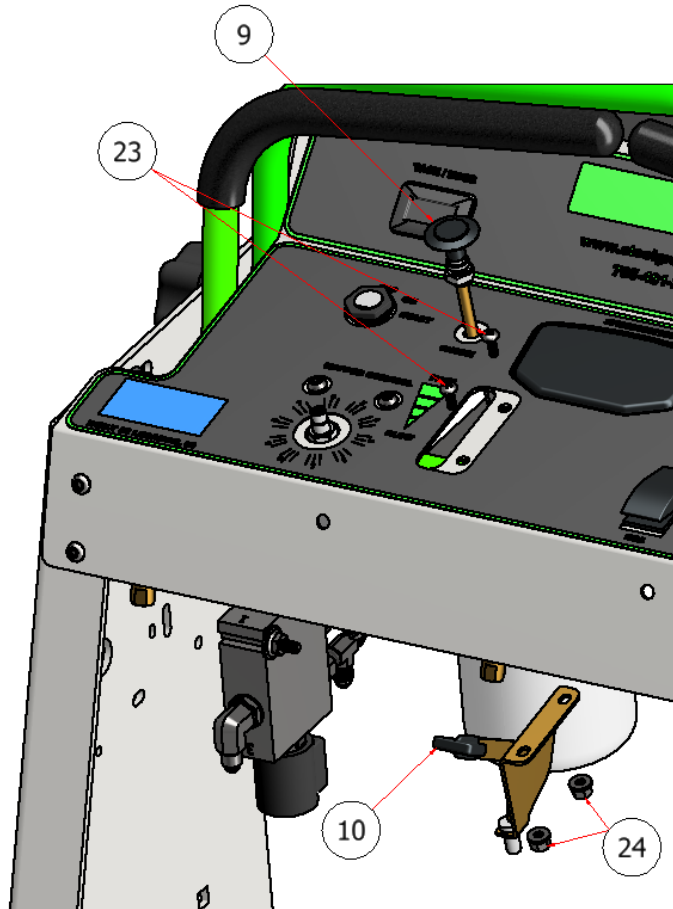
PARTS LIST			
ITEM	QTY	PART NUMBER	TITLE
5	1	E40011	TACHOMETER
6	1	E40215	KEY SWITCH
7	8	E40202	ROCKER SWITCH
8	1	E40215 NUT	KEY SWITCH NUT
12	6	SSNC-14	NYLOCK, SS - 1/4-20
13	10	FWSS-14	FLAT WASHER, SS-1/4
21	10	PTSS-1434	STAR SCREW, 1/4 X 3/4
25	2	FSW-10	FLAT WASHER, SS-10
26	2	SHMSS-407010	ALLEN SCREW, 40 X 70 X 10
38	1	E40010	SPEEDOMETER
55	2	RS-6P	ROCKER SWITCH, ON OFF ON
56	1	RS-6PM	ROCKER SWITCH, MOMENTARY OFF MOMENTARY

NOTE: Quantities in the parts list above are total per machine. Please note the quantities used in the sub-assemblies.



PARTS LIST			
ITEM	QTY	PART NUMBER	TITLE
12	6	SSNNC-14	NYLOCK, SS - 1/4-20
13	10	FWSS-14	FLAT WASHER, SS-1/4
21	10	PTSS-1434	STAR SCREW, 1/4 X 3/4
22	24	HFNCS-14S	HEX NUT, 1/4

NOTE: Quantities in the parts list above are total per machine. Please note the quantities used in the sub-assemblies.

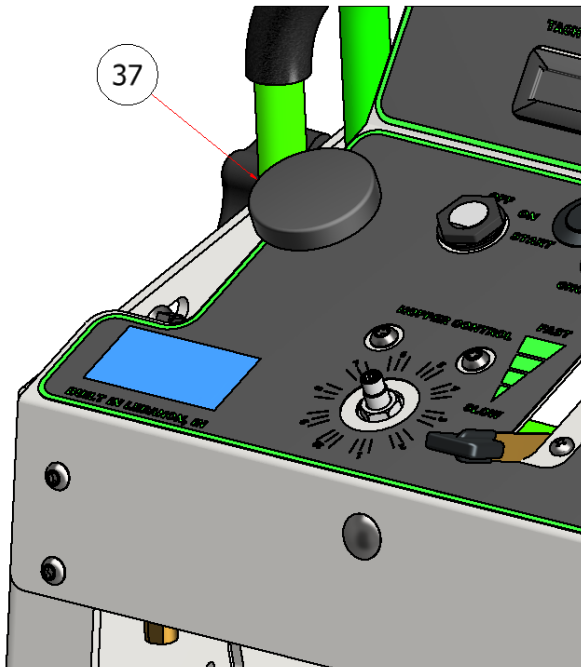
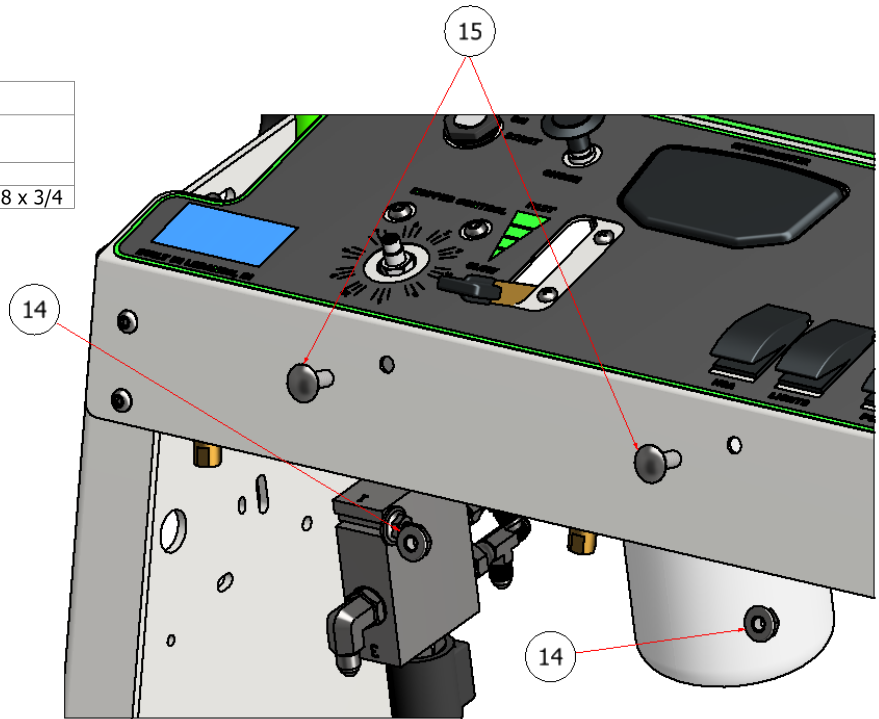


PARTS LIST			
ITEM	QTY	PART NUMBER	TITLE
9	1	D71001	CHOKE CABLE
10	1	D71000	THROTTLE CABLE
23	10	TRPC-1012S	SCREW, PHILLIPS, #10 X 1/2
24	2	HFNC5-10S	HEX FLANGE NUT, #10

NOTE: Quantities in the parts list above are total per machine. Please note the quantities used in the sub-assemblies.

SGXL DASH PANEL

PARTS LIST			
ITEM	QTY	PART NUMBER	TITLE
14	10	HFNCS-516S	HEX NUT, 5/16"
15	6	CB-51634	CARRIAGE BOLT, SS - 5/16-18 x 3/4



PARTS LIST			
ITEM	QTY	PART NUMBER	TITLE
37	1	H81431	VALVE KNOB
91	1	C60426	DECAL, XL HOPPER CONTROL VALVE

NOTE: Quantities in the parts list above are total per machine. Please note the quantities used in the sub-assemblies.