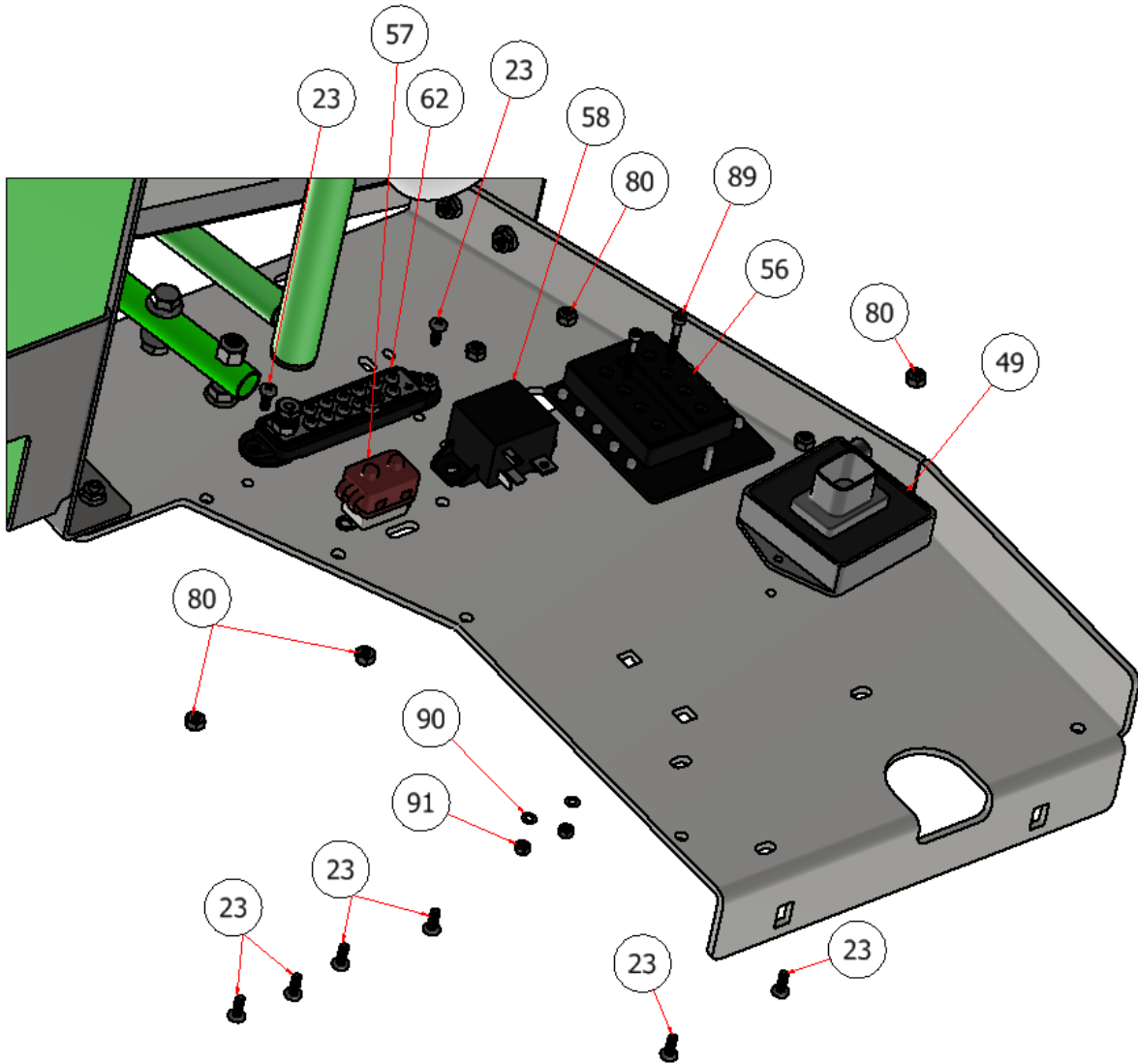


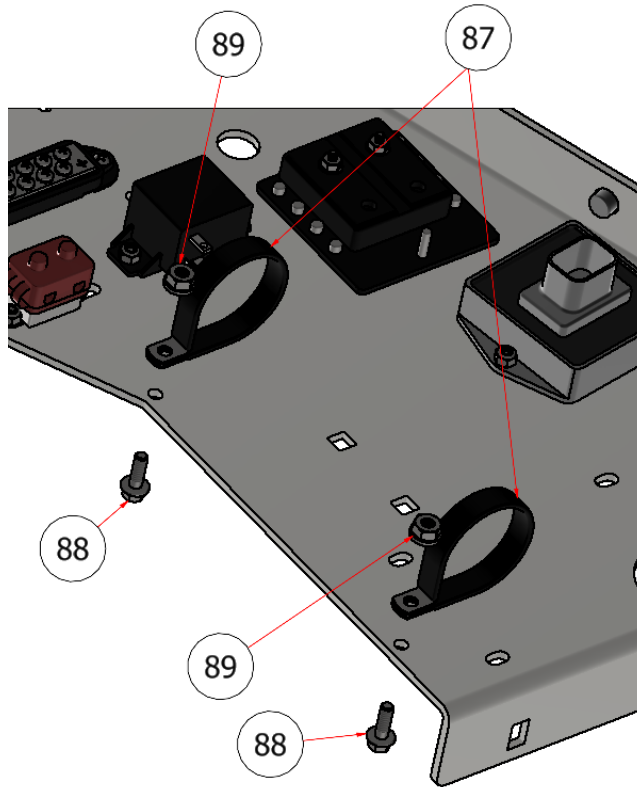
SGXL ELECTRICAL PARTS

DRAWING NO. SGXLEV-017 REV. 2



PARTS LIST			
ITEM	QTY	PART NUMBER	TITLE
23	10	TRPC-1012S	SCREW, PHILLIPS, #10 X 1/2
49	1	S54020	CONTROLER, RATE
56	1	10 PORT FUSE	FUSE BLOCK, 8 POST
57	1	CBMPV-50	CIRCUIT BREAKER, 50 AMP
58	1	V23232	RELAY, 2 POLE
62	1	GB-12-C	GROUND BLOCK, 12 PORT
80	8	SSNNC 10-32B	HEX NUT, NYLOCK, 10-32
89	2	SHCS-M4XM30	SOCKET HEAD CAP SCREW, M4 X M30 SS
90	2	FWSS-4M	WASHER, 4MM SS
91	2	SS NYLOCK M4	LOCK NUT, M4 SS

NOTE: Quantities in the parts list above are total per machine. Please note the quantities used in the sub-assemblies.



PARTS LIST			
ITEM	QTY	PART NUMBER	TITLE
87	2	RBC-2	LOOP CLAMP, 2"
88	4	HFSSC-1475	HEX FLANGE BOLT, 1/4 X 3/4
89	4	HFNCS-25S	HEX FLANGE NUT, 1/4

NOTE: Quantities in the parts list above are total per machine. Please note the quantities used in the sub-assemblies.