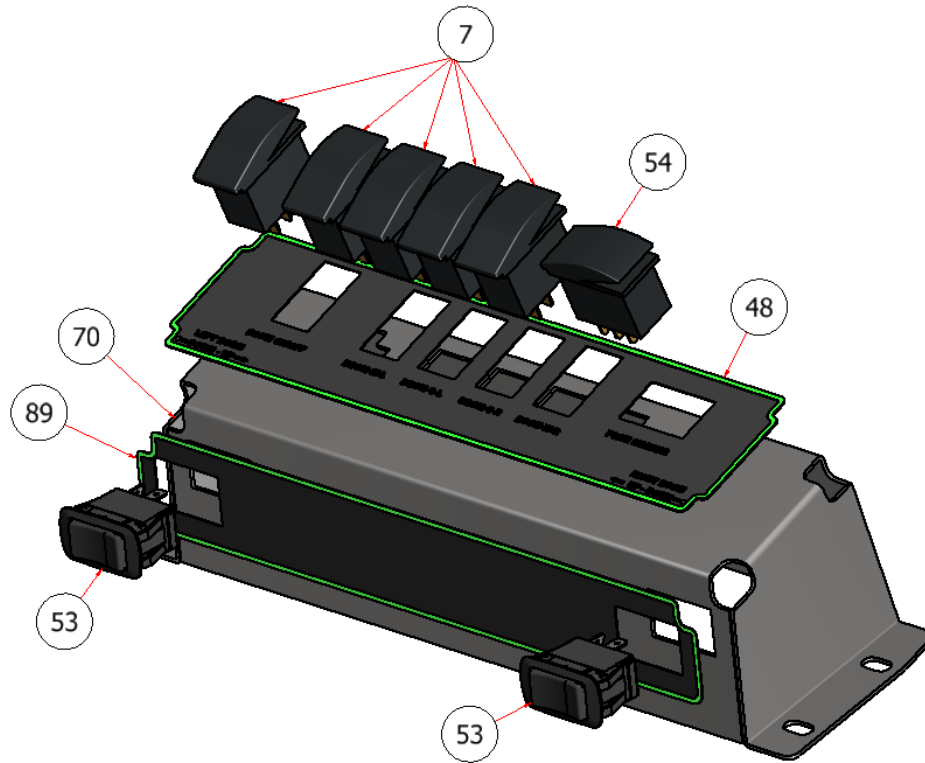


# SGXL UPPER DASH PANEL

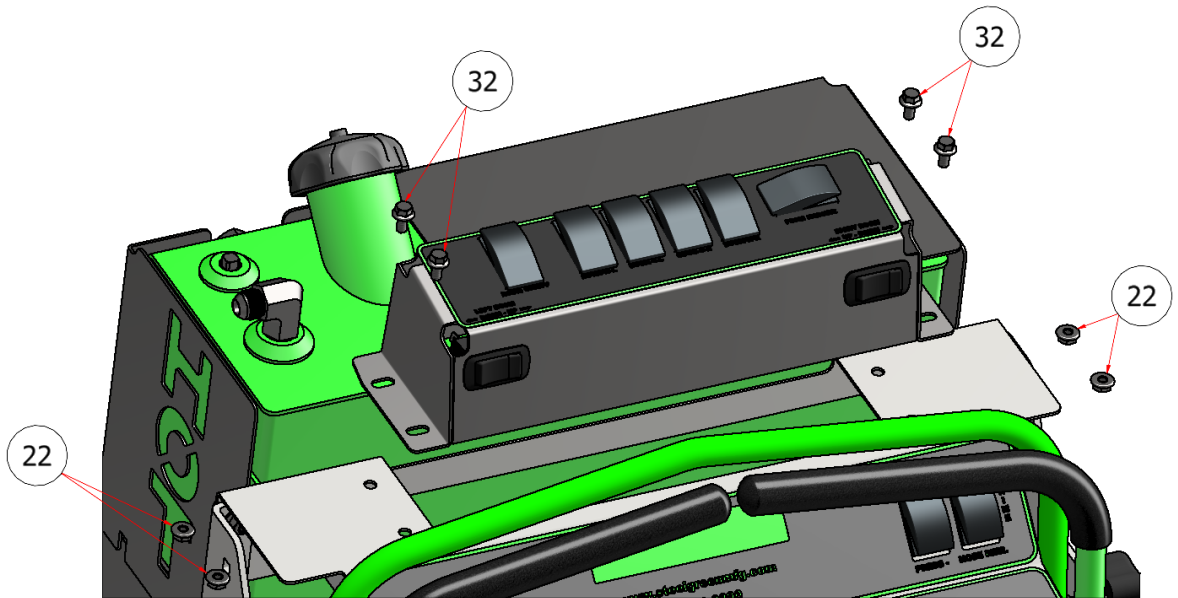
DRAWING NO. SGXLEV-004 REV. 2



PARTS LIST			
ITEM	QTY	PART NUMBER	TITLE
7	8	E40202	ROCKER SWITCH
48	1	GCMD-001	DECAL, UPPER DASH, SGXL
53	2	RS-57014-3	ROCKER SWITCH, MOMENTARY OF MOMENTARY
54	2	RS-6P	ROCKER SWITCH, ON OFF ON
70	1	R23-243	SS SGXL BOOM BUTTON MOUNT
89	1	GCMD-011	DECAL, UPPER DASH, SGXL

**NOTE:** Quantities in the parts list above are total per machine. Please note the quantities used in the sub-assemblies.

**SGXL UPPER DASH PANEL**



PARTS LIST			
ITEM	QTY	PART NUMBER	TITLE
22	24	HFNCS-14S	HEX NUT, 1/4
32	6	HFSSC-145	HEX FLANGE BOLT, SS - 1/4-20 x 1/2

**NOTE:** *Quantities in the parts list above are total per machine. Please note the quantities used in the sub-assemblies.*