

# STEELGREEN MANUFACTURING™

## INSTRUCTION MANUAL

### SNOW PLOW ATTACHMENT

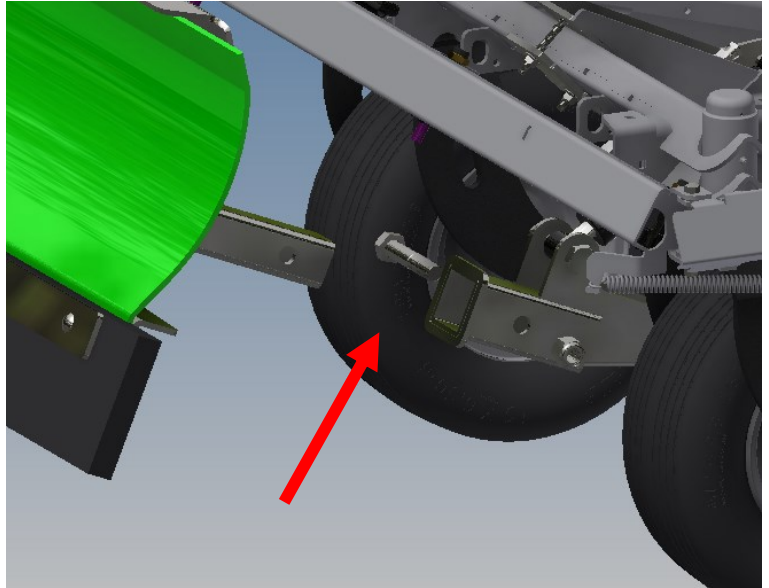
Models: SG36, SG42, SG46, & SG52



## SNOW PLOW KIT INSTRUCTIONS

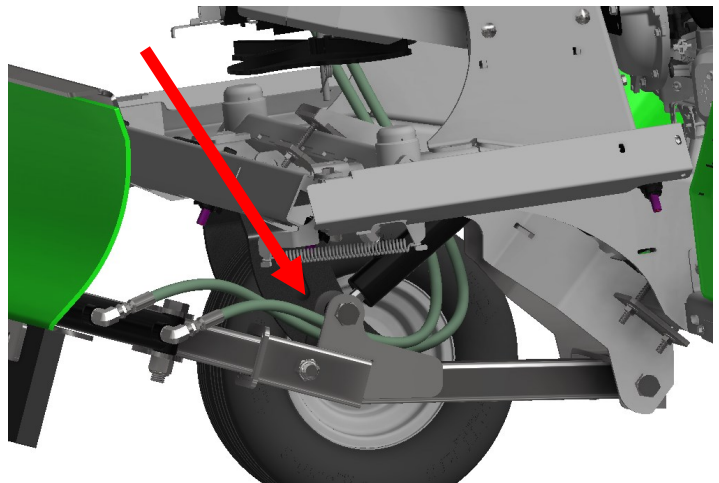
### STEP 1:

- Attach the snow plow to the hitch using (1) 5/8" X 3" bolt and nut provided with the kit.

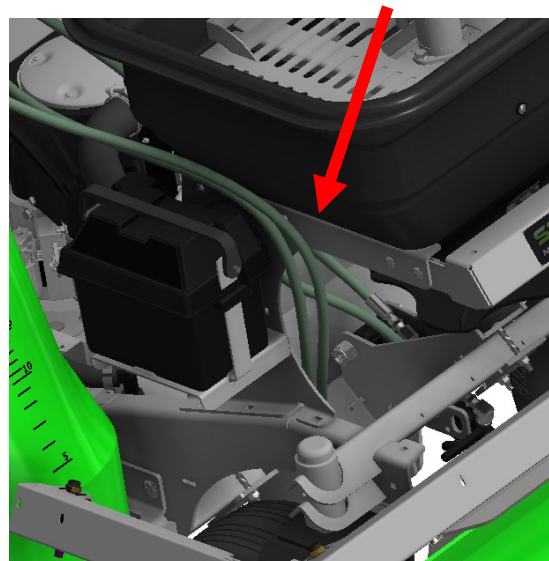


### STEP 2:

- Route the snow plow hoses under the lift cylinder, along the right side of the hopper, up over the battery and to the control valve.
- Route the hoses from the plow hitch along the right side of the hopper, up through the opening in the hopper shield, and to the control valve.

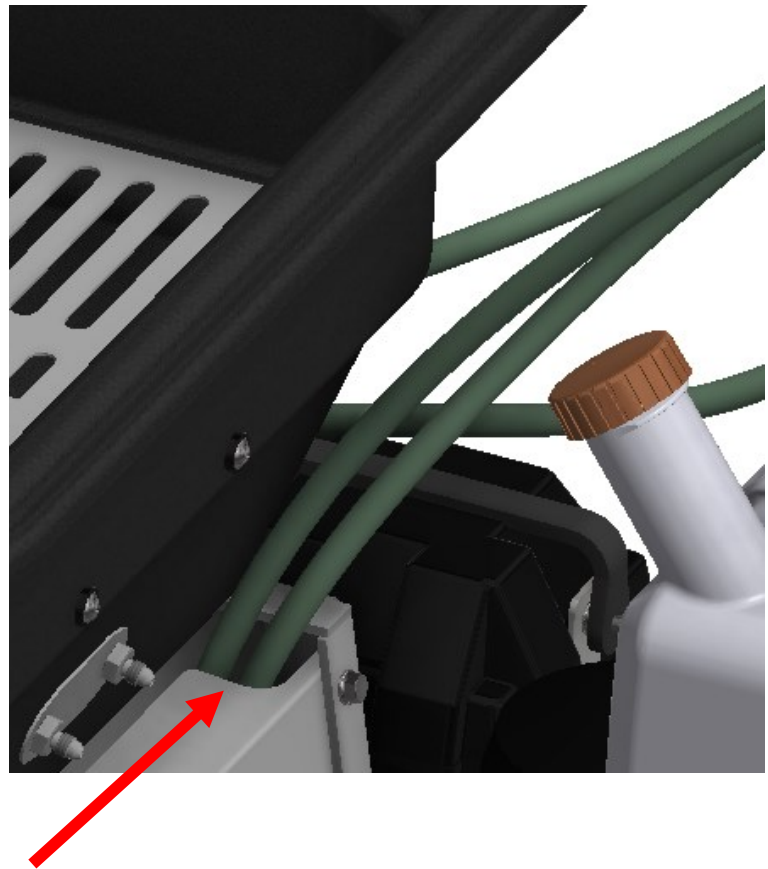
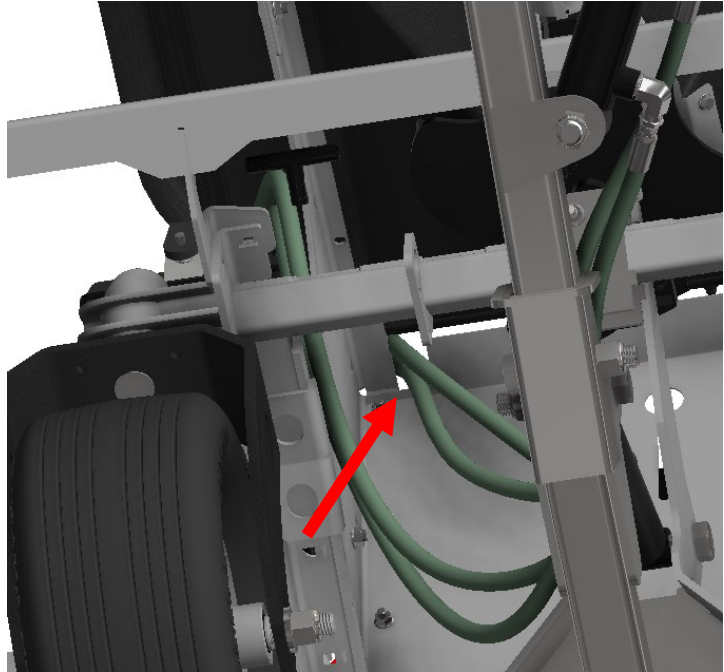


**NOTE:** Zip tie hose assemblies away from any moving parts to prevent damage.



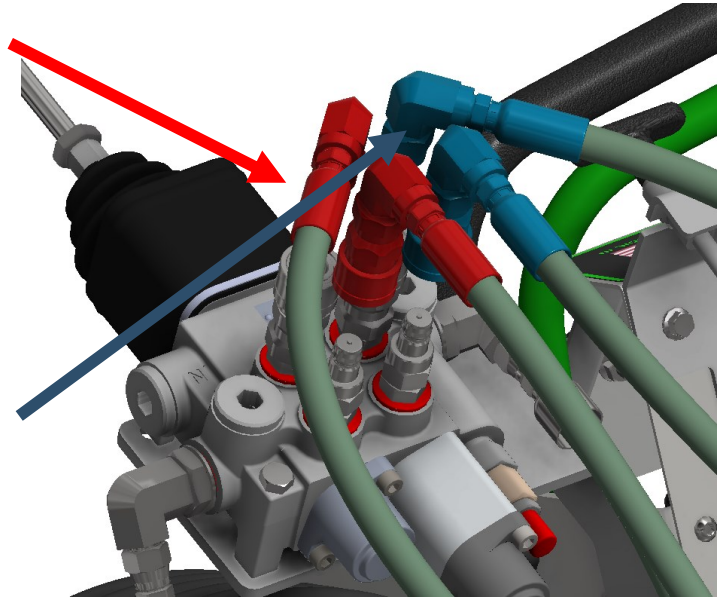
## SNOW PLOW KIT INSTRUCTIONS

- Route the hoses from the plow hitch along the right side of the hopper, up through the opening in the hopper shield, and to the control valve.



## SNOW PLOW KIT INSTRUCTIONS

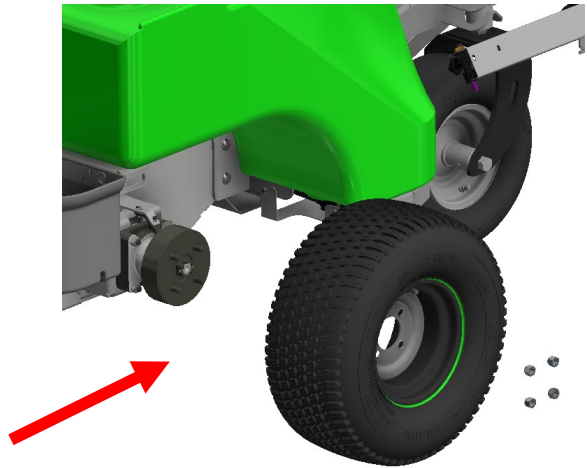
- Connect the hoses from the snow plow to *left side (ANGLE)* of the control valve.



- Connect the hoses from the plow hitch to the *right side (LIFT)* of the control valve.

### STEP 3: SG46 & SG52

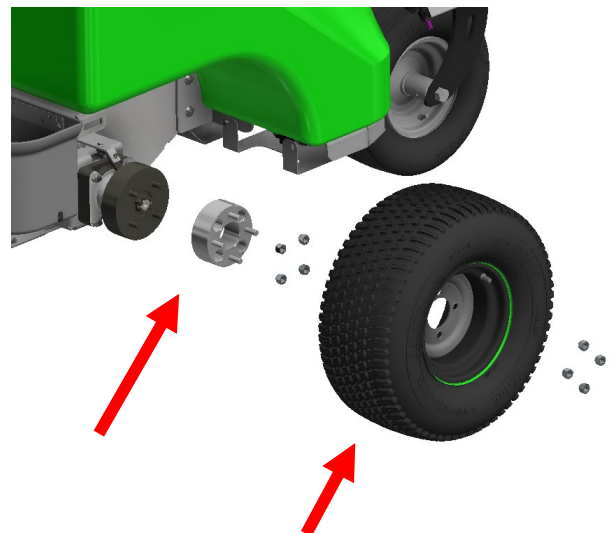
- Remove the rear tires and install the snow tires provided with the kit.



- SG36 & SG42 Units ONLY

- 1 Remove the rear tires.
- 2 Install the wheel spacers (T90030) SG36 ONLY.
- 3 Install snow tires.

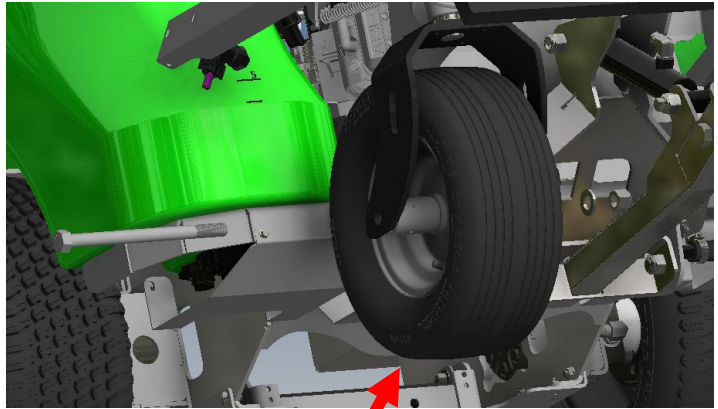
*Both the spacer and snow tires provided with the kit.*



## SNOW PLOW KIT INSTRUCTIONS

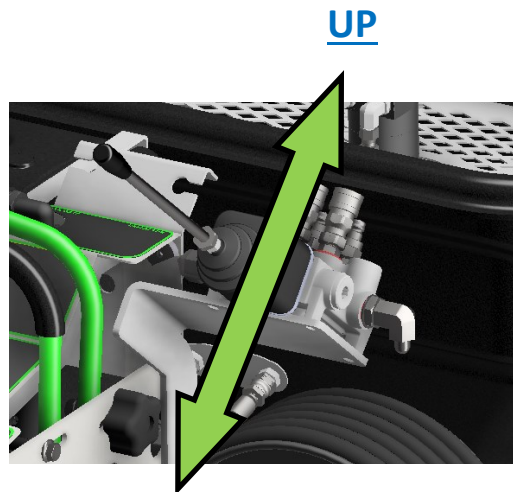
- SG36 Units ONLY

4 Remove the front tires and install the 13" front tires provided with the kit.

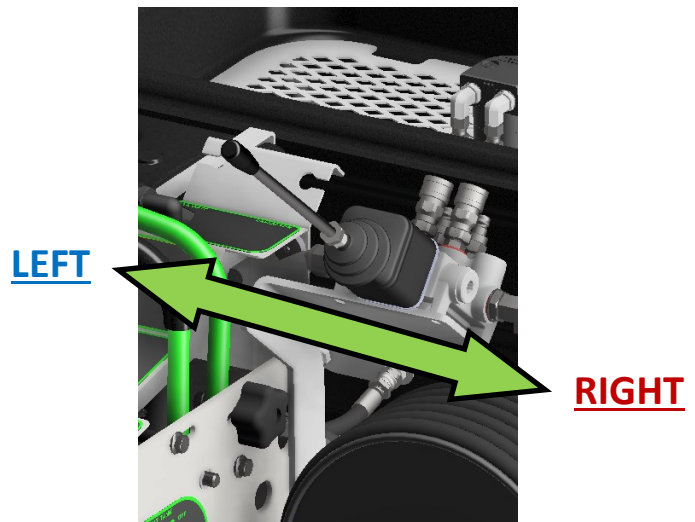


### STEP 4: OPERATION

- To raise and lower the plow, move the valve handle up or down.



- To turn the plow, move the valve handle to left or right.



## SNOW PLOW KIT INSTRUCTIONS

### STEP 5:

- start the machine.
- Operate the plow left/right and up/down.
- Top off the oil tank if needed.

**NOTE:** *The cylinder is empty so it will take a few cycles to fill it and get the air out of the system.*

### **CAUTION!**

*DO NOT let the machine run out of hydraulic oil*



## NOTES



Steel Green Mfg.  
824 S State Road 39  
Lebanon, IN 46052  
(765)-481-2890  
[www.steelgreenmfg.com](http://www.steelgreenmfg.com)

MANUAL PART NO.	MANUAL REV.	DESCRIPTION	KIT PART NO.
SGM-034	E	SG SNOW PLOW ATTACHMENT	SP-36 SP-52