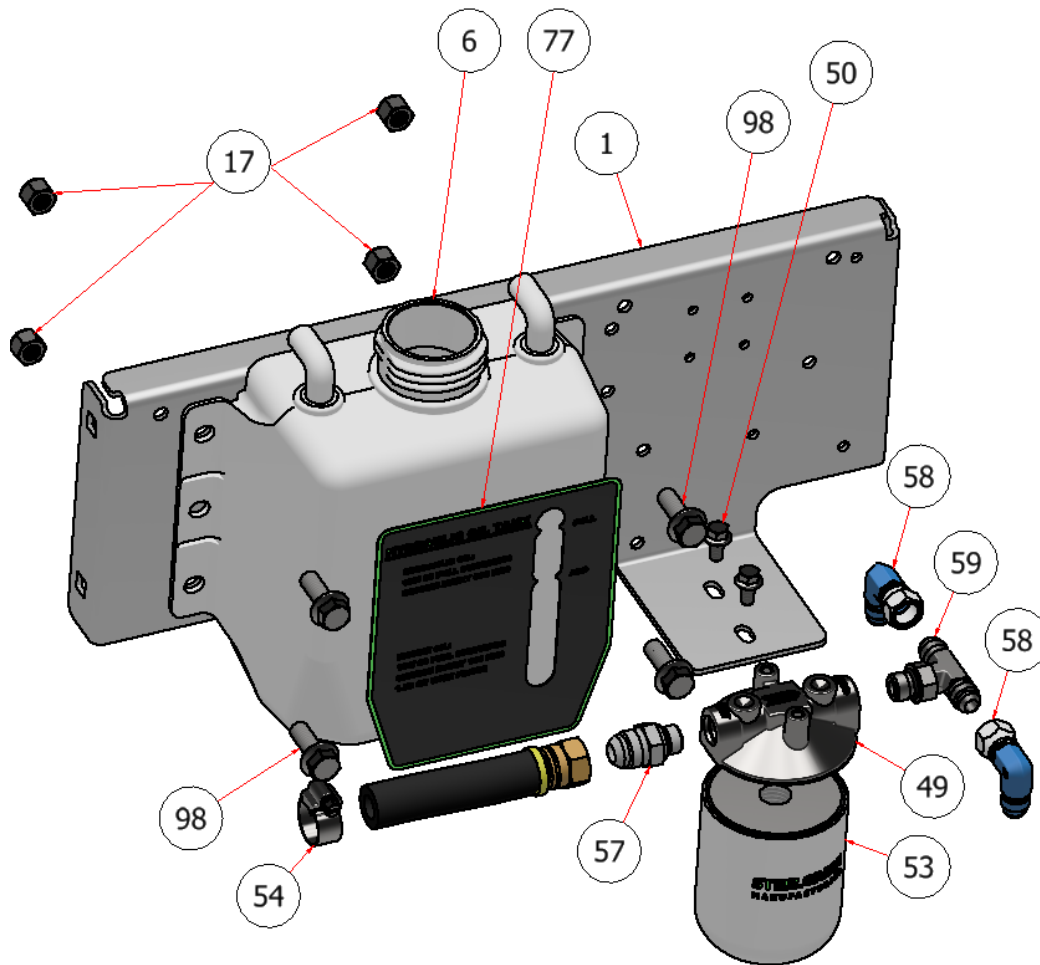


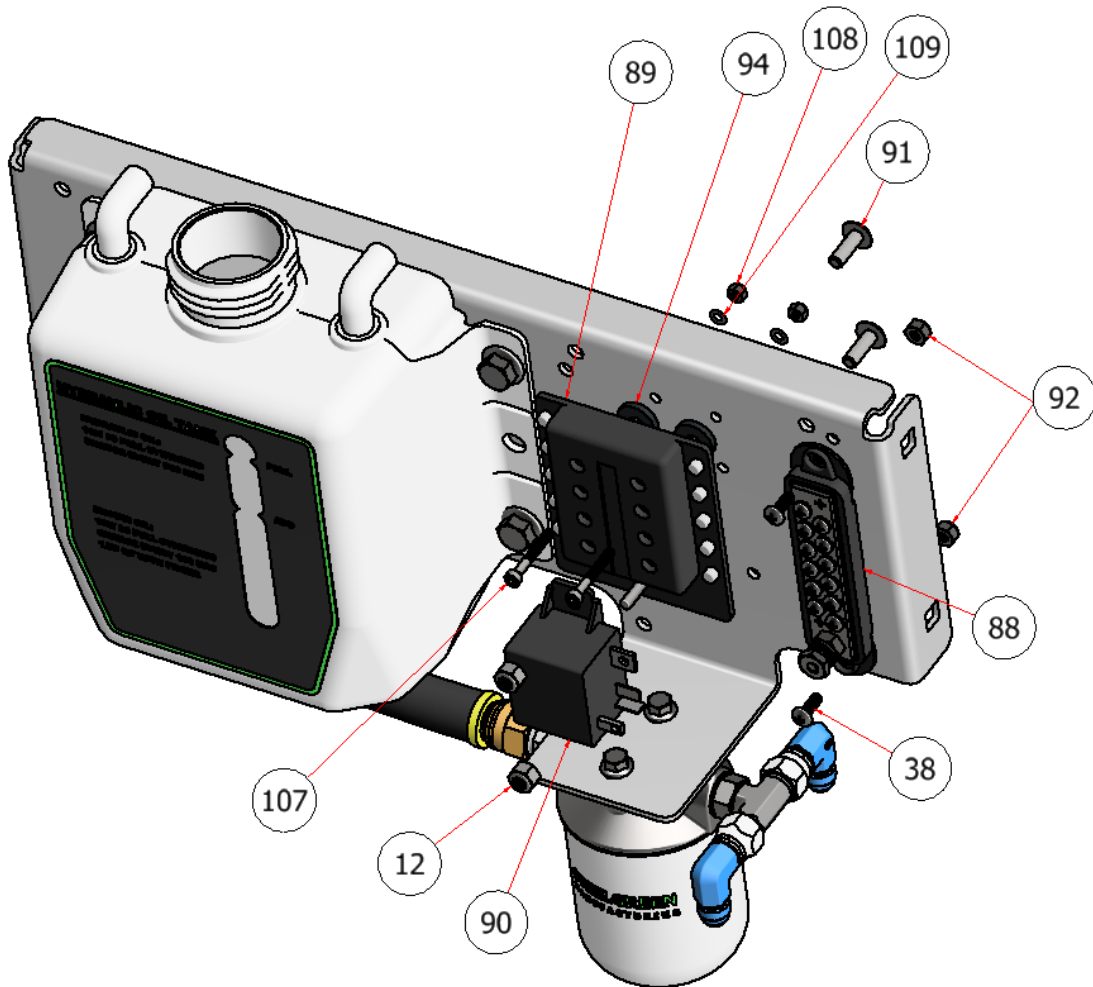
# CROSS MEMBER SG36\SG42

DRAWING NO. SGEV-007 REV. 3



PARTS LIST			
ITEM	QTY	PART NUMBER	TITLE
1	1	R21-092	SG36, 42 HYDRO TANK MOUNT
6	1	M10003	HYDRAULIC OIL TANK, 3QT
17	6	SSNNC-38	NYLOCK, SS - 3/8-16
49	1	H80405	OIL FILTER HOUSING
50	2	HFSSC-145	HEX FLANGE BOLT, SS - 1/4-20 x 1/2
53	1	H80404	OIL FILTER, HYDRAULIC
54	3	MS4	HOSE CLAMP, 3/8
57	1	H84019	1/2 M JIC X 3/8 ORB STG.
58	2	H84010	3/8 M JIC X 3/8 JIC 90 SWIVEL
59	1	H84022	TEE FITTING, 3/8 ORB X 3/8 JIC
77	1	C60313	DECAL, HYDRAULIC OIL TANK
98	4	HFSSC-381	HEX FLANGE BOLT, SS - 3/8-16 x 1

**NOTE:** Quantities in the parts list above are total per machine. Please note the quantities used in the sub-assemblies.



PARTS LIST			
ITEM	QTY	PART NUMBER	DESCRIPTION
12	8	SSNNC-14	NYLOCK, SS - 1/4-20
38	5	TRPC-1012S	SCREW, PHILLIPS, #10 X 1/2
88	1	GB-12-C	GROUND BLOCK, 12 PORT
89	1	FB10	FUSE BLOCK, 10 PORT
90	1	V23232	RELAY, 2 POLE
91	2	TRPC-1434S	SCREW PHILLIPS, SS - 1/4-20 x 1
92	2	SSNNC 10-32	HEX NUT, NYLOCK, 10-32SS
94	6	NFW-14B	FLAT WASHER, 1/4", PLASTIC
107	2	SHCS-M4XM30	SOCKET HEAD CAP SCREW, M4 X M30 SS
108	2	SS NYLOCK M4	LOCK NUT, M4 SS
109	2	FWSS-4M	WASHER, 4MM SS

**NOTE:** Quantities in the parts list above are total per machine. Please note the quantities used in the sub-assemblies.