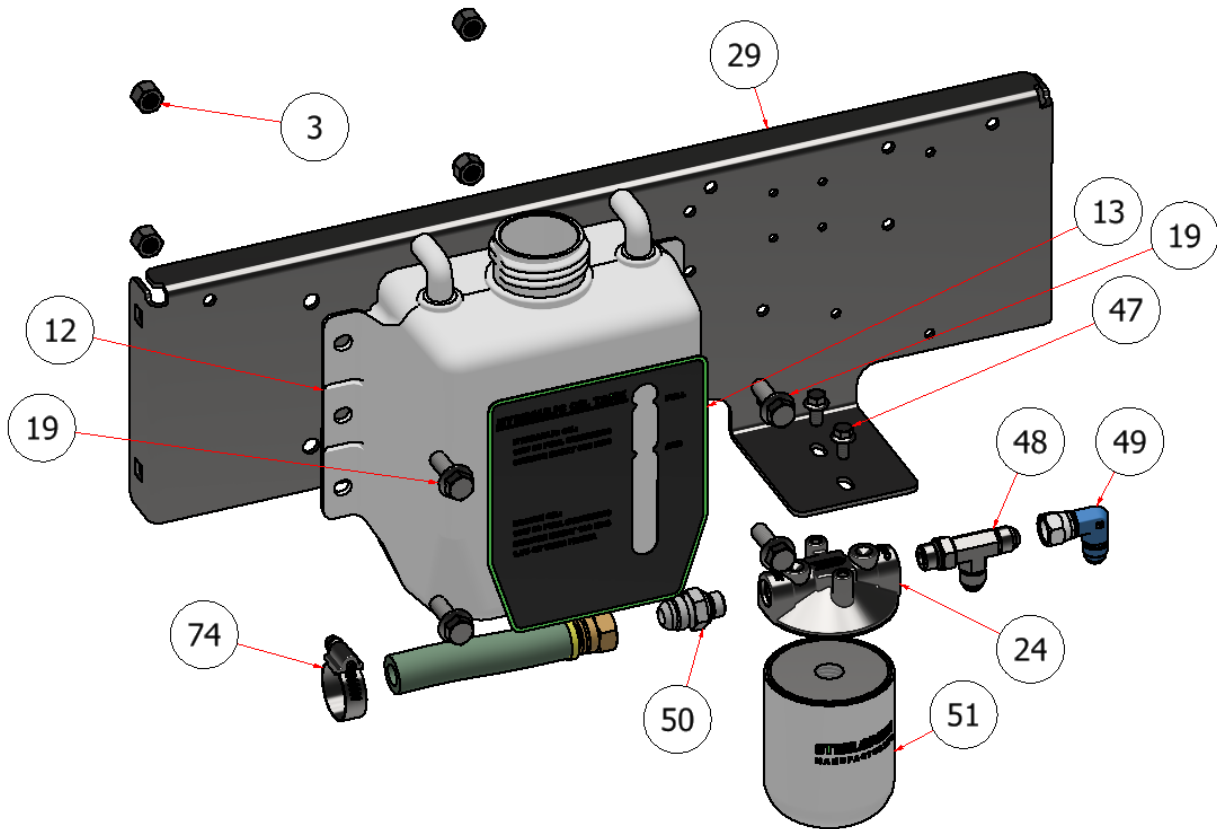


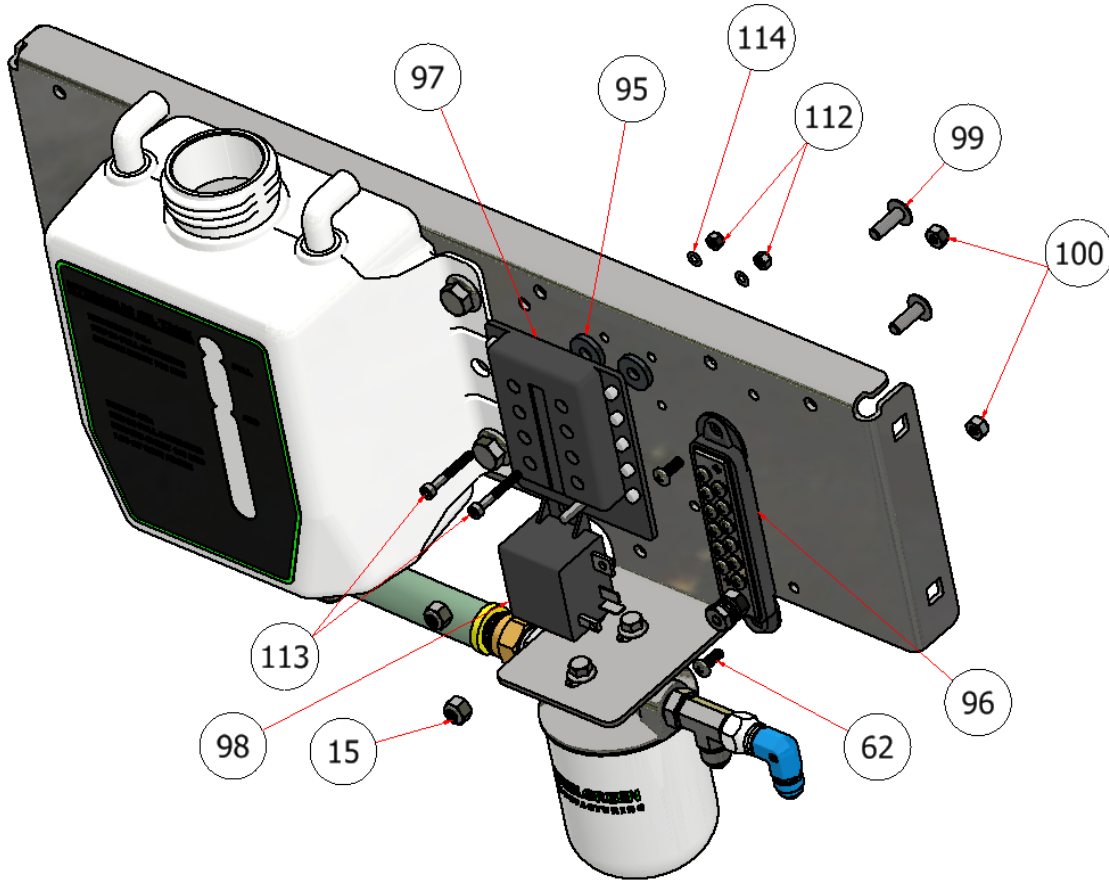
CROSS MEMBER SG46\SG52

DRAWING NO. SGEV-008 REV. 3



PARTS LIST			
ITEM	QTY	PART NUMBER	TITLE
3	6	SSNNC-38	NYLOCK, SS - 3/8-16
12	1	M10003	HYDRAULIC OIL TANK, 3QT
13	1	C60313	DECAL, HYDRAULIC OIL TANK
19	4	HFSSC-381	HEX FLANGE BOLT, SS - 3/8-16 x 1
24	1	H80405	OIL FILTER HOUSING
29	1	R21-030	SG52, 46 HYDRO TANK MOUNT
47	2	HFSSC-145	HEX FLANGE BOLT, SS - 1/4-20 x 1/2
48	1	H84021	3/8 M JIC X 3/8 M JIC X 3/8 ORB TEE
49	1	H84010	3/8 M JIC X 3/8 JIC 90 SWIVEL
50	1	H84019	1/2 M JIC X 3/8 ORB STG.
51	1	H80404	OIL FILTER, HYDRAULIC
74	9	12HS	HOSE CLAMP, 3/4

NOTE: Quantities in the parts list above are total per machine. Please note the quantities used in the sub-assemblies.



PARTS LIST			
ITEM	QTY	PART NUMBER	TITLE
15	11	SSNNC-14	NYLOCK, SS - 1/4-20
62	2	TRPC-1012S	SCREW, PHILLIPS, #10 X 1/2
95	2	NFW-14B	FLAT WASHER, 1/4", PLASTIC
96	1	GB-12-C	GROUND BLOCK, 12 PORT
97	1	FB10	FUSE BLOCK, 10 PORT
98	1	V23232	RELAY, 2 POLE
99	2	TRPC-1434S	SCREW, PHILLIPS, SS - 1/4-20 x 3/4
100	2	SSNNC 10-32	HEX NUT, NYLOCK, 10-32
112	2	SS NYLOCK M4	LOCK NUT, M4 SS
113	2	SHCS-M4XM30	SOCKET HEAD CAP SCREW, M4 X M30 SS
114	2	FWSS-4M	WASHER, 4MM SS

NOTE: Quantities in the parts list above are total per machine. Please note the quantities used in the sub-assemblies.