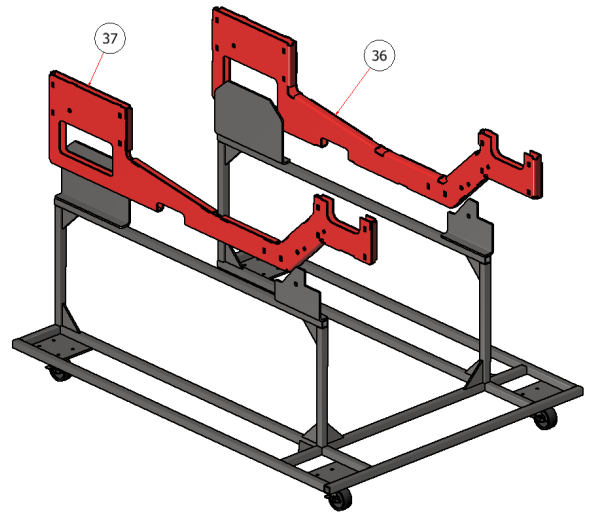
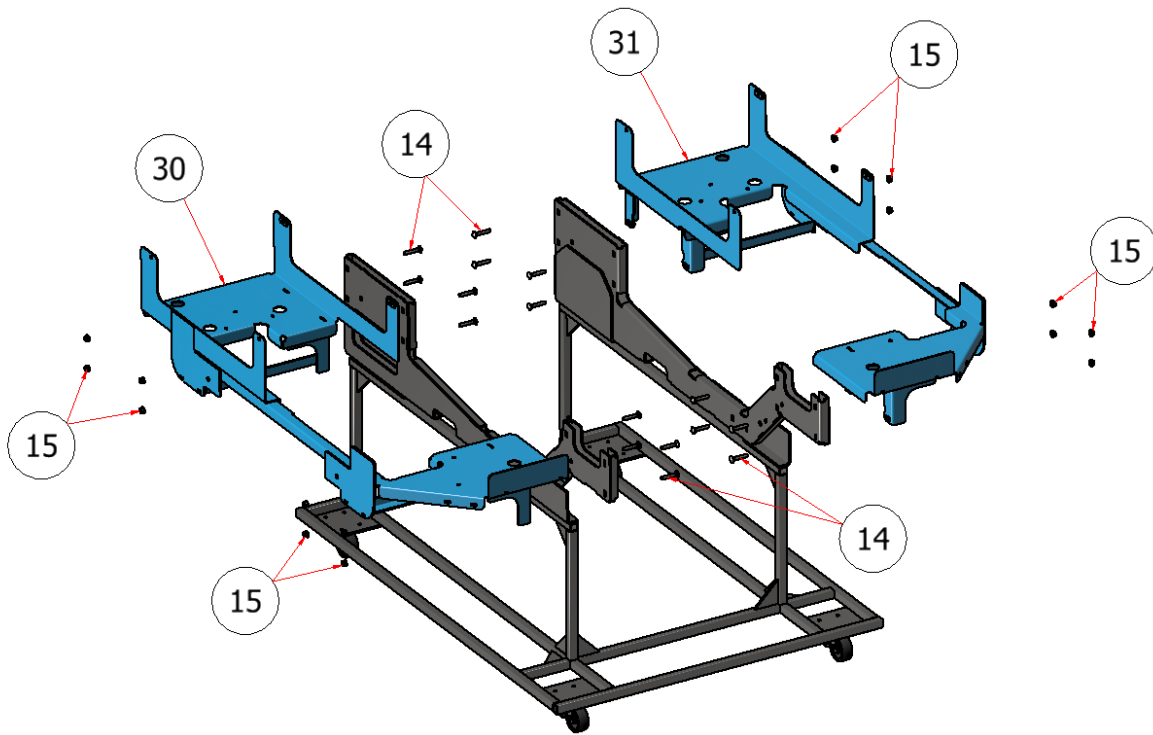


SGXL SPRAY SYSTEM

DRAWING NO. SGXLEV-041 REV. 3

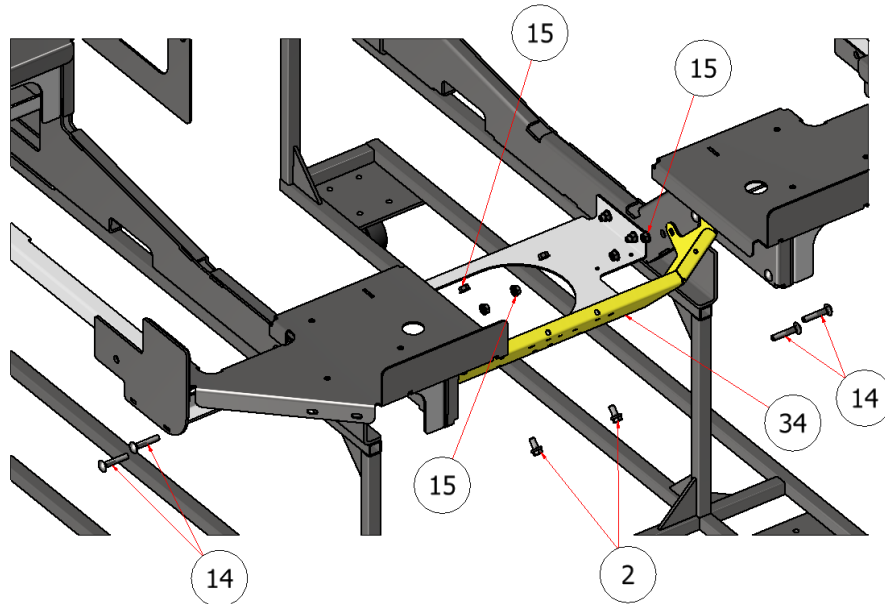
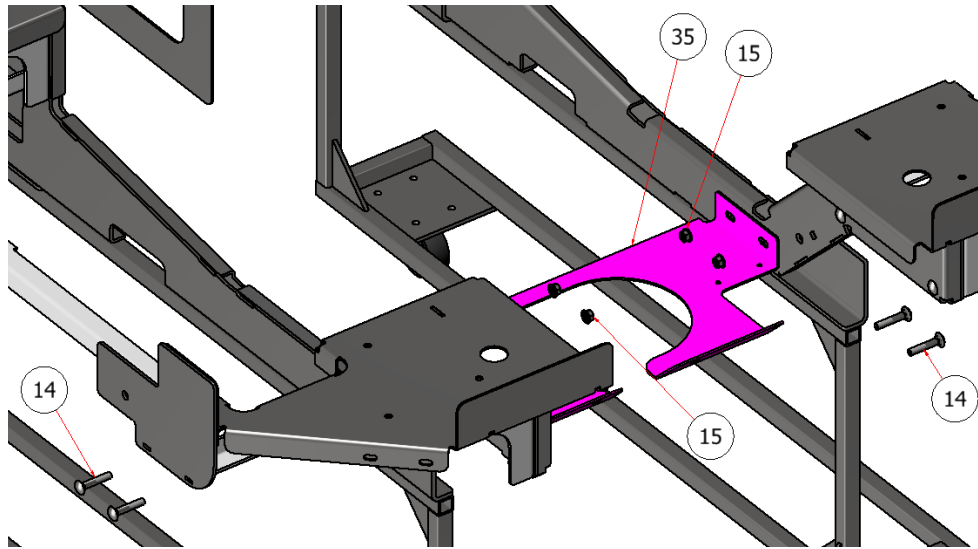


| PARTS LIST | | | |
|------------|-----|-------------|-------------------------------------|
| ITEM | QTY | PART NUMBER | TITLE |
| 36 | 1 | W23-275-L | SIDE RAIL, SGXL SPRAY SYSTEM, LEFT |
| 37 | 1 | W23-275-R | SIDE RAIL, SGXL SPRAY SYSTEM, RIGHT |



| PARTS LIST | | | |
|------------|-----|-------------|--------------------------------------|
| ITEM | QTY | PART NUMBER | TITLE |
| 14 | 24 | CB-33752SS | CARRIAGE BOLT, 38 X 2 |
| 15 | 32 | HFNCS-375S | HEX FLANGE NUT, 3/8 |
| 30 | 1 | W23-265 | TANK FRAME, SGXL SPRAY SYSTEM, RIGHT |
| 31 | 1 | W23-265_L | TANK FRAME, SGXL SPRAY SYSTEM, RIGHT |

NOTE: Quantities in the parts list above are total per machine. Please note the quantities used in the sub-assemblies.



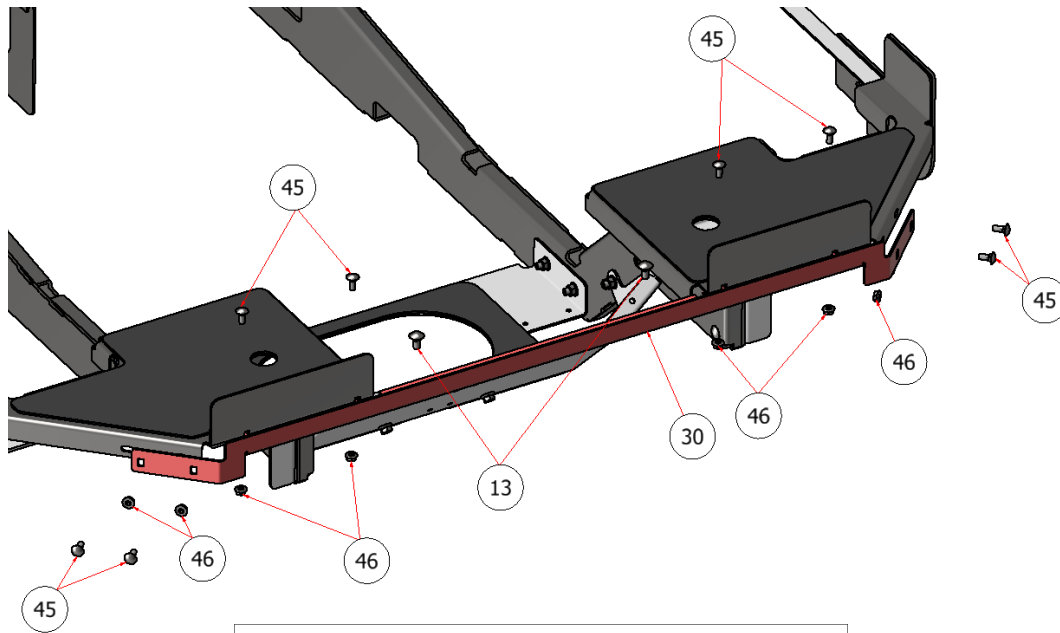
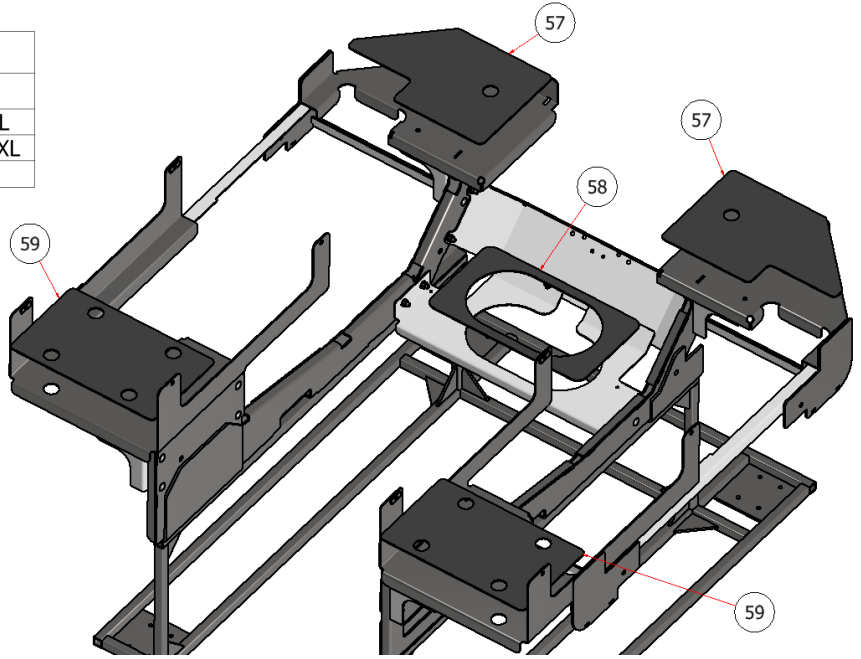
| PARTS LIST | | | |
|------------|-----|-------------|-----------------------------------|
| ITEM | QTY | PART NUMBER | TITLE |
| 2 | 26 | HFSSC-3875 | HEX BOLT, 3/8 X 3/4 |
| 14 | 24 | CB-33752SS | CARRIAGE BOLT, 3/8 X 2 |
| 15 | 32 | HFNC3-375S | HEX FLANGE NUT, 3/8 |
| 34 | 1 | R23-273 | SS SGXL SPRAY PUMP ASSEMBLY MOUNT |
| 35 | 1 | R23-274 | SS SGXL TANK SUPPORT BRACKET |

NOTE: Quantities in the parts list above are total per machine. Please note the quantities used in the sub-assemblies.

SGXL SPRAY SYSTEM

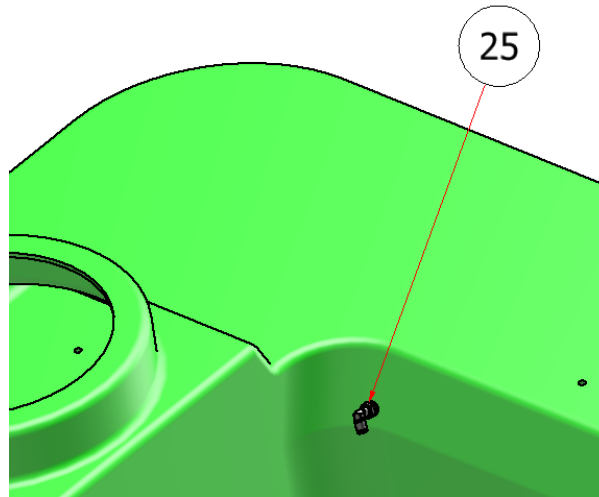
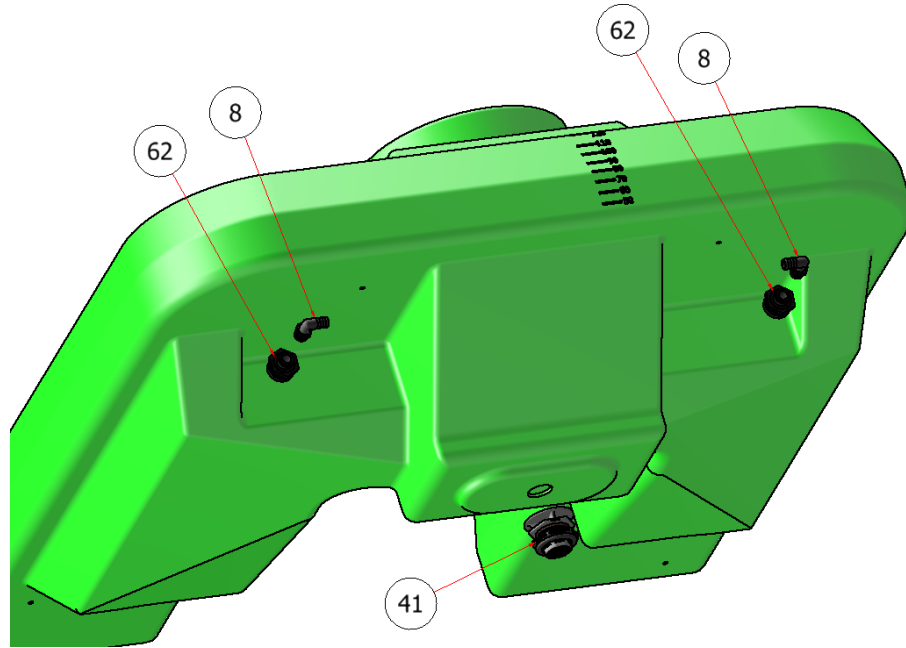


| PARTS LIST | | | |
|------------|-----|-------------|------------------------|
| ITEM | QTY | PART NUMBER | TITLE |
| 57 | 2 | C60381 | TANK PAD, FRONT, SGXL |
| 58 | 1 | C60382 | TANK PAD, CENTER, SGXL |
| 59 | 2 | C60380 | TANK PAD, REAR, SGXL |



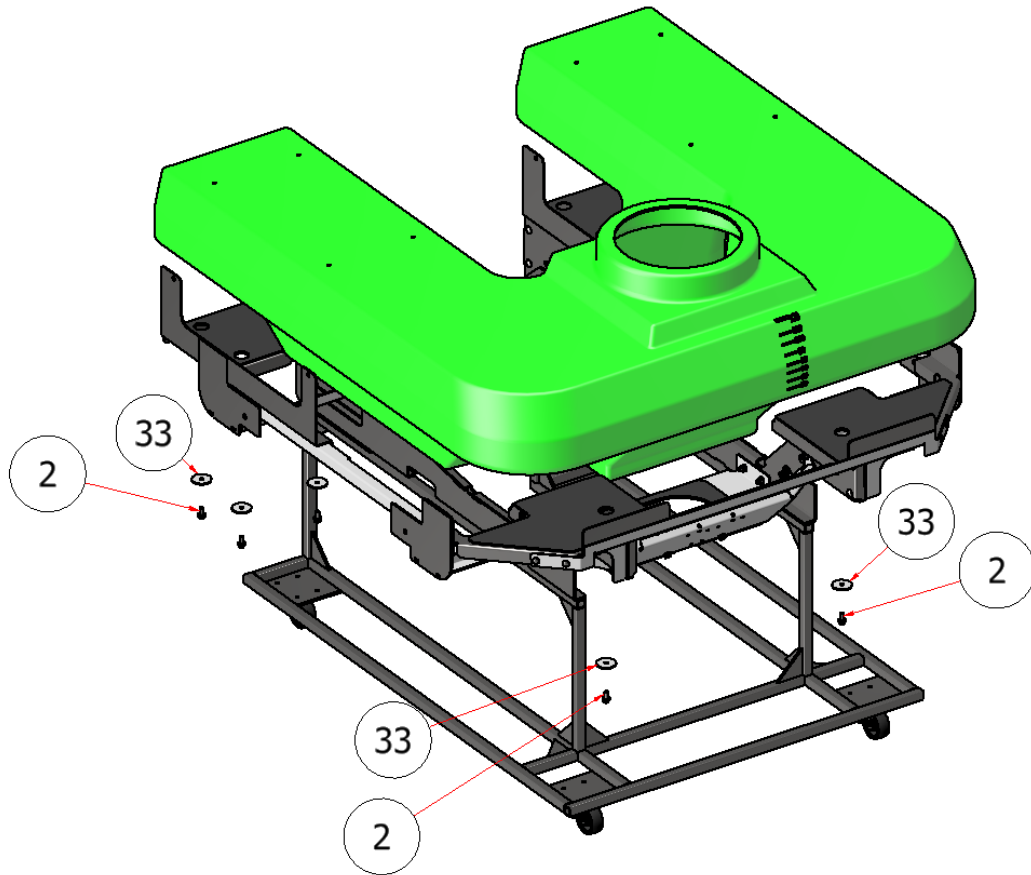
| PARTS LIST | | | |
|------------|-----|-------------|-----------------------------------|
| ITEM | QTY | PART NUMBER | TITLE |
| 13 | 10 | CB-3834SS | CARRIAGE BOLT, SS - 3/8-16 x 3/4 |
| 30 | 1 | R23-271 | SS SGXL TANK MOUNT CROSS SUPPORT |
| 45 | 8 | CB-51634 | CARRIAGE BOLT, SS - 5/16-18 x 3/4 |
| 46 | 8 | HFNC5-516S | HEX FLANGE NUT, 5/16 |

NOTE: Quantities in the parts list above are total per machine. Please note the quantities used in the sub-assemblies.



| PARTS LIST | | | |
|------------|-----|-------------|--|
| ITEM | QTY | PART NUMBER | TITLE |
| 8 | 2 | S52029 | BARB, 3/4 MPT x 3/4 BARB 90 |
| 25 | 1 | H84065 | FITTING, PUSH LOCK, 3/8 NPT X 1/4 TUBE |
| 41 | 1 | TF125AV | BULKHEAD, ANTI VORTEX, 1-1/4" |
| 62 | 2 | S51241 | BULKHEAD, 3/4 |

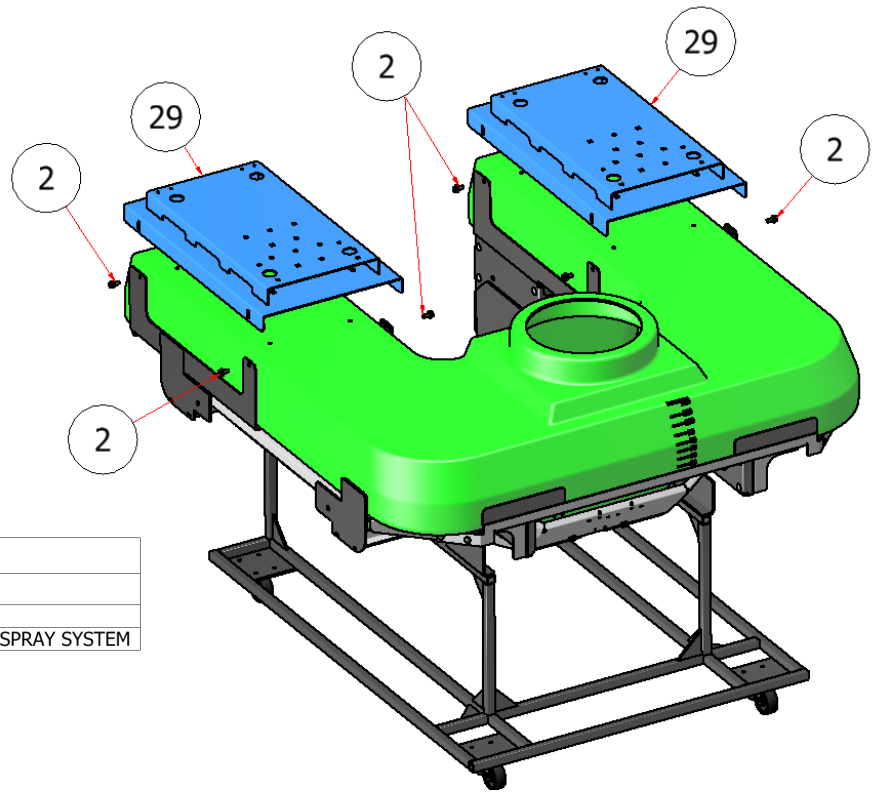
NOTE: Quantities in the parts list above are total per machine. Please note the quantities used in the sub-assemblies.



| PARTS LIST | | | |
|------------|-----|-------------|---------------------------|
| ITEM | QTY | PART NUMBER | TITLE |
| 2 | 26 | HFSSC-3875 | HEX BOLT, 3/8 X 3/4 |
| 33 | 8 | R23-272 | SS SGXL TANK FRAME WASHER |

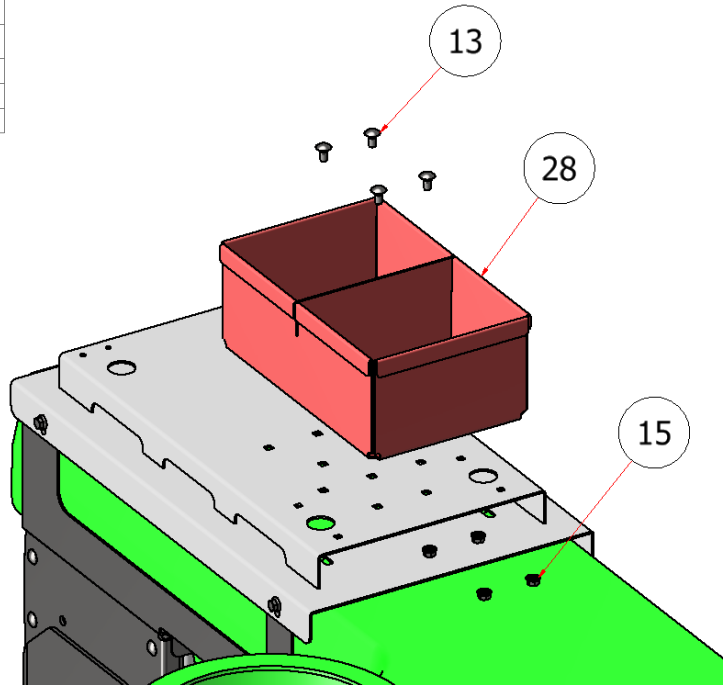
NOTE: Quantities in the parts list above are total per machine. Please note the quantities used in the sub-assemblies.

SGXL SPRAY SYSTEM

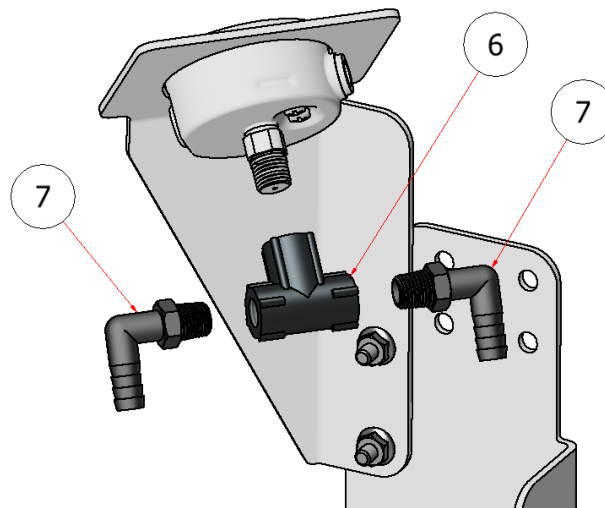
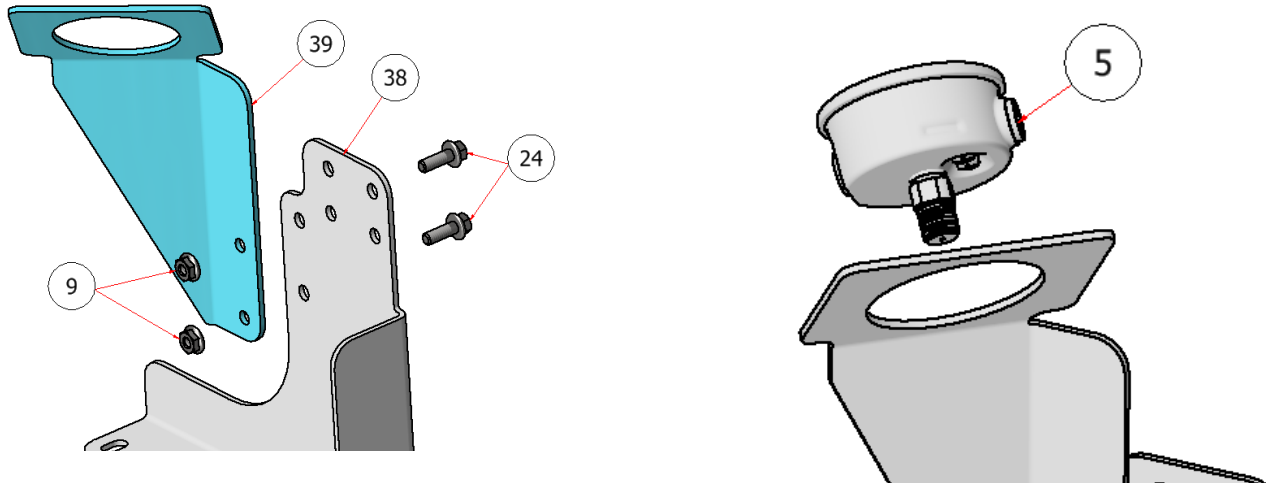


| PARTS LIST | | | |
|------------|-----|-------------|-------------------------------------|
| ITEM | QTY | PART NUMBER | TITLE |
| 2 | 26 | HFSSC-3875 | HEX BOLT, 3/8 X 3/4 |
| 29 | 2 | W23-263 | TANK PLATE ASSY., SGXL SPRAY SYSTEM |

| PARTS LIST | | | |
|------------|-----|-------------|----------------------------------|
| ITEM | QTY | PART NUMBER | TITLE |
| 13 | 10 | CB-3834SS | CARRIAGE BOLT, SS - 3/8-16 x 3/4 |
| 15 | 32 | HFNC3-375S | HEX FLANGE NUT, 3/8 |
| 28 | 1 | W23-261 | CHEM TRAY, SGXL, SPRAY SYSTEM |



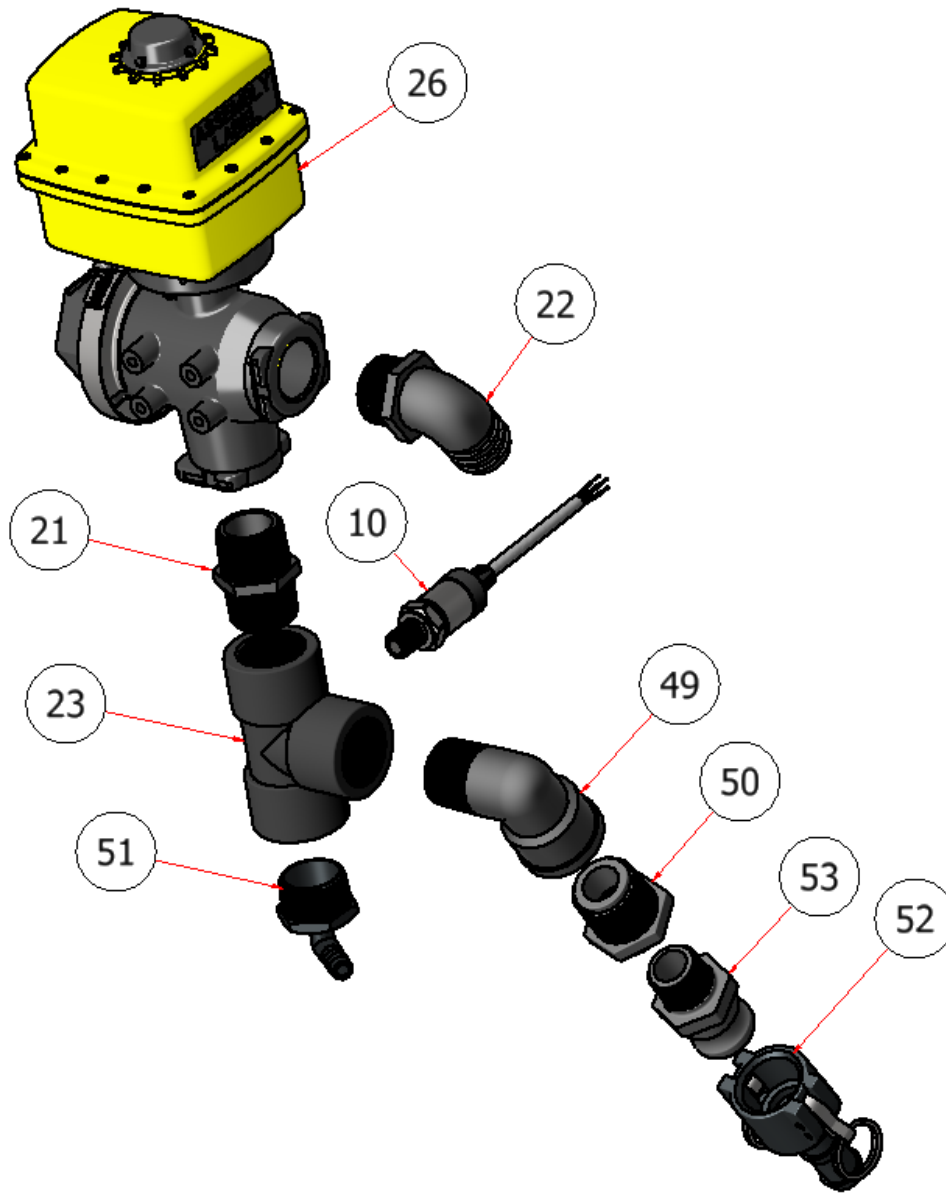
NOTE: Quantities in the parts list above are total per machine. Please note the quantities used in the sub-assemblies.



| PARTS LIST | | | |
|------------|-----|-------------|------------------------------|
| ITEM | QTY | PART NUMBER | TITLE |
| 5 | 1 | S51238 | PRESSURE GAUGE, 60 PSI |
| 9 | 4 | HFNC5-14SS | HEX FLANGE NUT, 1/4-20 |
| 24 | 6 | HFSSC-1475 | HEX FLANGE BOLT, 1/4 X 3/4 |
| 38 | 1 | R23-278 | SS SGXL MANIFOLD MOUNT |
| 39 | 1 | R23-279 | SS SGXL PRESSURE GAUGE MOUNT |

| PARTS LIST | | | |
|------------|-----|-------------|-------------------------------|
| ITEM | QTY | PART NUMBER | TITLE |
| 6 | 1 | S52003 | TEE FITTING, 1/4 FEMALE |
| 7 | 2 | S52021 | ELBOW, 90, 1/4 NPT X 3/8 BARB |

NOTE: Quantities in the parts list above are total per machine. Please note the quantities used in the sub-assemblies.



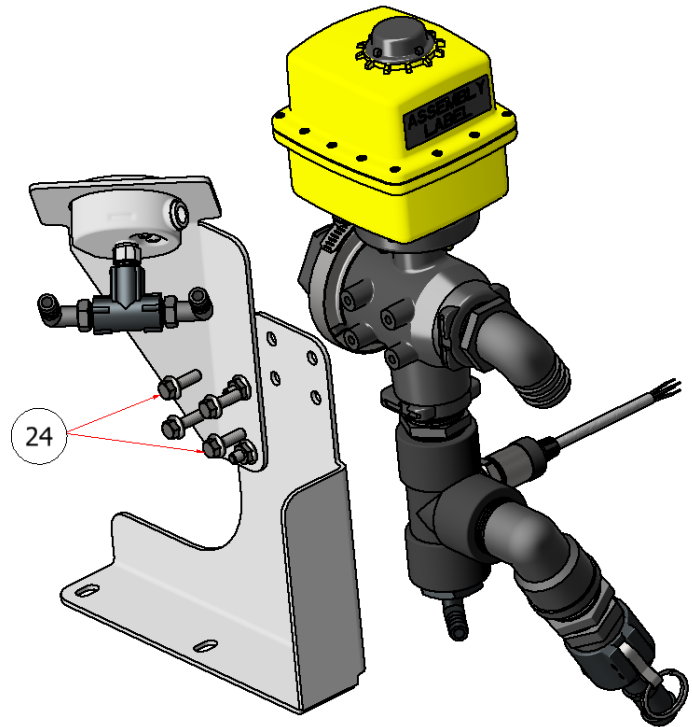
| PARTS LIST | | | |
|------------|-----|-------------|---------------------------------------|
| ITEM | QTY | PART NUMBER | TITLE |
| 10 | 1 | S54034 | SENSOR, PRESSURE |
| 21 | 1 | S52063-1 | 1" NPT STG |
| 22 | 1 | S52101-90 | 1" NPT X 1" BARB ELBOW |
| 23 | 1 | TT10014P | 1 FNPT, PIPE TEE, 1/4 FNPT GAUGE PORT |
| 26 | 1 | S54043 | KZ VALVE, 1" |
| 49 | 1 | S52041-1 | 1" NPT MALE X 1" NPT FEMALE |
| 50 | 1 | S52052 | BUSHING, REDUCER, 1" X 3/4" |
| 51 | 1 | S52049 | BARB FITTING, 1" NPT X 3/8" BARB |
| 52 | 1 | 075C | CAM LOCK, 3/4 X 3/4 BARB |
| 53 | 1 | 075F | QD FITTING, 3/4, MNPT |

NOTE: Quantities in the parts list above are total per machine. Please note the quantities used in the sub-assemblies.

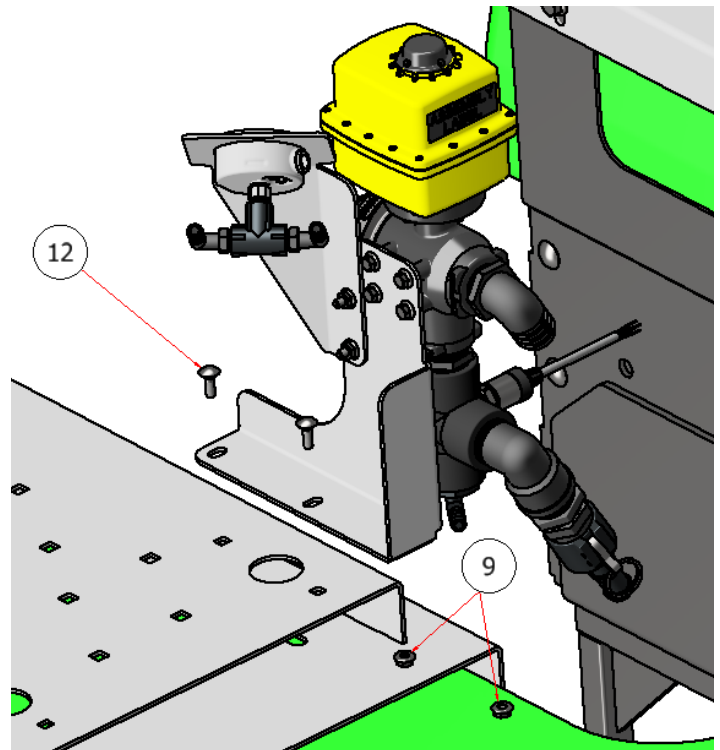
SGXL SPRAY SYSTEM



| PARTS LIST | | | |
|------------|-----|-------------|----------------------------|
| ITEM | QTY | PART NUMBER | TITLE |
| 24 | 6 | HFSSC-1475 | HEX FLANGE BOLT, 1/4 X 3/4 |



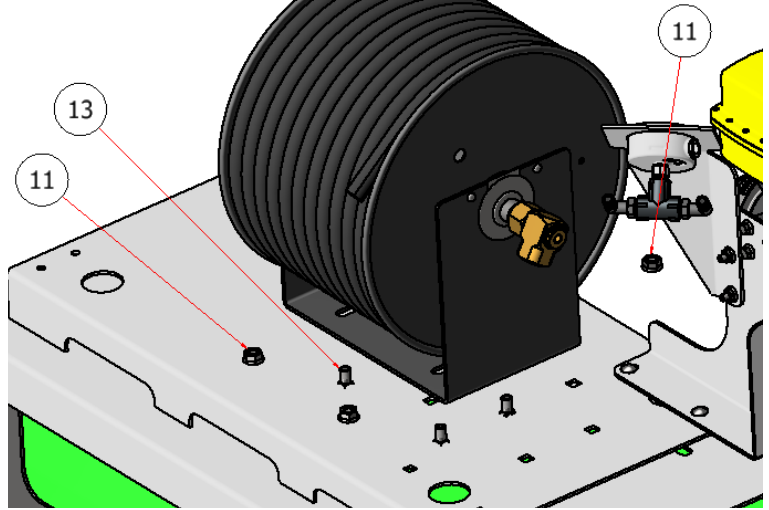
| PARTS LIST | | | |
|------------|-----|-------------|-------------------------------|
| ITEM | QTY | PART NUMBER | TITLE |
| 9 | 4 | HFNCS-14SS | HEX FLANGE NUT, 1/4-20 |
| 12 | 2 | CB-2575SS | CARRIAGE BOLT, 1/4" X 3/4" SS |



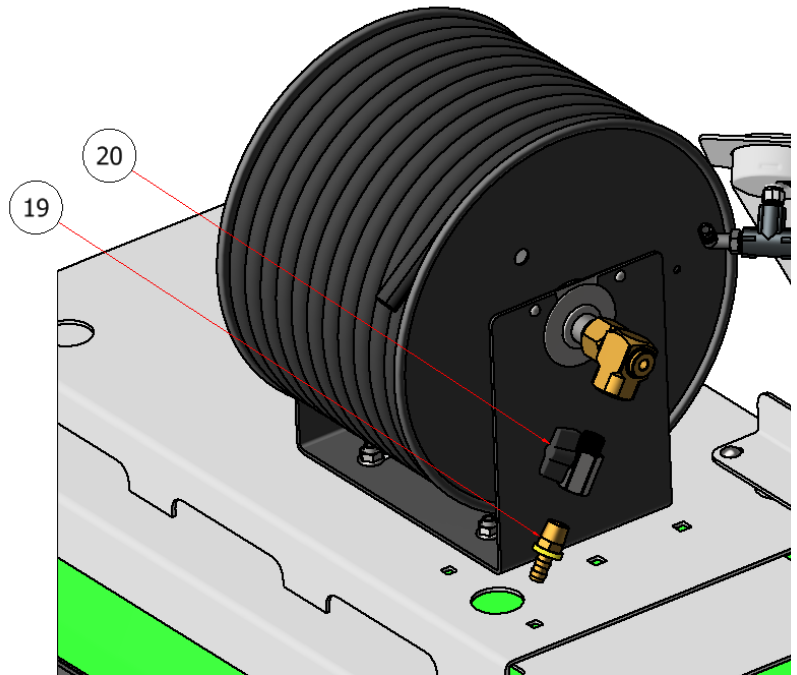
NOTE: Quantities in the parts list above are total per machine. Please note the quantities used in the sub-assemblies.

SGXL SPRAY SYSTEM

| PARTS LIST | | | |
|------------|-----|-------------|----------------------------------|
| ITEM | QTY | PART NUMBER | TITLE |
| 11 | 4 | HFNCS-38S | HEX FLANGE NUT, SS - 3/8-16 |
| 13 | 10 | CB-3834SS | CARRIAGE BOLT, SS - 3/8-16 x 3/4 |



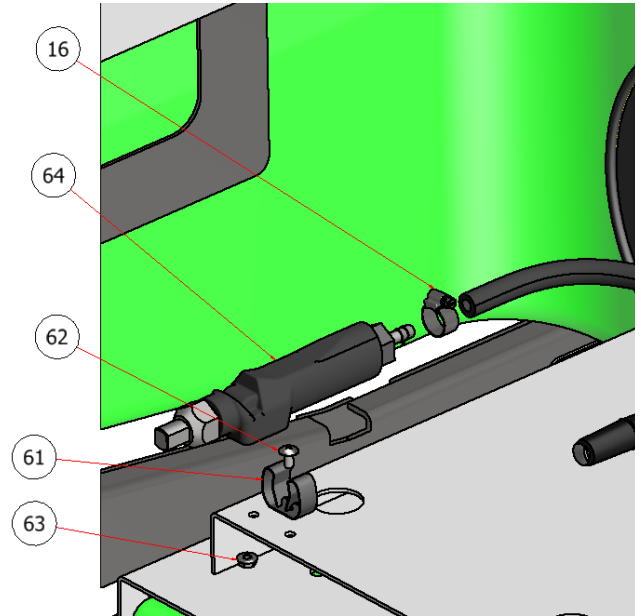
| PARTS LIST | | | |
|------------|-----|-------------|-------------------------------------|
| ITEM | QTY | PART NUMBER | TITLE |
| 19 | 1 | H84023 | FITTING, HOSE REEL, 3/8 BARB, BRASS |
| 20 | 1 | S512777 | BALL VALVE, 3/8 |



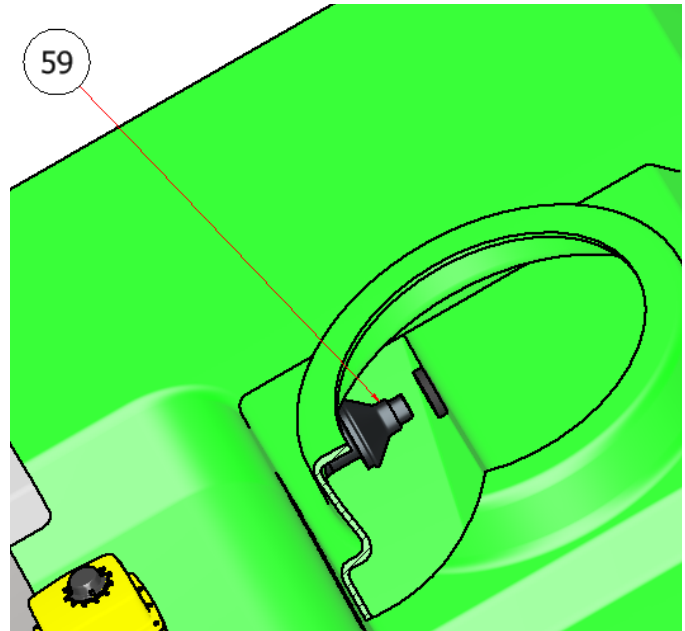
NOTE: Quantities in the parts list above are total per machine. Please note the quantities used in the sub-assemblies.

SGXL SPRAY SYSTEM

| PARTS LIST | | | |
|------------|-----|-------------|-----------------------------|
| ITEM | QTY | PART NUMBER | TITLE |
| 16 | 5 | MS4 | HOSE CLAMP, 3/8 |
| 61 | 1 | S53018 | TOOL CLIP |
| 62 | 1 | TRPC-145S | PHILLIPS SCREW, 1/4" X 1/2" |
| 63 | 1 | HFNCS-14S | HEX NUT, 1/4 |
| 64 | 1 | DS2 | SPRAY GUN, DRAMM |



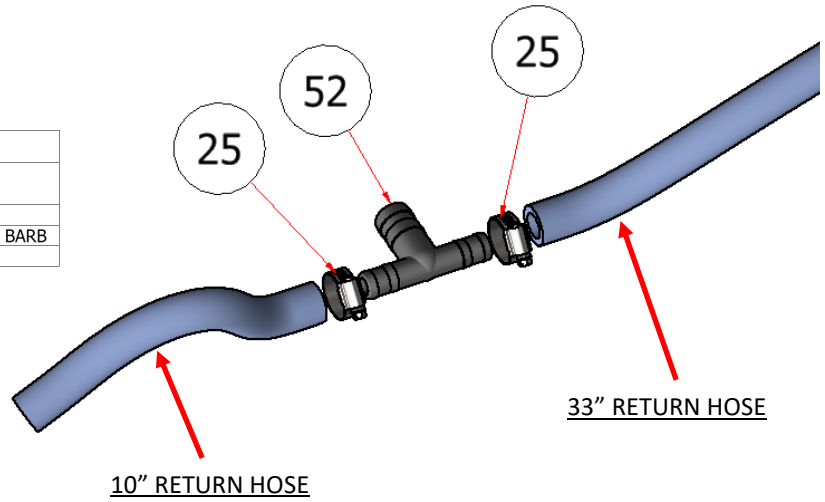
| PARTS LIST | | | |
|------------|-----|-------------|--------------------------|
| ITEM | QTY | PART NUMBER | TITLE |
| 59 | 2 | S54008 | TANK MIXING NOZZLE, 3/4" |



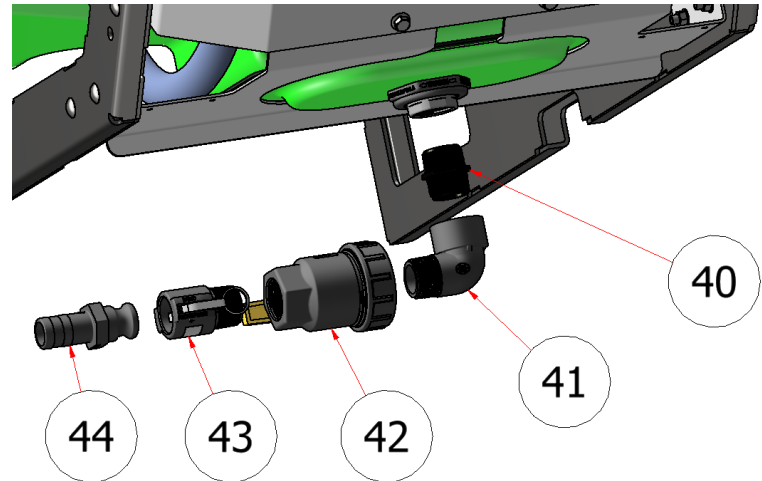
NOTE: Quantities in the parts list above are total per machine. Please note the quantities used in the sub-assemblies.

SGXL SPRAY SYSTEM

| PARTS LIST | | | |
|------------|-----|-------------|--|
| ITEM | QTY | PART NUMBER | TITLE |
| 25 | 4 | 12HS | HOSE CLAMP, 3/4" |
| 52 | 1 | 22FM99 | TEE FITTING, 1" BARB X 3/4" BARB X 3/4" BARB |
| 65 | 1 | 10536 | STRAINER BASKET, 12" |



| PARTS LIST | | | |
|------------|-----|-------------|------------------------------|
| ITEM | QTY | PART NUMBER | TITLE |
| 40 | 1 | 3M114 | PIPE NIPPLE, 1-1/4" |
| 41 | 1 | 3SE114 | STREET ELBOW, 1-1/4" |
| 42 | 1 | S52104 | BALL VALVE, 1-1/4" |
| 43 | 1 | 125B | CAM-LOCK, FEMALE, 1 X 1-1/4" |
| 44 | 1 | 125E | CAM-LOCK, 1 X 1-1/4" |

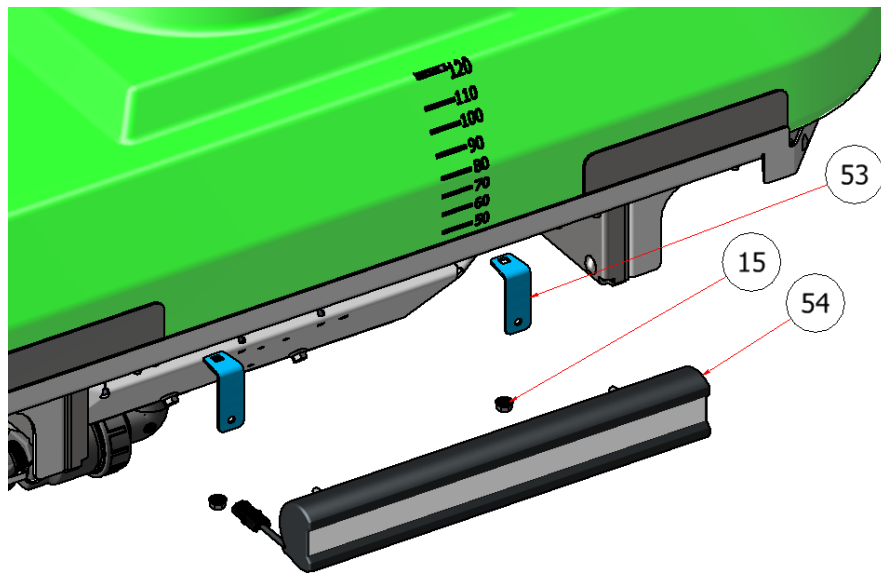
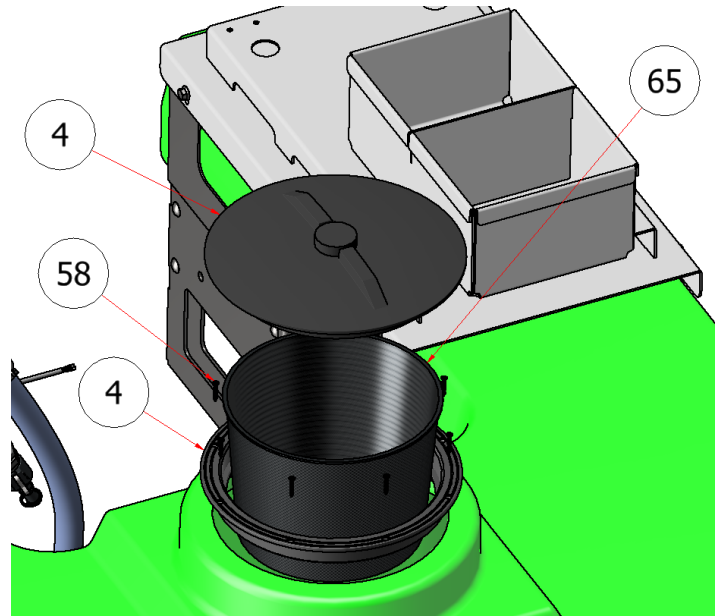


NOTE: Quantities in the parts list above are total per machine. Please note the quantities used in the sub-assemblies.

SGXL SPRAY SYSTEM

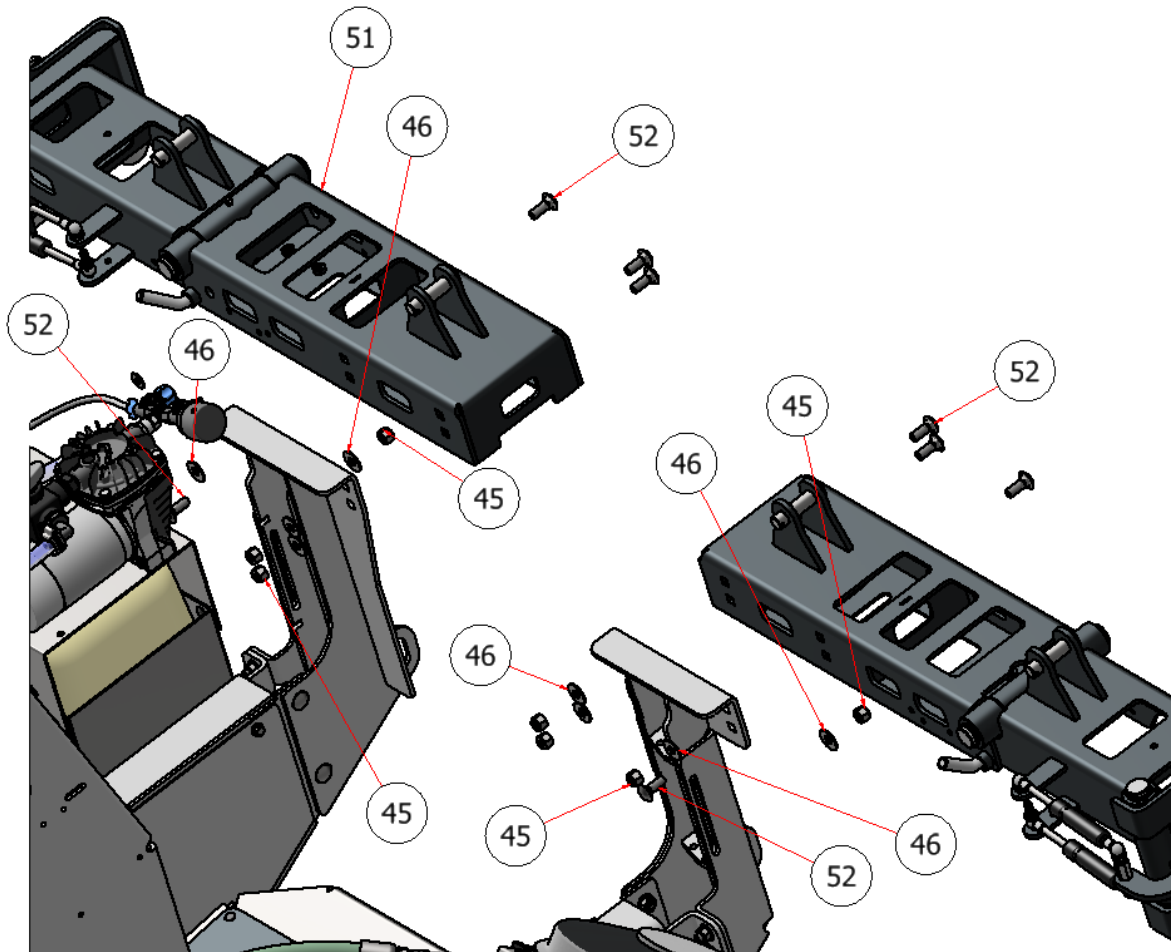


| PARTS LIST | | | |
|------------|-----|-------------|-------------------------------------|
| ITEM | QTY | PART NUMBER | TITLE |
| 4 | 1 | 10527 | TANK LID & RING, 12" |
| 58 | 8 | PP-10114SS | SCREW, FLAT, SELF TAP, #10 X 1-1/4" |
| 65 | 1 | 10536 | STRAINER BASKET, 12" |



| PARTS LIST | | | |
|------------|-----|-------------|-------------------------|
| ITEM | QTY | PART NUMBER | TITLE |
| 15 | 32 | HFNCS-375S | HEX FLANGE NUT, 3/8 |
| 53 | 2 | R23-256 | SS SGXL LIGHT BAR MOUNT |
| 54 | 1 | E40210 | LIGHT BAR, LED |

NOTE: Quantities in the parts list above are total per machine. Please note the quantities used in the sub-assemblies.



| PARTS LIST | | | |
|------------|-----|-------------|--------------------------------|
| ITEM | QTY | PART NUMBER | TITLE |
| 45 | 8 | SSNNC-38 | NYLOCK, SS - 3/8-16 |
| 46 | 8 | FWSS-38 | FLAT WASHER, SS - 3/8 |
| 47 | 1 | 125E | CAM-LOCK, 1 X 1-1/4 |
| 51 | 1 | S51499 | SPRAY BOOM ASSEMBLY, 14FT. |
| 52 | 8 | CB-381SS | CARRIAGE BOLT, SS - 3/8-16 x 1 |

NOTE: Quantities in the parts list above are total per machine. Please note the quantities used in the sub-assemblies.

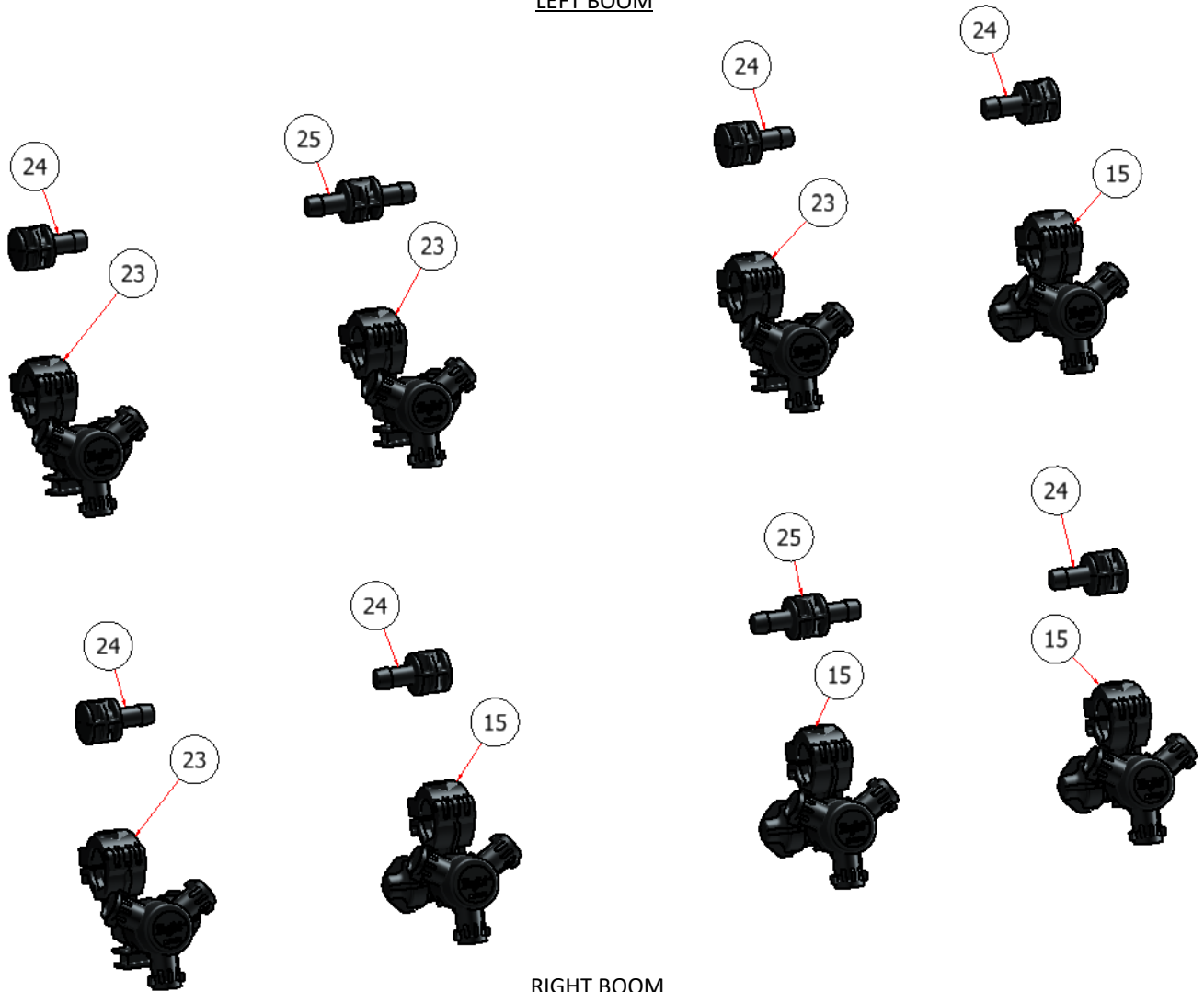
SGXL SPRAY SYSTEM



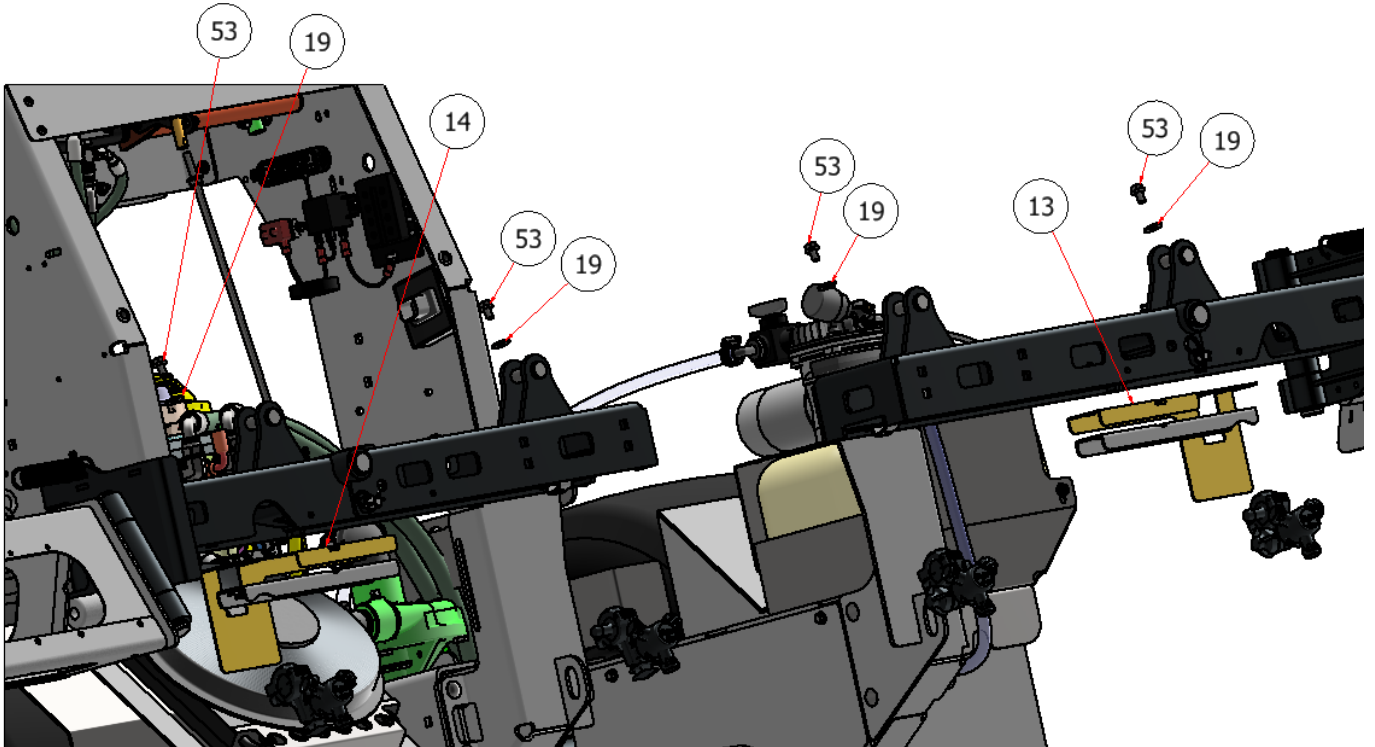
| PARTS LIST | | | |
|------------|-----|-----------------|---|
| ITEM | QTY | PART NUMBER | TITLE |
| 15 | 4 | QJ373-L-3/4-NYB | SPRAY NOZZLE, TEEJET, QJ370 |
| 20 | 8 | HNSS-516 | HEX NUT, 5/16 |
| 23 | 4 | QJ373-0.750 (1) | NOZZLE BODY, TEE-JET, SGXL, LEFT |
| 24 | 6 | CP38936 | FITTING, TEEJET SPRAY VALVE 1/2" BARB |
| 25 | 2 | 38937-NYB | TEE FITTING, TEE-JET SPRAY VALVE, 1/2" BARB |



LEFT BOOM



NOTE: Quantities in the parts list above are total per machine. Please note the quantities used in the sub-assemblies.



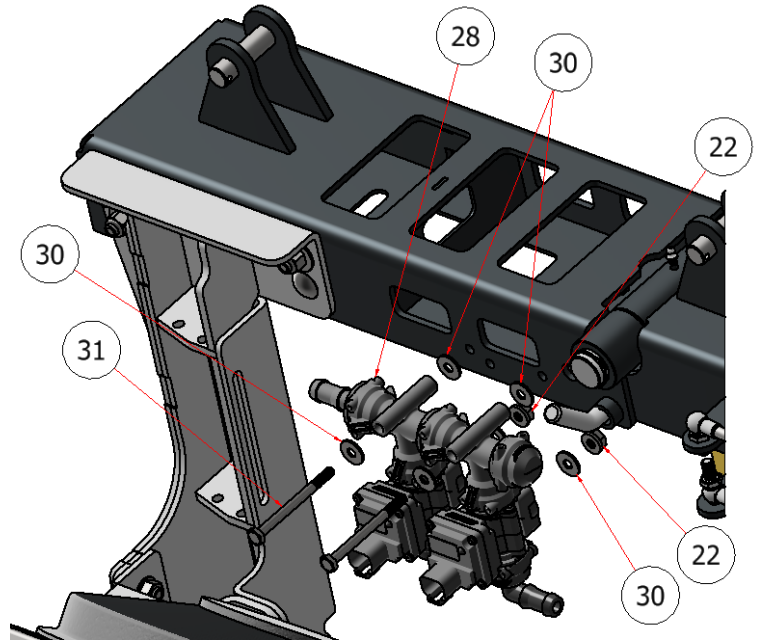
| PARTS LIST | | | |
|------------|-----|-------------|---|
| ITEM | QTY | PART NUMBER | TITLE |
| 13 | 1 | R23-313-R | SGXL CENTER NOZZLE PROTECTOR BRACKET, RIGHT |
| 14 | 1 | R23-313-L | SGXL CENTER NOZZLE PROTECTOR BRACKET, LEFT |
| 19 | 8 | FWSS-516 | FLAT WASHER, 5/16 |
| 53 | 8 | HFSSC-31350 | HEX BOLT, 3/8" X 1/2" SS |

NOTE: Quantities in the parts list above are total per machine. Please note the quantities used in the sub-assemblies.

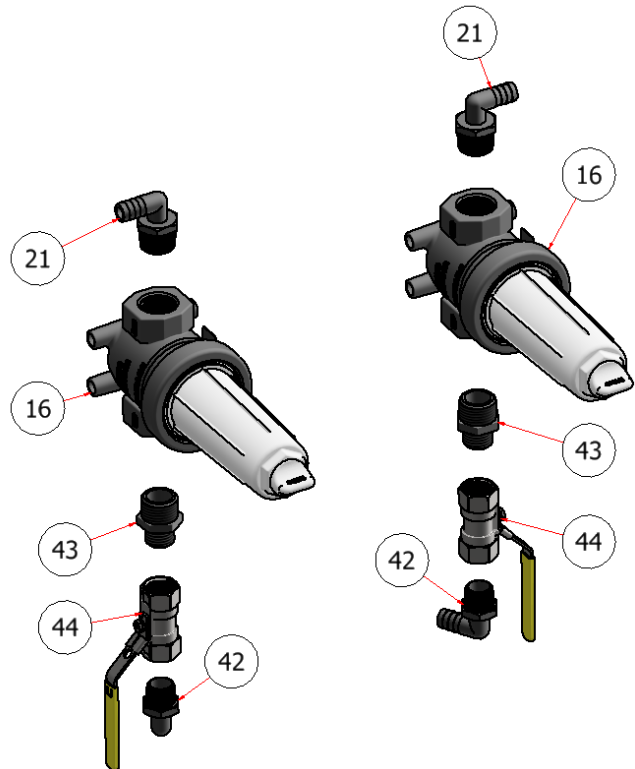
SGXL SPRAY SYSTEM



| PARTS LIST | | | |
|------------|-----|-------------|-----------------------------------|
| ITEM | QTY | PART NUMBER | TITLE |
| 22 | 10 | HFNCS-25S | HEX FLANGE NUT, 1/4 |
| 28 | 1 | S54041-L | ASSEMBLY, SPRAY VALVE, SGXL, LEFT |
| 29 | 1 | S54041-R | ASSEMBLY, SPRAY VALVE, SGXL, LEFT |
| 30 | 16 | FWSS-14 | FLAT WASHER, SS - 1/4 |
| 31 | 4 | HFSSC-143 | HEX BOLT, 1/4 X 3 SS |



| PARTS LIST | | | |
|------------|-----|-------------|--------------------------|
| ITEM | QTY | PART NUMBER | TITLE |
| 16 | 2 | S51278 | 3/4" T-STRAINER, 50 MESH |
| 21 | 2 | S52028 | ELBOW, 3/4 X 1/2 BARB |
| 42 | 2 | S52025 | 1/2 MPT X 1/2 BARB |
| 43 | 2 | S52064 | 3/4 X 1/2 REDUCER |
| 44 | 2 | S51296-1/2 | BALL VALVE, 1/2"SS |



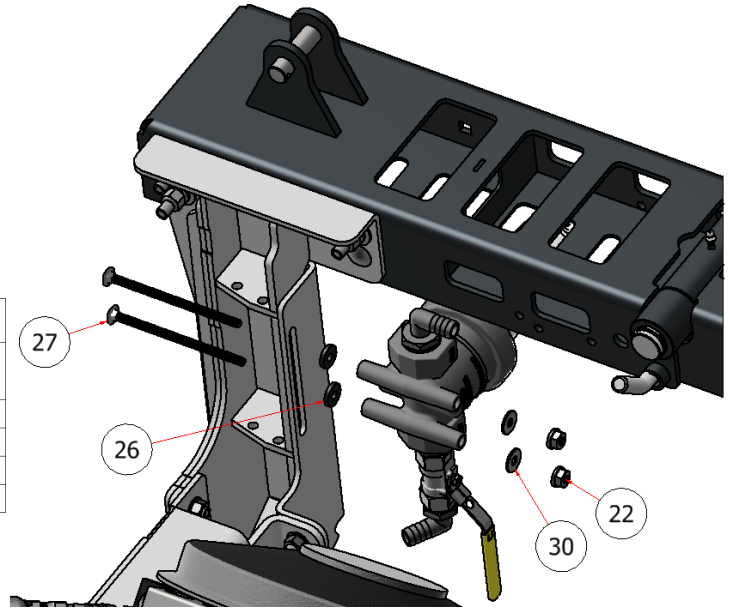
LEFT

RIGHT

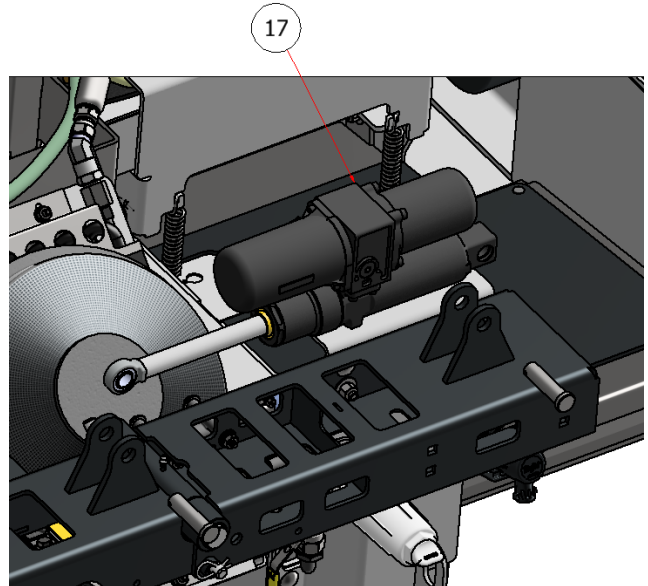
NOTE: Quantities in the parts list above are total per machine. Please note the quantities used in the sub-assemblies.

SGXL SPRAY SYSTEM

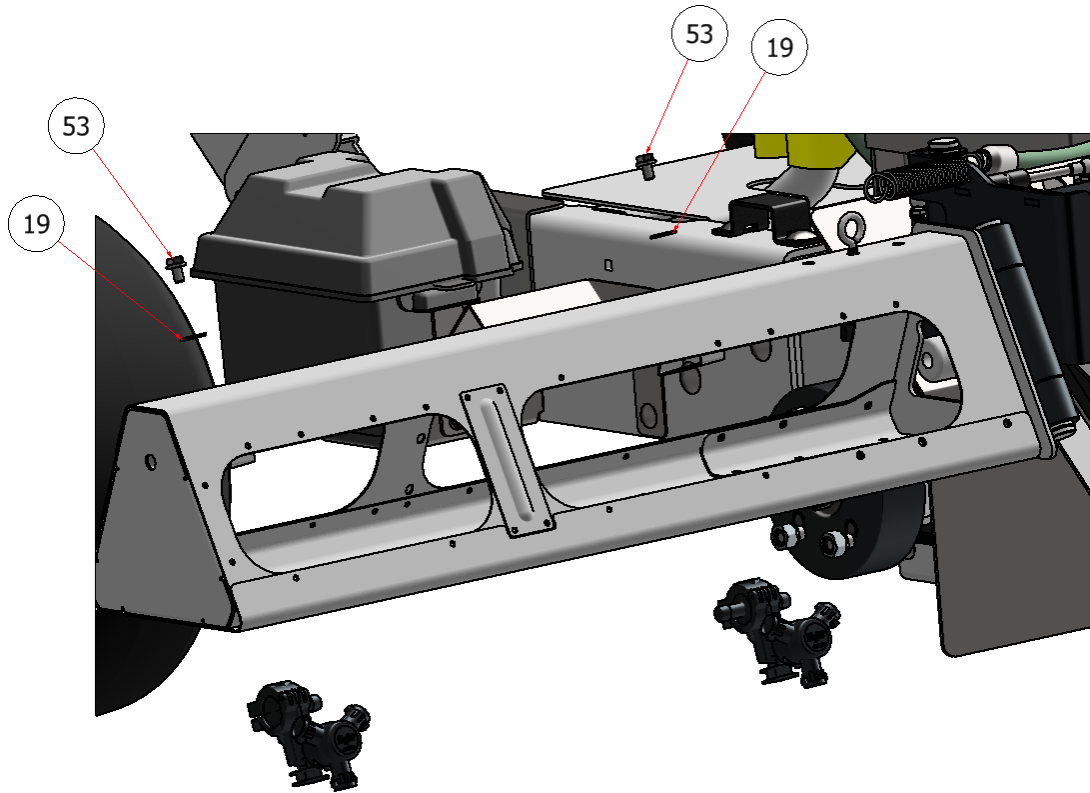
| PARTS LIST | | | |
|------------|-----|-------------|-------------------------------|
| ITEM | QTY | PART NUMBER | TITLE |
| 22 | 10 | HFNCS-25S | HEX FLANGE NUT, 1/4 |
| 26 | 4 | NFW-14B | FLAT WASHER, 1/4", PLASTIC |
| 27 | 4 | CB-14450SS | CARRIAGE BOLT, 1/4 X 4-1/2 SS |
| 30 | 16 | FWSS-14 | FLAT WASHER, SS - 1/4 |



| PARTS LIST | | | |
|------------|-----|-------------|-------------------------------|
| ITEM | QTY | PART NUMBER | TITLE |
| 17 | 2 | E4200-01477 | LIFT CYLINDER, EOH, 6" STROKE |



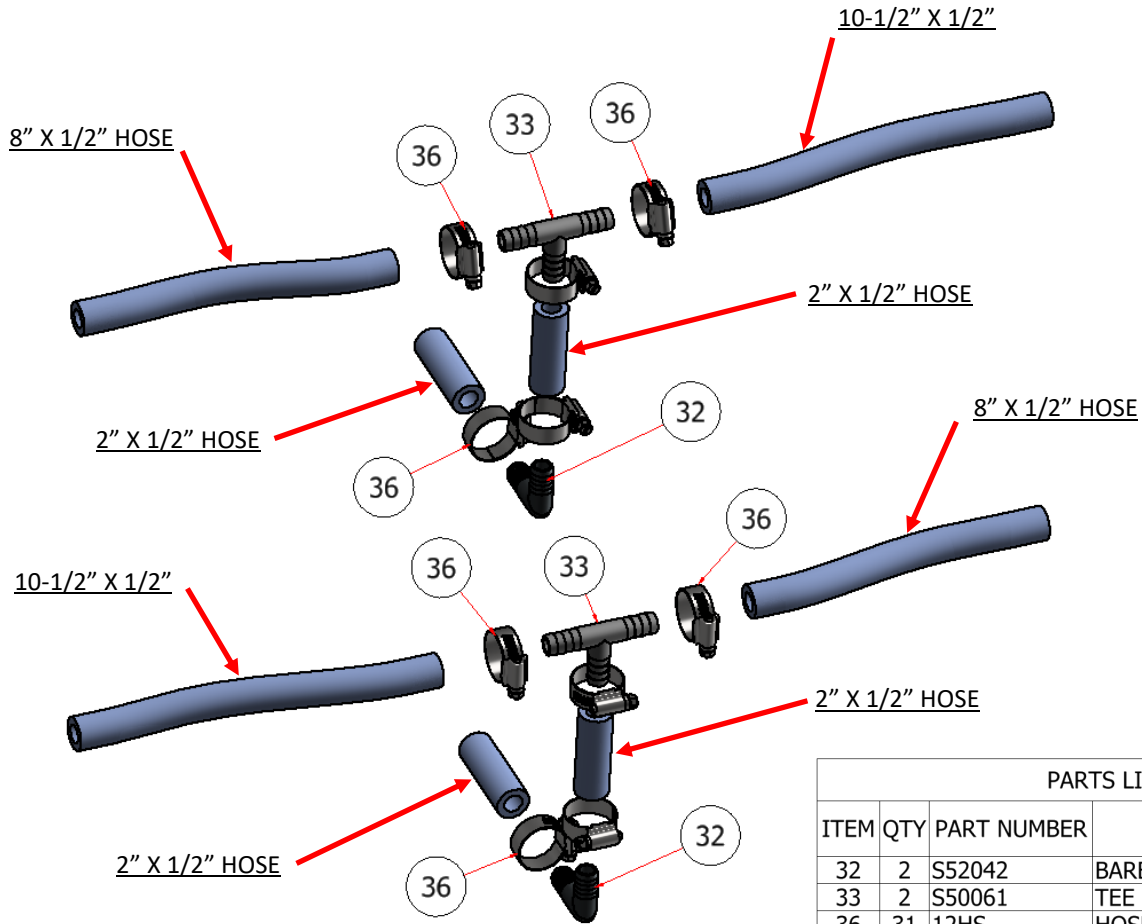
NOTE: Quantities in the parts list above are total per machine. Please note the quantities used in the sub-assemblies.



| PARTS LIST | | | |
|------------|-----|-------------|--------------------------|
| ITEM | QTY | PART NUMBER | TITLE |
| 19 | 8 | FWSS-516 | FLAT WASHER, 5/16 |
| 53 | 8 | HFSSC-31350 | HEX BOLT, 3/8" X 1/2" SS |

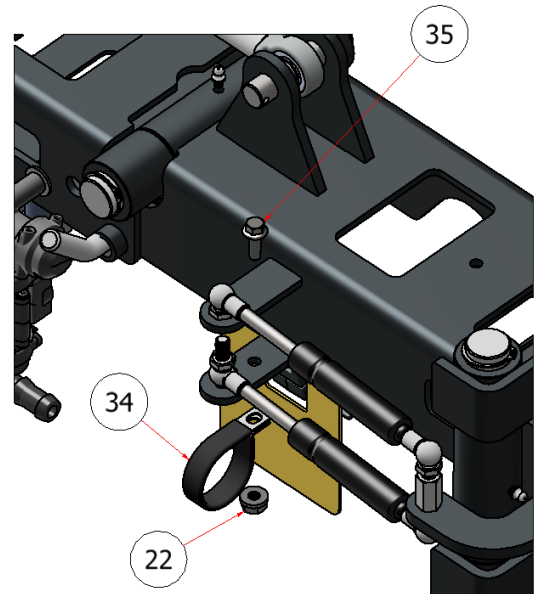
NOTE: Quantities in the parts list above are total per machine. Please note the quantities used in the sub-assemblies.

SGXL SPRAY SYSTEM

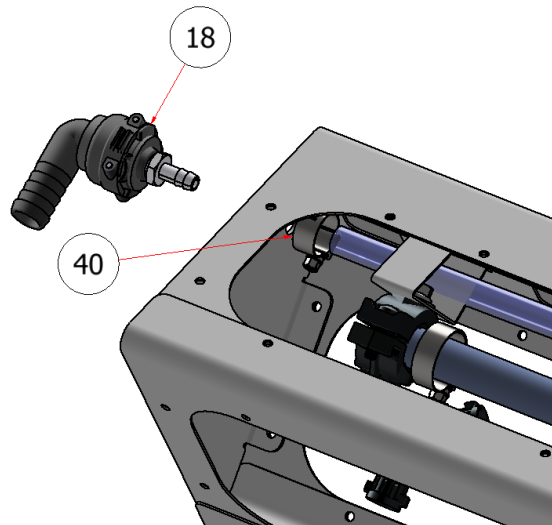
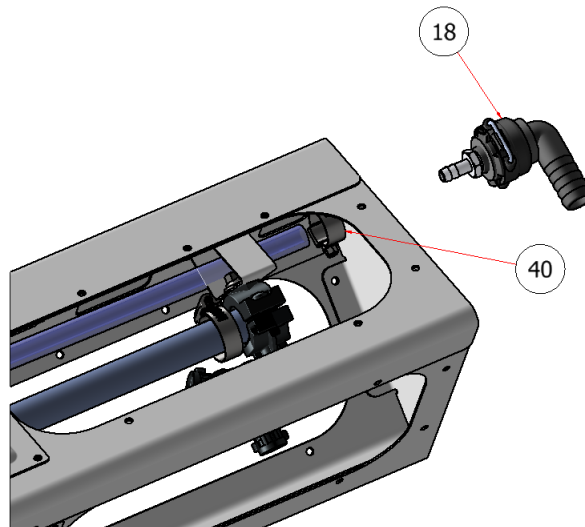


| PARTS LIST | | | |
|------------|-----|-------------|--------------------------|
| ITEM | QTY | PART NUMBER | TITLE |
| 32 | 2 | S52042 | BARB FITTING, 1/2, ELBOW |
| 33 | 2 | S50061 | TEE FITTING, BARB, 1/2 |
| 36 | 31 | 12HS | HOSE CLAMP, 3/4 |

| PARTS LIST | | | |
|------------|-----|-------------|----------------------------|
| ITEM | QTY | PART NUMBER | TITLE |
| 22 | 10 | HFNCS-25S | HEX FLANGE NUT, 1/4 |
| 34 | 2 | RBC-112 | LOOP CLAMP, 1-1/2 |
| 35 | 2 | HFSSC-1475 | HEX FLANGE BOLT, 1/4 X 3/4 |



NOTE: Quantities in the parts list above are total per machine. Please note the quantities used in the sub-assemblies.

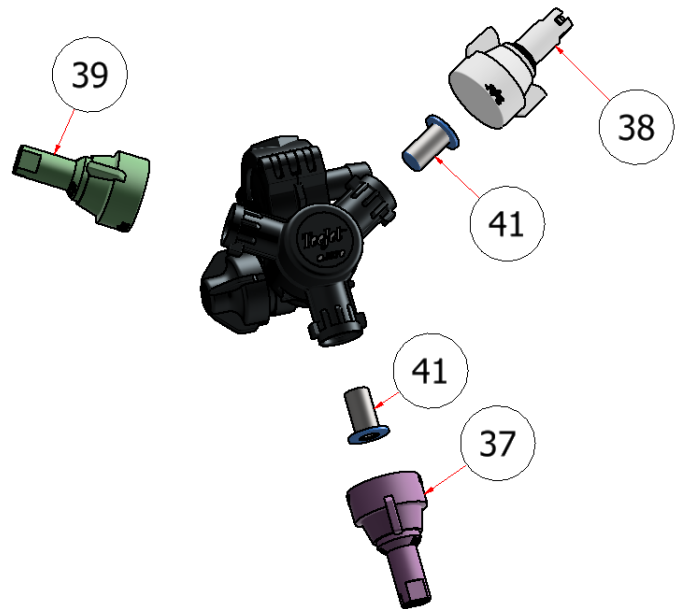
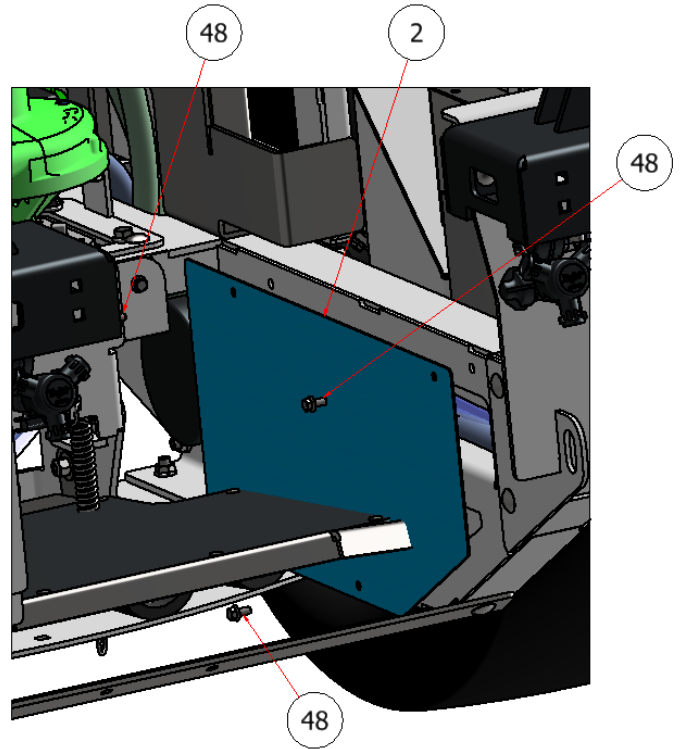


| PARTS LIST | | | |
|------------|-----|-------------|----------------------|
| ITEM | QTY | PART NUMBER | TITLE |
| 18 | 2 | 901699 | DROPPER, FOAM MARKER |
| 40 | 4 | MS4 | HOSE CLAMP, 3/8 |

NOTE: Quantities in the parts list above are total per machine. Please note the quantities used in the sub-assemblies.

SGXL SPRAY SYSTEM

| PARTS LIST | | | |
|------------|-----|-------------|------------------------------------|
| ITEM | QTY | PART NUMBER | TITLE |
| 2 | 2 | R23-254 | SS SGXL BOOM MOUNT COVER PLATE |
| 48 | 6 | HFSSC-145 | HEX FLANGE BOLT, SS - 1/4-20 x 1/2 |



| PARTS LIST | | | |
|------------|-----|-------------|-----------------------|
| ITEM | QTY | PART NUMBER | TITLE |
| 37 | 8 | S50031 | SPRAY TIP, AIC, LAV |
| 38 | 8 | S50040 | SPRAY TIP, AIC, WHITE |
| 39 | 8 | S50041 | SPRAY TIP, AIC, GREEN |
| 41 | 16 | S51280 | CHECK VALVE 50 MESH |

NOTE: Quantities in the parts list above are total per machine. Please note the quantities used in the sub-assemblies.