

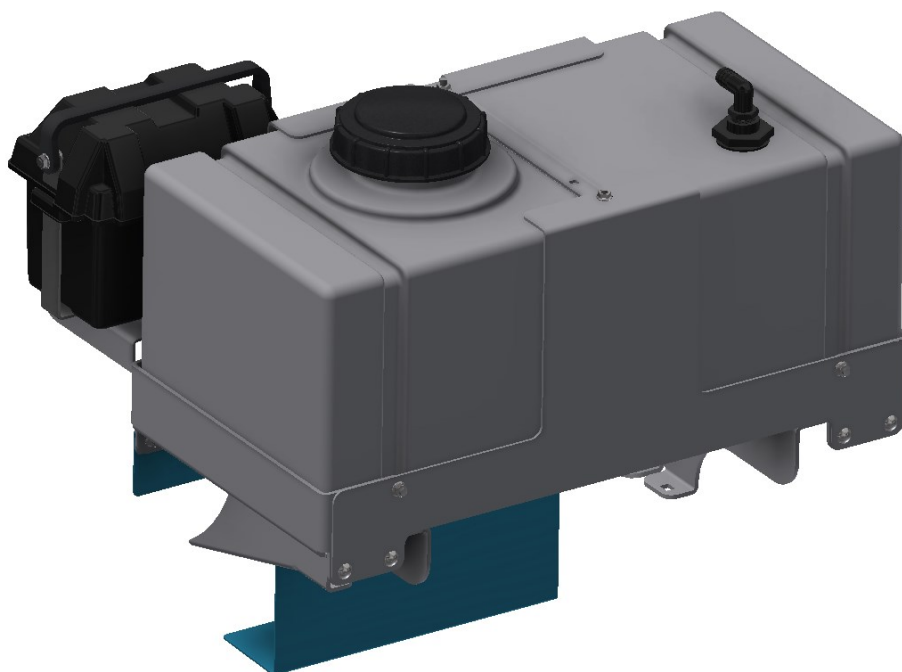
STEELGREENTM

M A N U F A C T U R I N G

INSTRUCTION MANUAL

20 GALLON TANK ATTACHMENT

Models: SG36, SG42



20 GALLON INSTALL INSTRUCTIONS

STEP 1:

- Disconnect the battery, *ground* first and then *power* wire.
- Remove the battery from the battery box.

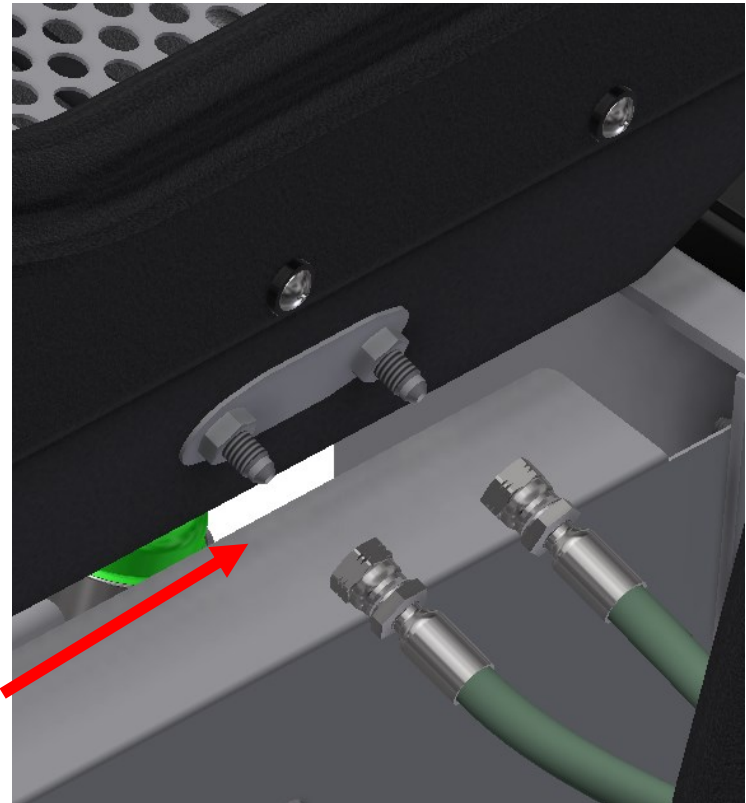


GROUND

POWER

STEP 2: Disconnect the hoses from the hopper.

NOTE: Hold the hoses up to prevent oil spillage

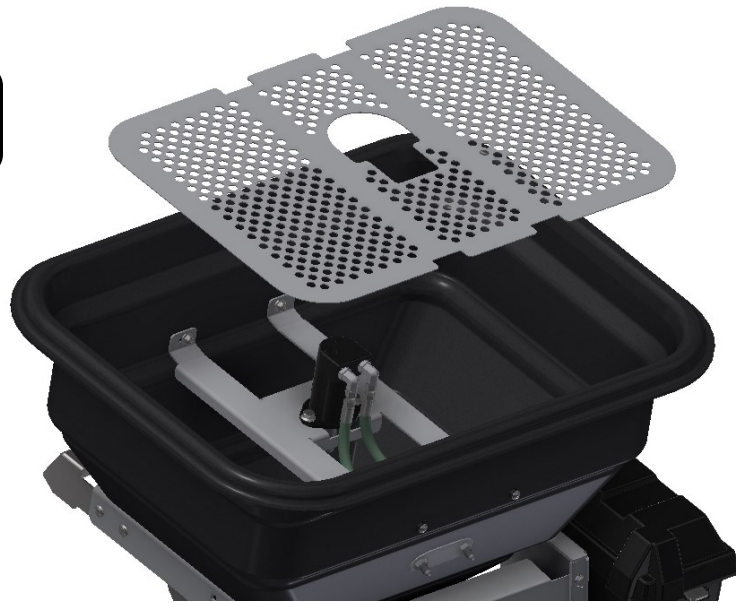


20 GALLON INSTALL INSTRUCTIONS

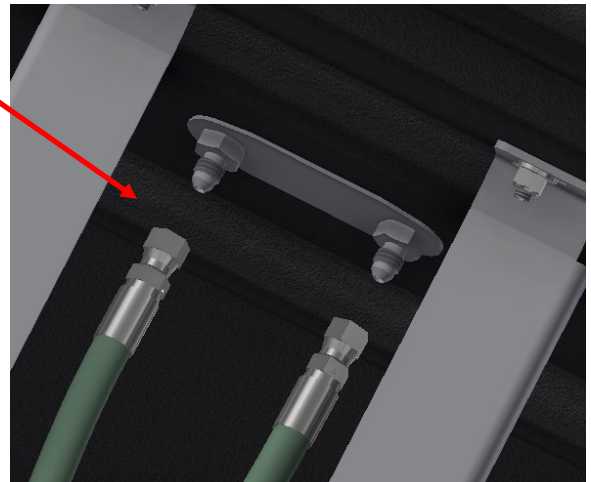
STEP 3: QUICK CONNECT INSTALL

NOTE: *Be sure the hopper is drained before starting the following steps.*

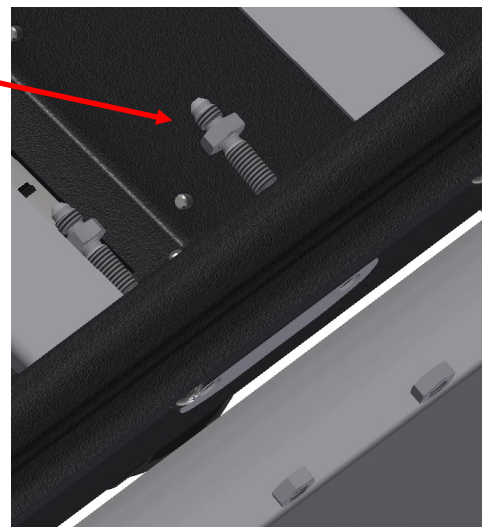
- Remove the grate.



- Disconnect the hopper motor hoses from the bulkhead fittings.



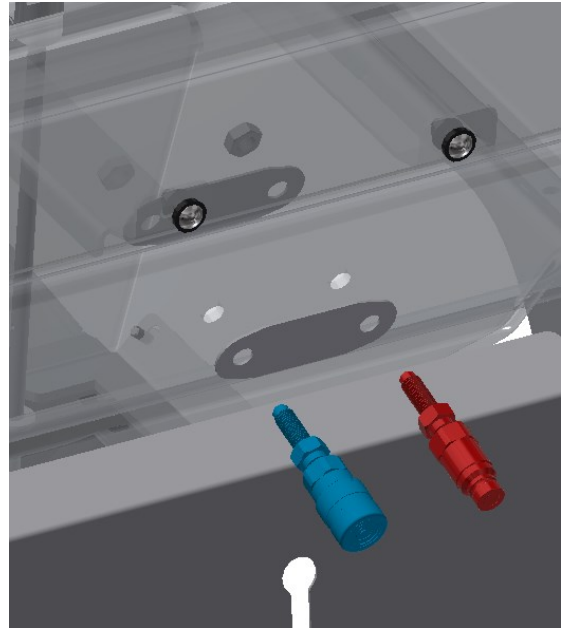
- Remove the bulkhead fittings from the hopper.



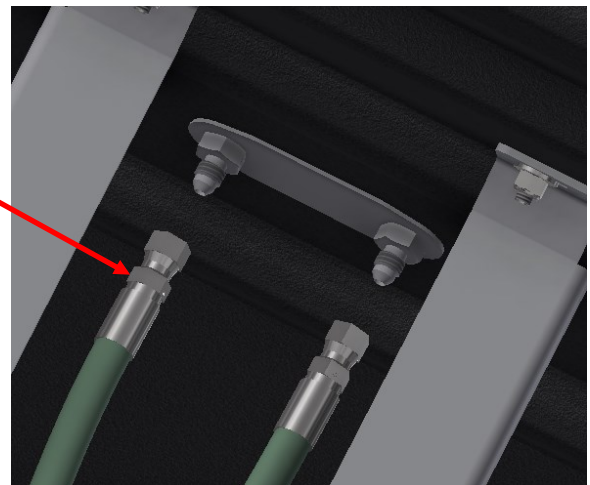
20 GALLON INSTALL INSTRUCTIONS

- Attach the quick couplers provided with the kit to the hopper.

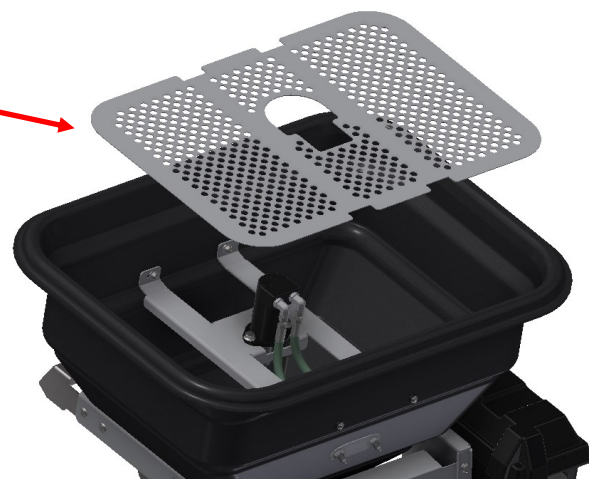
NOTE: Be sure the FEMALE quick connect is on the LEFT SIDE (SHOWN BLUE) and the MALE quick connect is on the RIGHT SIDE (SHOWN RED).



- Reconnect the hopper motor hoses.

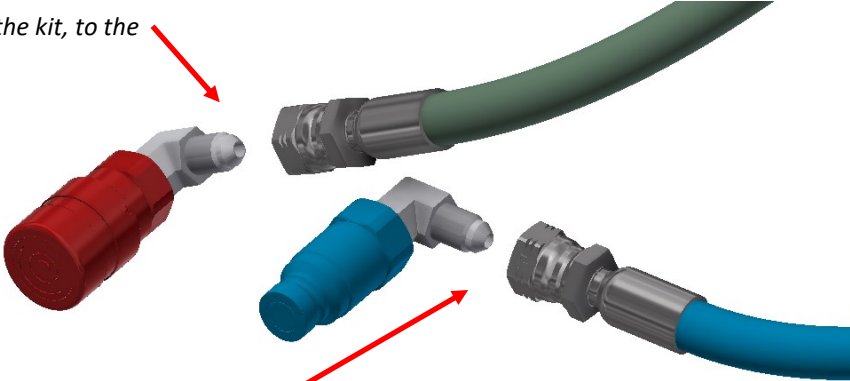


- Reinstall the grate.

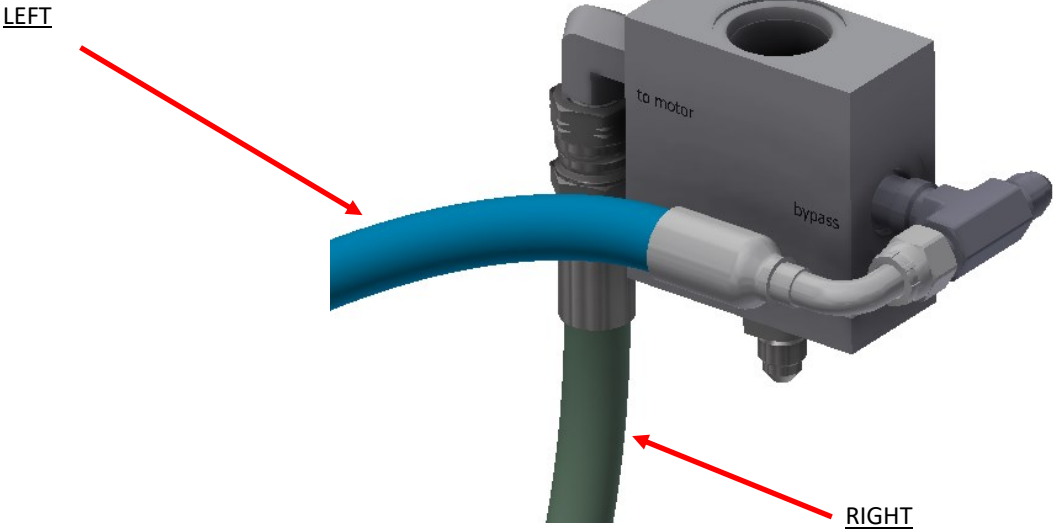


20 GALLON INSTALL INSTRUCTIONS

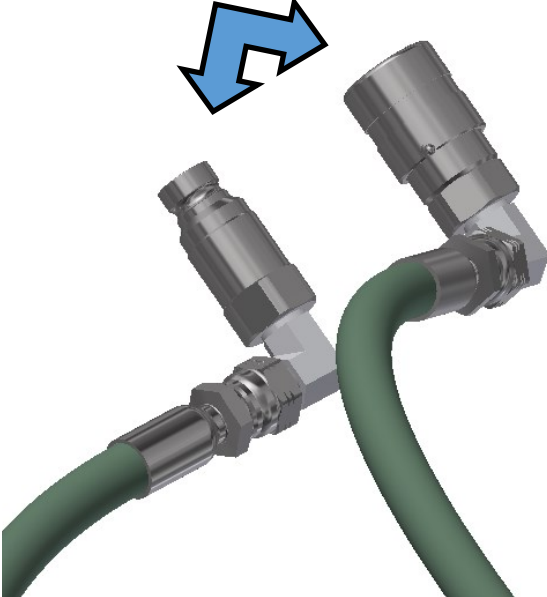
- Connect the *FEMALE* end provided with the kit, to the end of the *RIGHT SIDE* hose.



- Connect the *MALE* end provided with the kit, to the end of the *LEFT SIDE* hose.

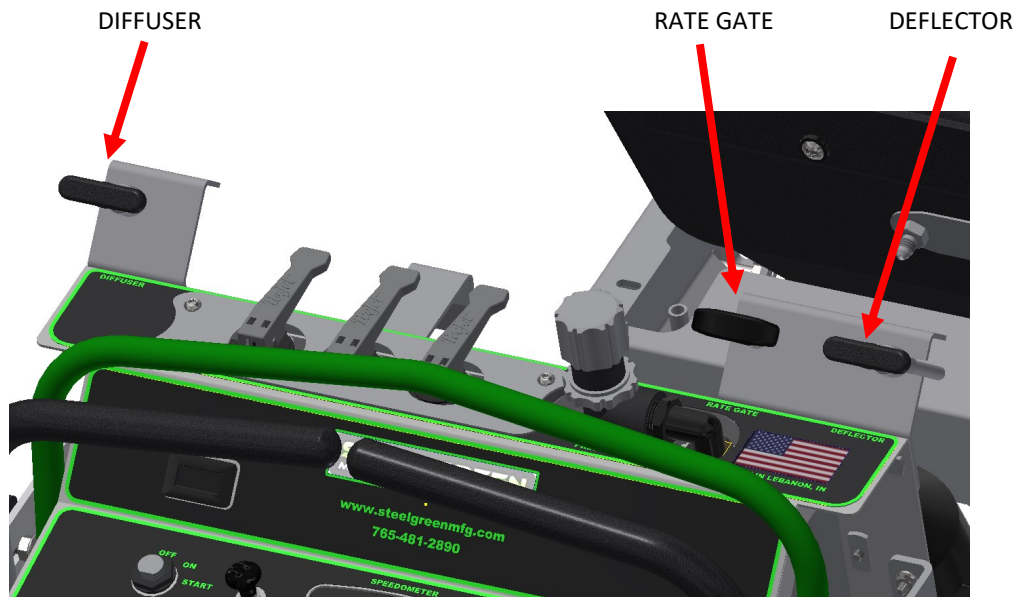


- Once the qd's have been attached, connect the hoses together to create hydraulic loop.



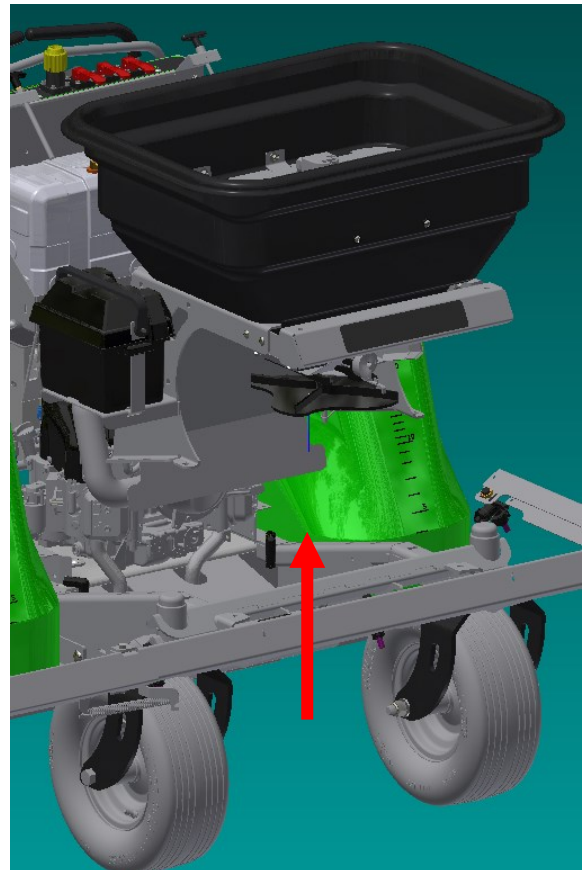
20 GALLON INSTALL INSTRUCTIONS

STEP 4: Disconnect the cables from the dash.



NOTE: *Be sure the hopper is empty before proceeding.*

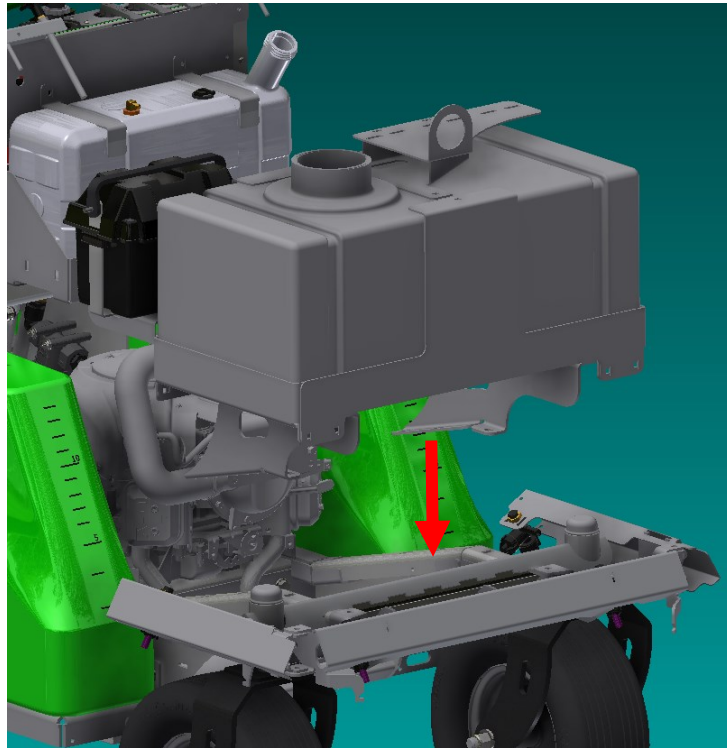
STEP 5: Remove the six bolts that hold the hopper assembly to the frame and lift the hopper assembly from the frame.



20 GALLON INSTALL INSTRUCTIONS

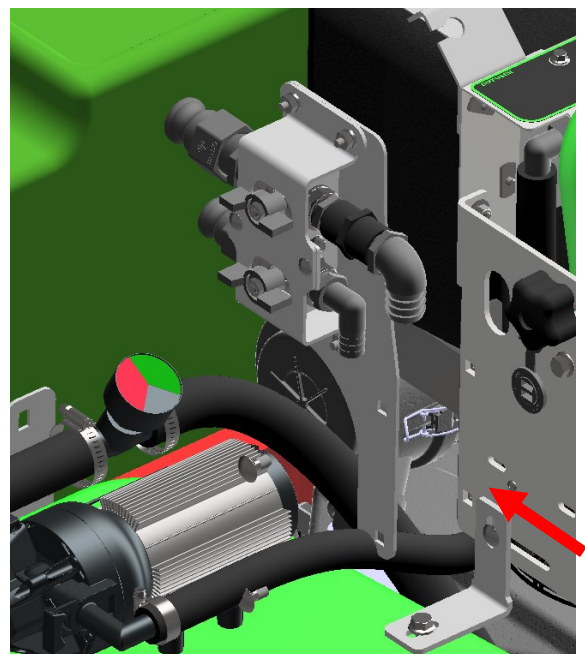
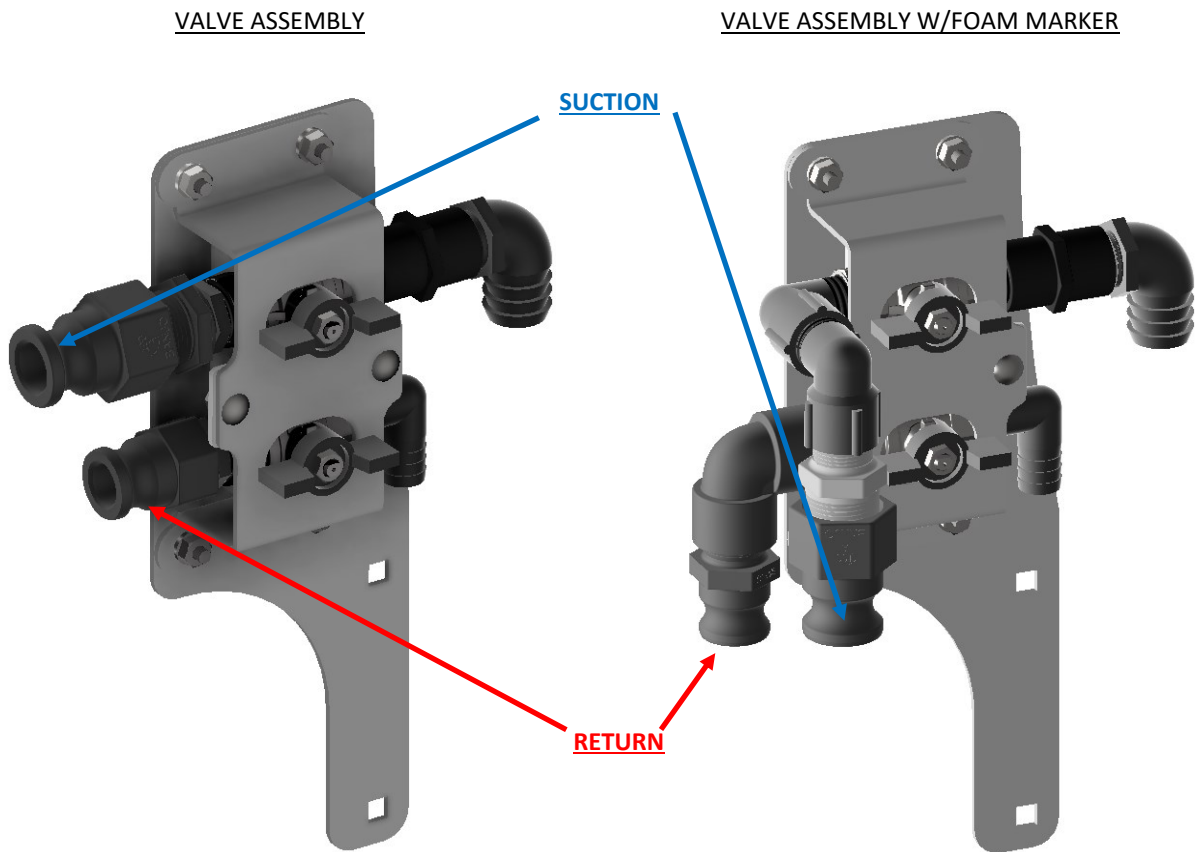
STEP 6:

- Set the 20 gallon tank assembly on the frame.
- Attach it to the frame with the six bolts.



20 GALLON INSTALL INSTRUCTIONS

STEP 7: Attach the valve assembly to the corner of the dash panel.



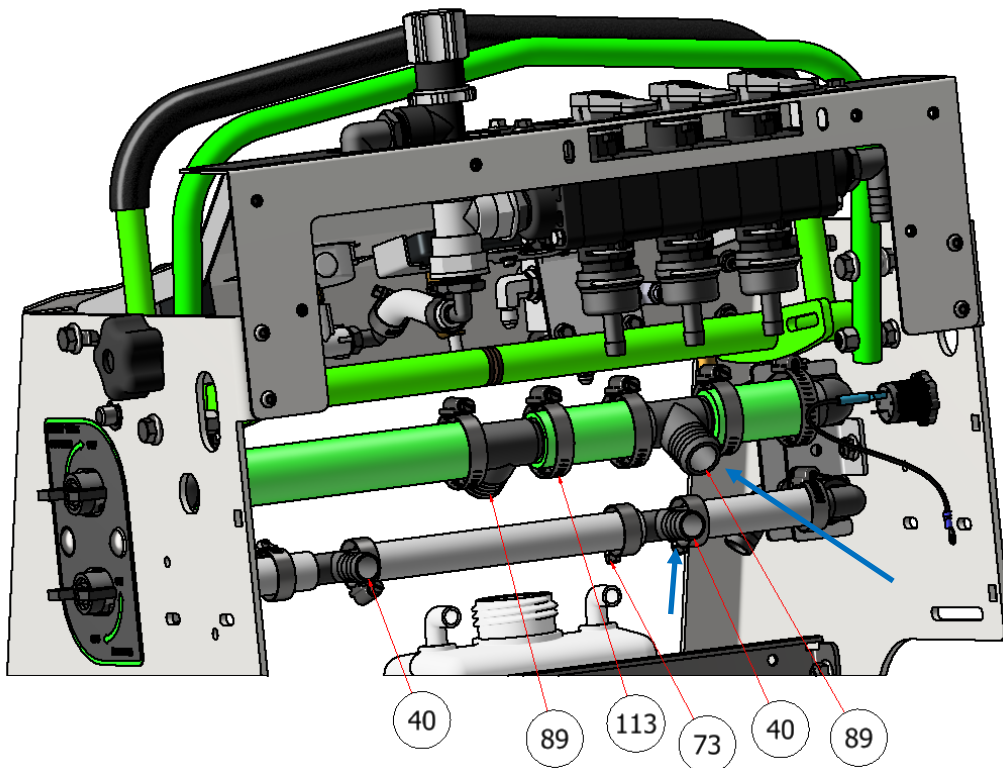
20 GALLON INSTALL INSTRUCTIONS

NOTE:

- Before beginning step 8, BE SURE there is no pressure on the lines and fluid is drained.
- Parts not shown for clarity.

STEP 8:

- Remove the knee pad to access the return & suction lines.
- Carefully cut and install the “tee” fittings in the “suction” and “return” lines as shown (blue arrows). Securely fasten with hose clamps.

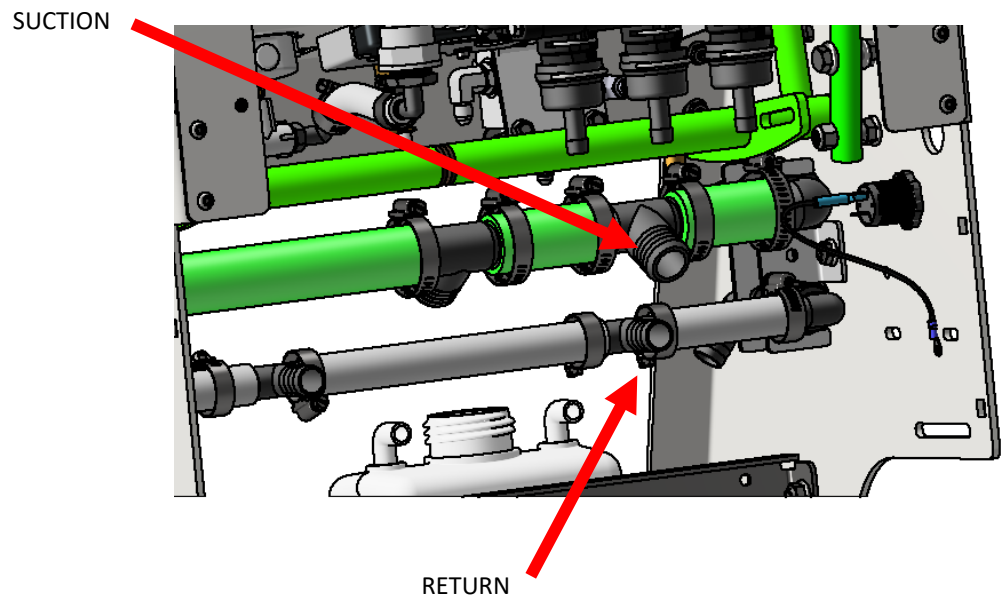
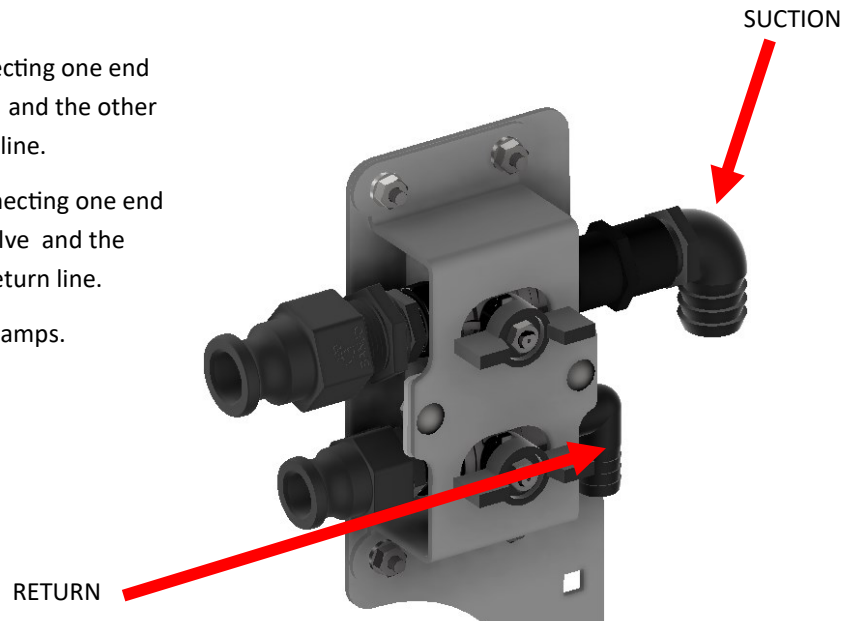


| PARTS LIST | | | |
|------------|-----|-------------|------------------------|
| ITEM | QTY | PART NUMBER | DESCRIPTION |
| 40 | 2 | S50062 | TEE FITTING, BARB, 3/4 |
| 89 | 2 | BT100 | 1" BARB TEE |
| 113 | 2 | 16HS | HOSE CLAMP, 1" |

20 GALLON INSTALL INSTRUCTIONS

STEP 9:

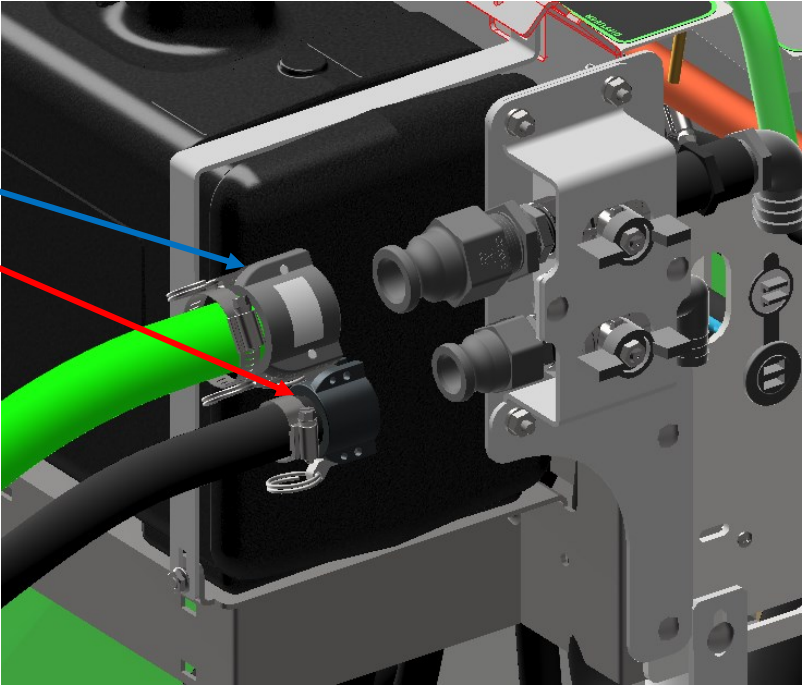
- Cut and install 1" suction hose, connecting one end to the suction fitting on the top valve and the other end to the "tee" fitting in the suction line.
- Cut and install 3/4" return hose, connecting one end to the return fitting on the bottom valve and the other end to the "tee" fitting in the return line.
- Securely fasten each end with hose clamps.



20 GALLON INSTALL INSTRUCTIONS

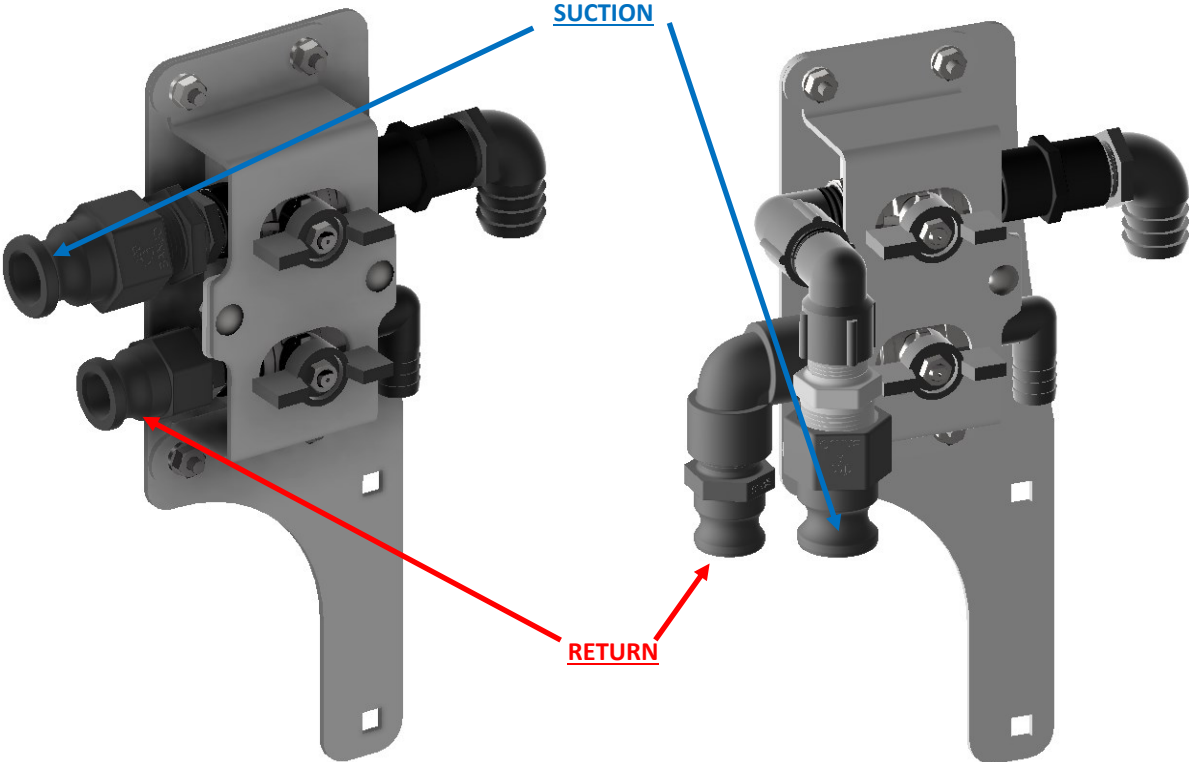
STEP 10: Connect the “quick disconnect” hoses from the tank to the valves.

- Top valve is **SUCTION**.
- Bottom valve is **RETURN**.



VALVE ASSEMBLY

VALVE ASSEMBLY W/FOAM MARKER



20 GALLON INSTALL INSTRUCTIONS

STEP 11:

- Set the battery in the battery box.
- Reattach the battery cables, power cable and wires first followed by the ground wire.
- Attach the battery box cover and bungie strap.



GROUND

POWER



Steel Green Mfg.
824 S State Road 39
Lebanon, IN 46052
(765)-481-2890
www.steelgreenmfg.com

| MANUAL PART NO. | MANUAL REV. | DESCRIPTION | KIT PART NO. |
|--------------------|----------------|---------------------------|-----------------|
| SGM-005 | 4 | 20 GALLON TANK ATTACHMENT | P10037 |