

STEELGREEN MANUFACTURING™

INSTRUCTION MANUAL

35 GALLON TANK ATTACHMENT

Models: SG46, & SG52



35 GALLON INSTALL INSTRUCTIONS

STEP 1:

- Disconnect the battery, *ground* first and then *power* wire.
- Remove the battery from the battery box.

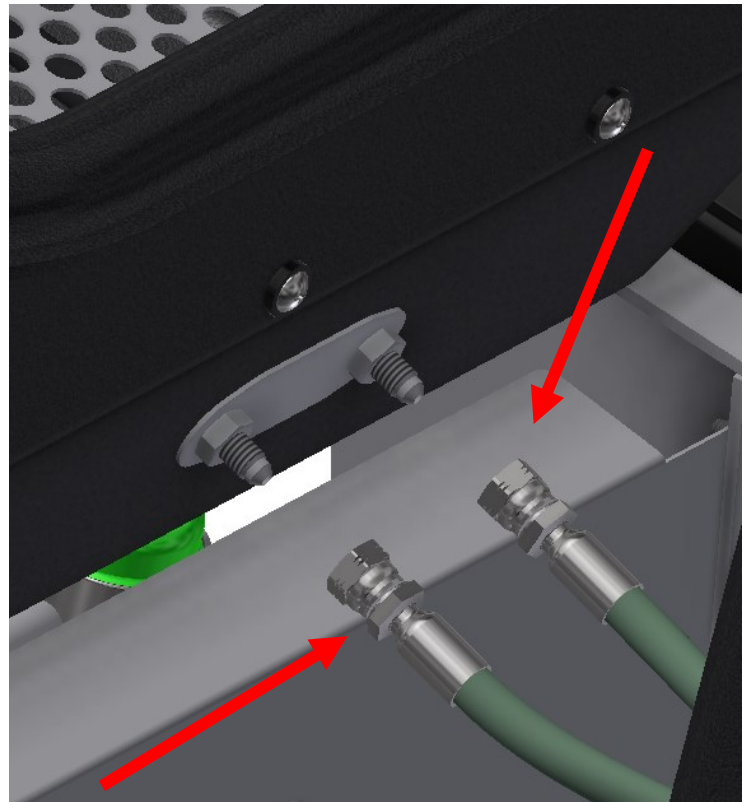


GROUND

POWER

STEP 2: Disconnect the hoses from the hopper.

NOTE: Hold the hoses up to prevent oil spillage

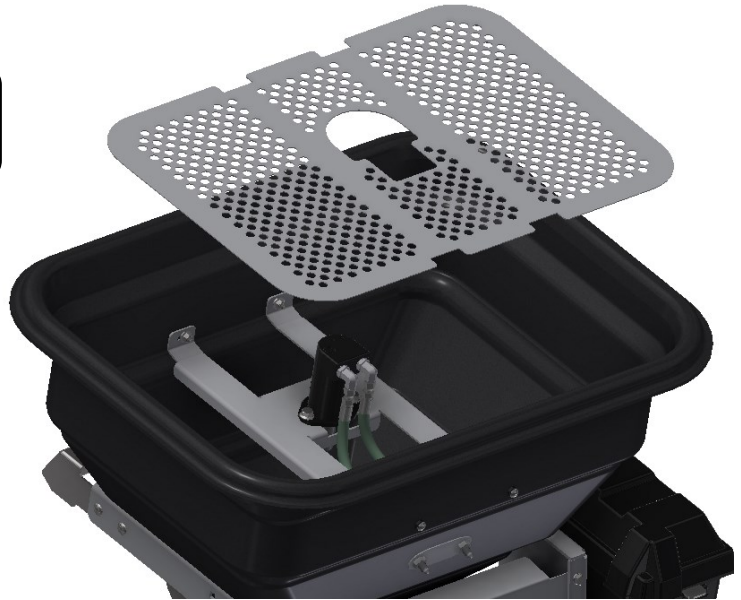


35 GALLON INSTALL INSTRUCTIONS

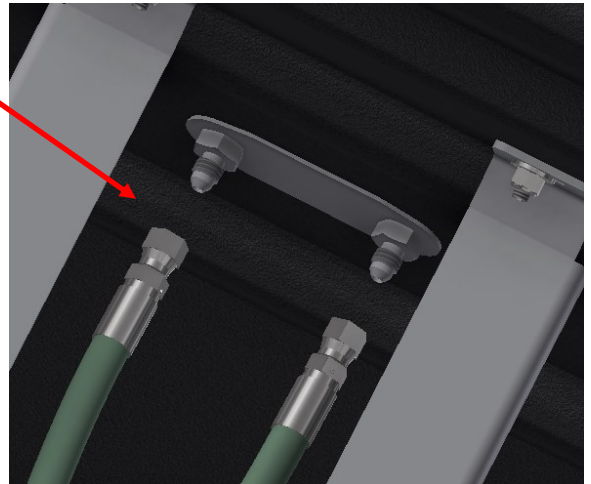
STEP 3: QUICK CONNECT INSTALL

NOTE: Be sure the hopper is drained before starting the following steps.

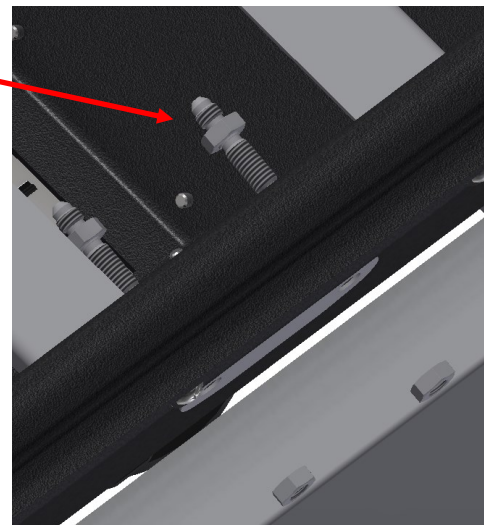
- Remove the grate.



- Disconnect the hopper motor hoses from the bulkhead fittings.



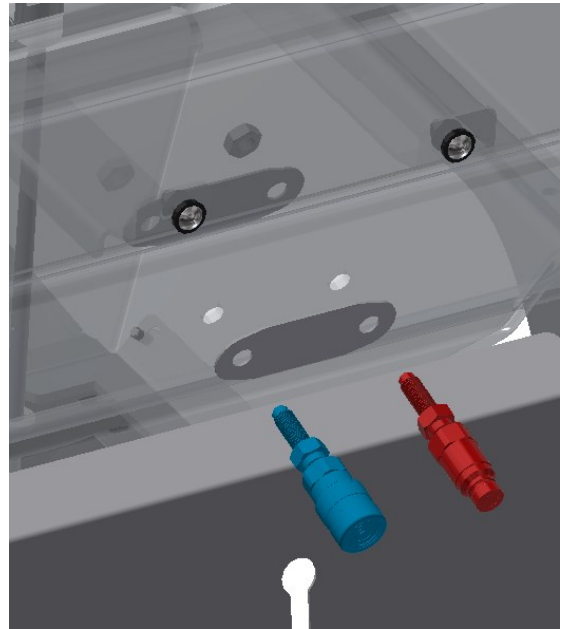
- Remove the bulkhead fittings from the hopper.



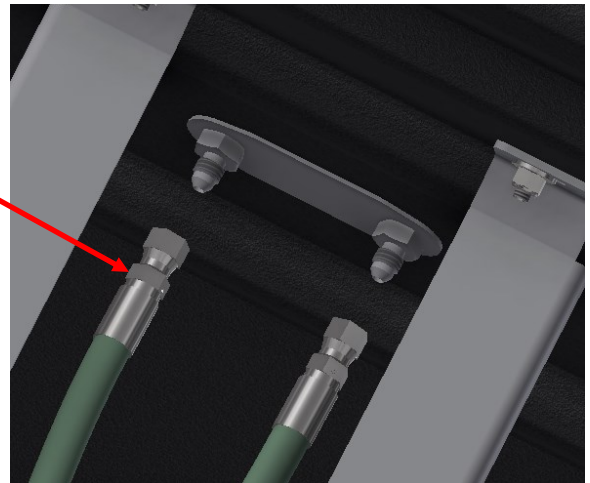
35 GALLON INSTALL INSTRUCTIONS

- Attach the quick couplers provided with the kit to the hopper.

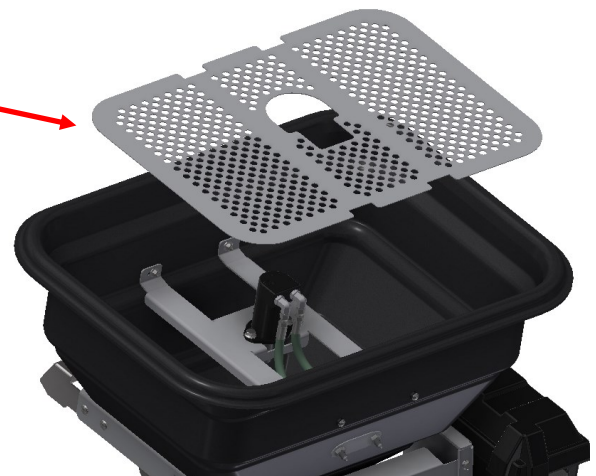
NOTE: Be sure the FEMALE quick connect is on the LEFT SIDE (SHOWN BLUE) and the MALE quick connect is on the RIGHT SIDE (SHOWN RED).



- Reconnect the hopper motor hoses.

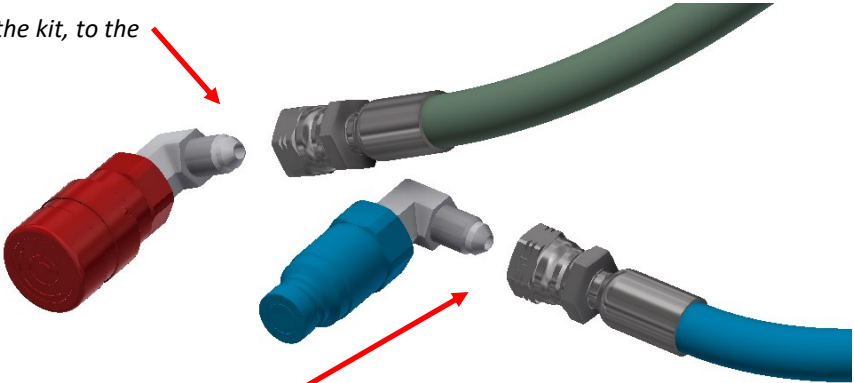


- Reinstall the grate.

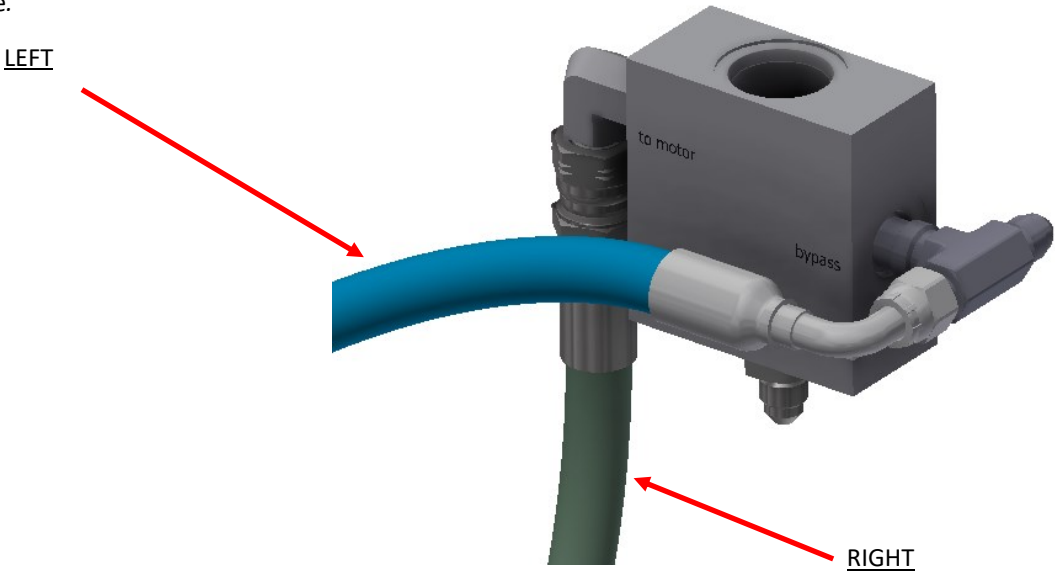


35 GALLON INSTALL INSTRUCTIONS

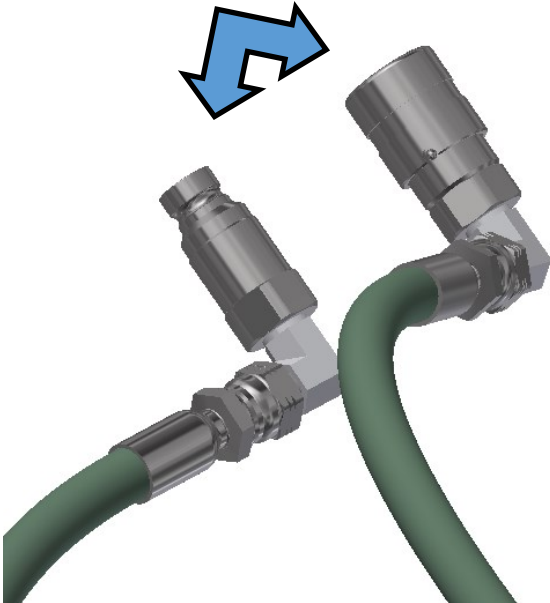
- Connect the *FEMALE* end provided with the kit, to the end of the *RIGHT SIDE* hose.



- Connect the *MALE* end provided with the kit, to the end of the *LEFT SIDE* hose.

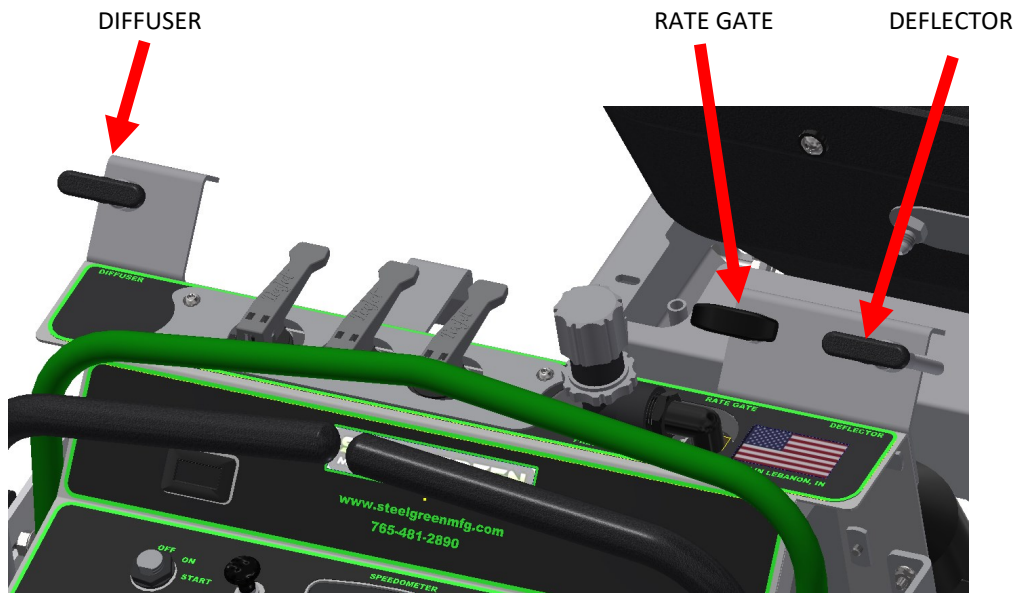


- Once the qd's have been attached, connect the hoses together to create hydraulic loop.



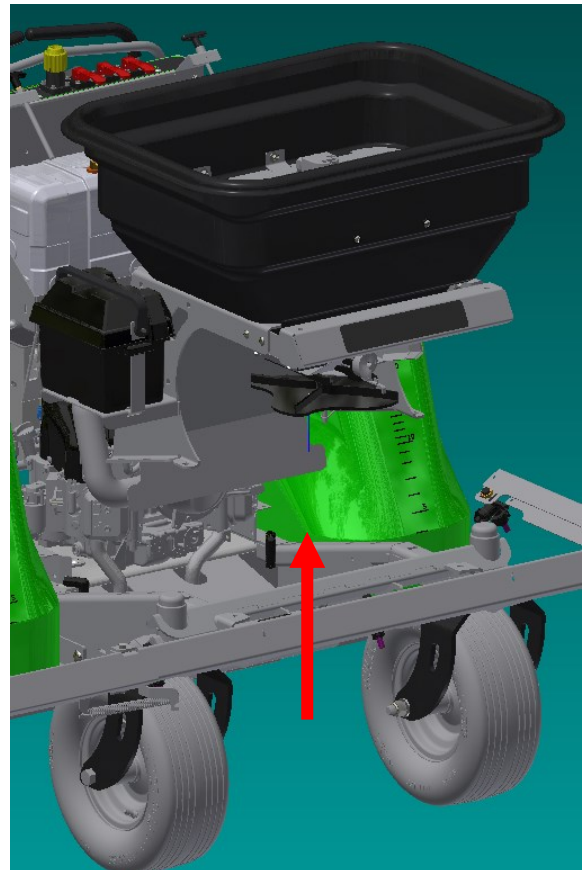
35 GALLON INSTALL INSTRUCTIONS

STEP 4: Disconnect the cables from the dash.



NOTE: Be sure the hopper is empty before proceeding.

STEP 5: Remove the six bolts that hold the hopper assembly to the frame and lift the hopper assembly from the frame.



35 GALLON INSTALL INSTRUCTIONS

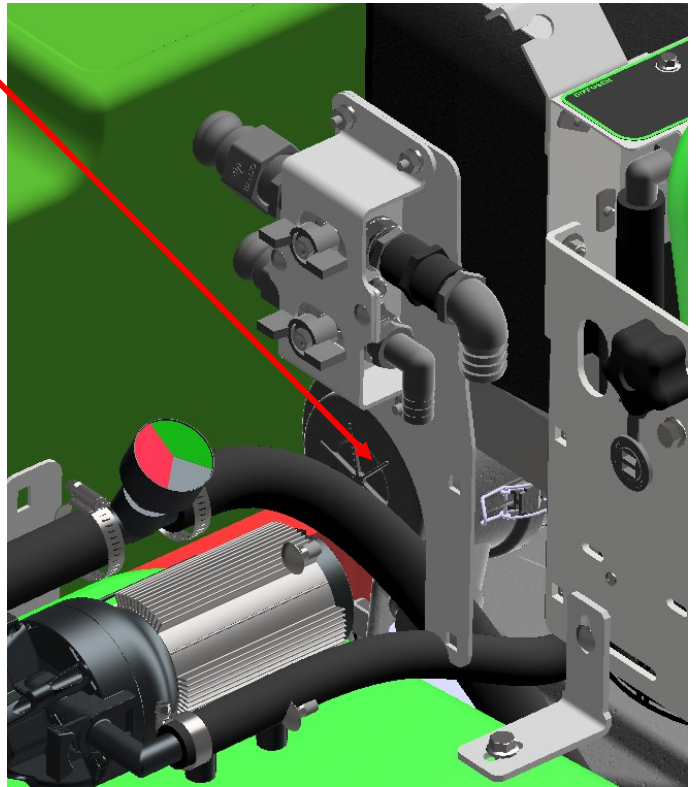
STEP 6:

- Set the 35 gallon tank assembly on the frame.
- Attach it to the frame with the six bolts.

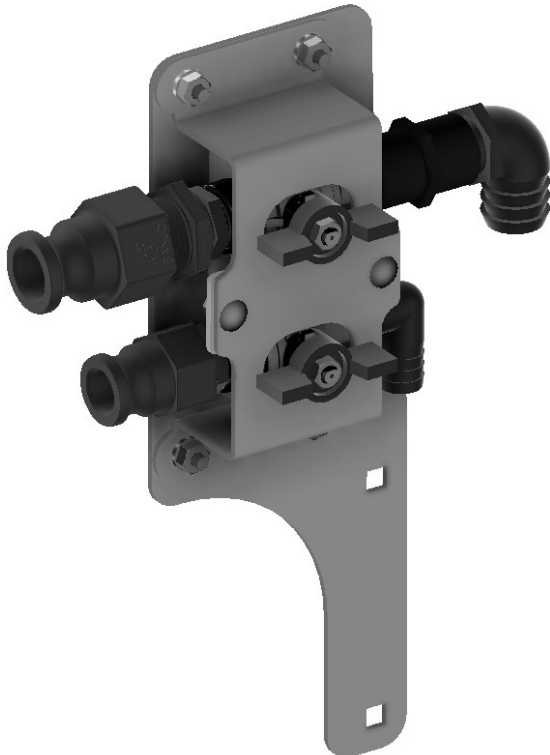


35 GALLON INSTALL INSTRUCTIONS

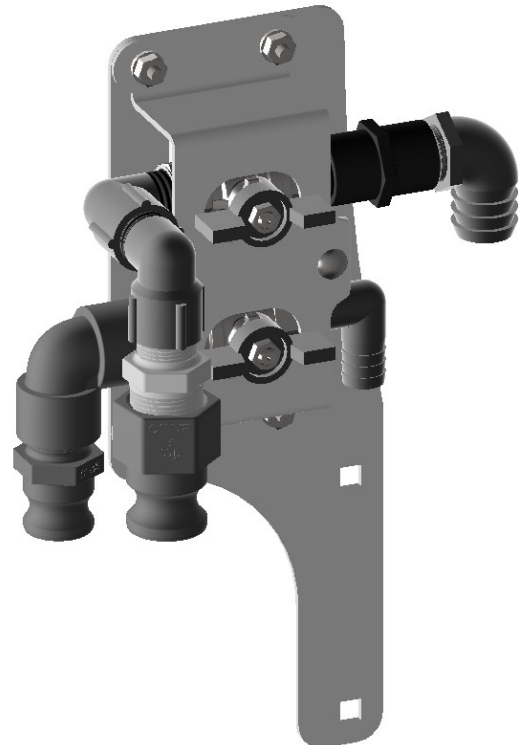
STEP 7: Attach the valve assembly to the upright left side using (2) CB-3834 & (2) HFNC3-38.



VALVE ASSEMBLY



VALVE ASSEMBLY W/FOAM MARKER



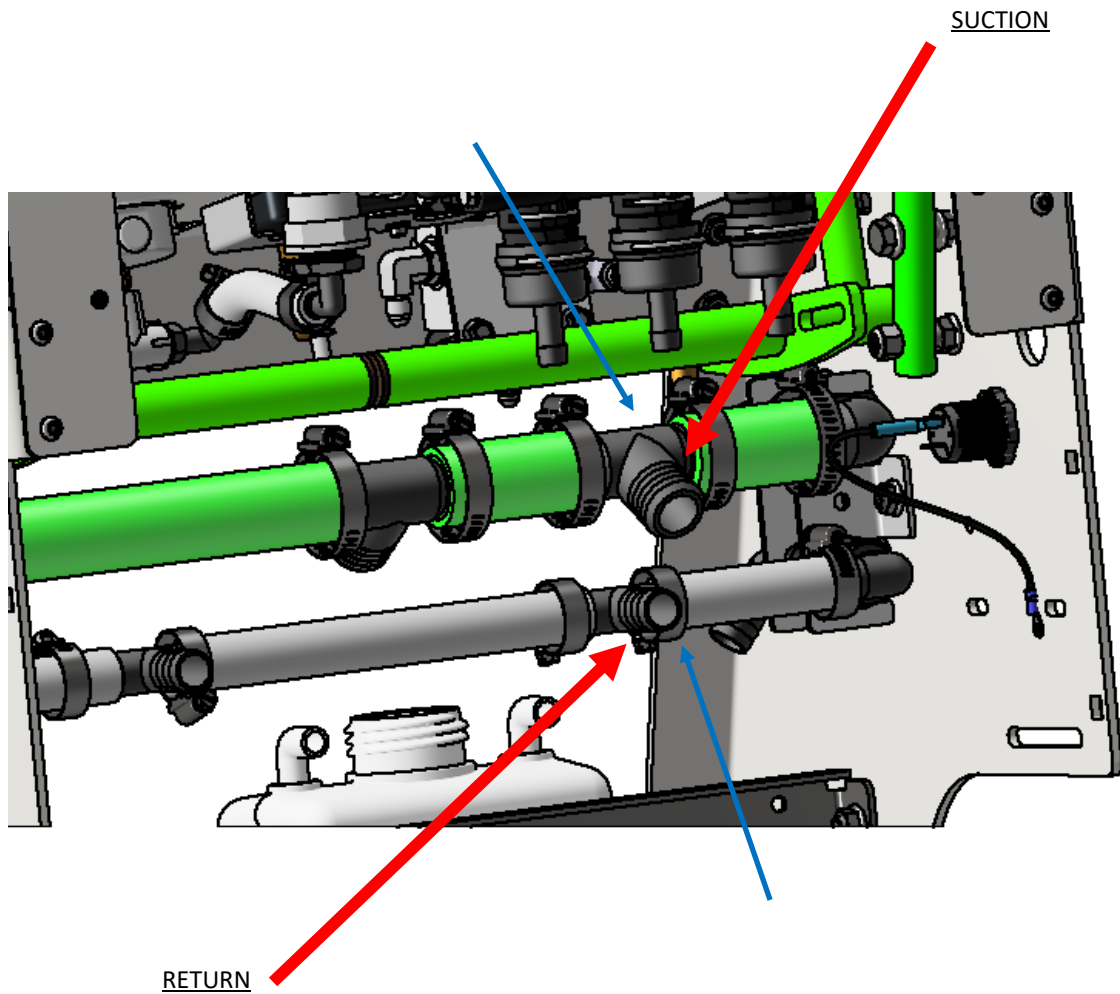
35 GALLON INSTALL INSTRUCTIONS

NOTE:

- Before beginning step seven, **BE SURE** there is no pressure on the lines and fluid is drained.
- Parts removed for clarity.

STEP 8:

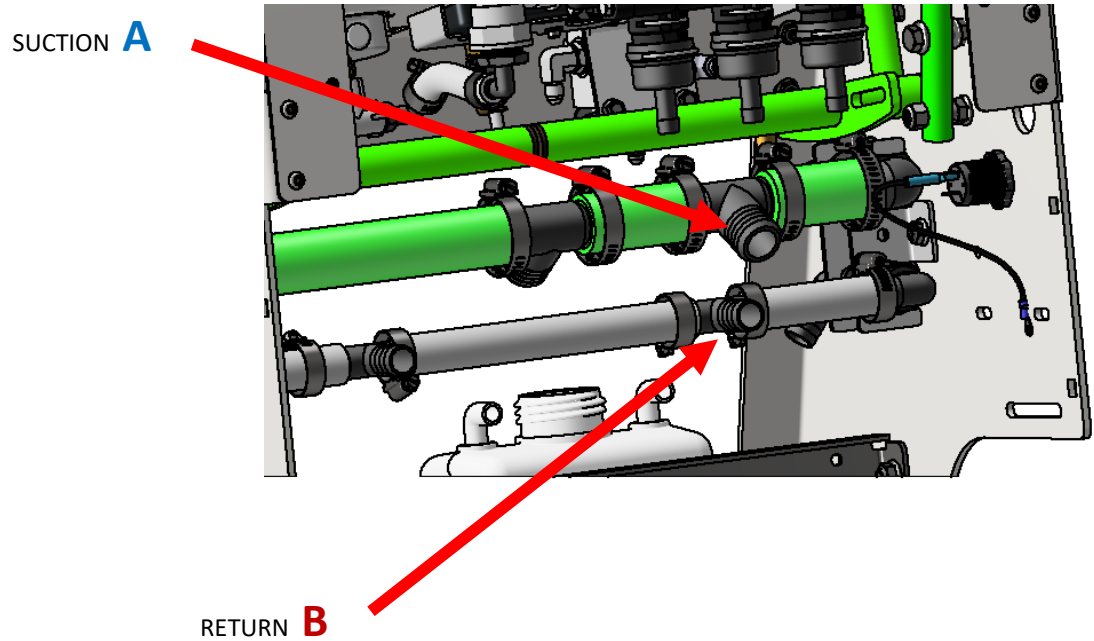
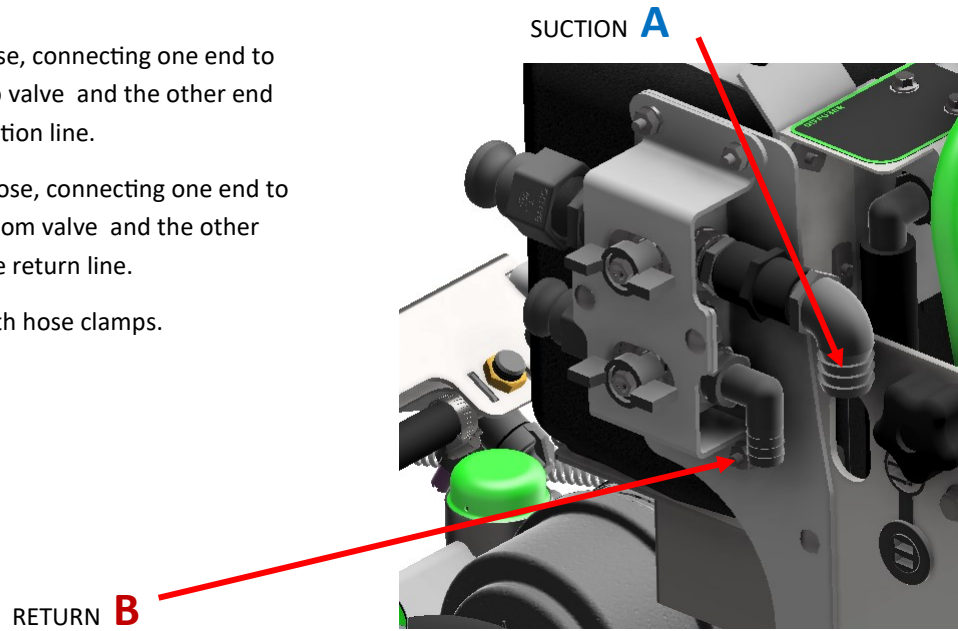
- Remove the knee pad to access the return & suction lines.
- Carefully cut and install the “tee” fittings in the “suction” and “return” lines as shown (blue arrows). Securely fasten with hose clamps.



35 GALLON INSTALL INSTRUCTIONS

STEP 9:

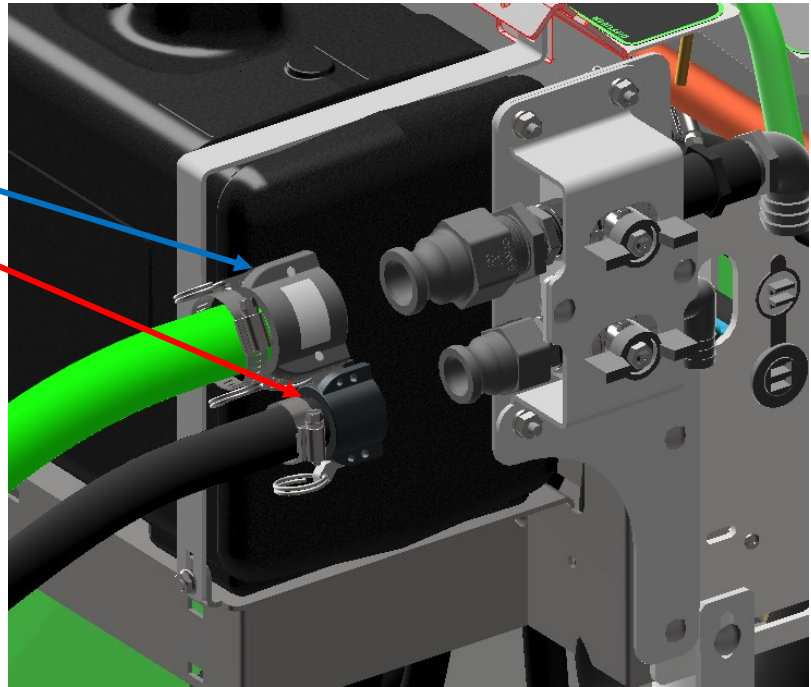
- Cut and install 1" suction hose, connecting one end to the suction fitting on the top valve and the other end to the "tee" fitting in the suction line.
- Cut and install 3/4" return hose, connecting one end to the return fitting on the bottom valve and the other end to the "tee" fitting in the return line.
- Securely fasten each end with hose clamps.



35 GALLON INSTALL INSTRUCTIONS

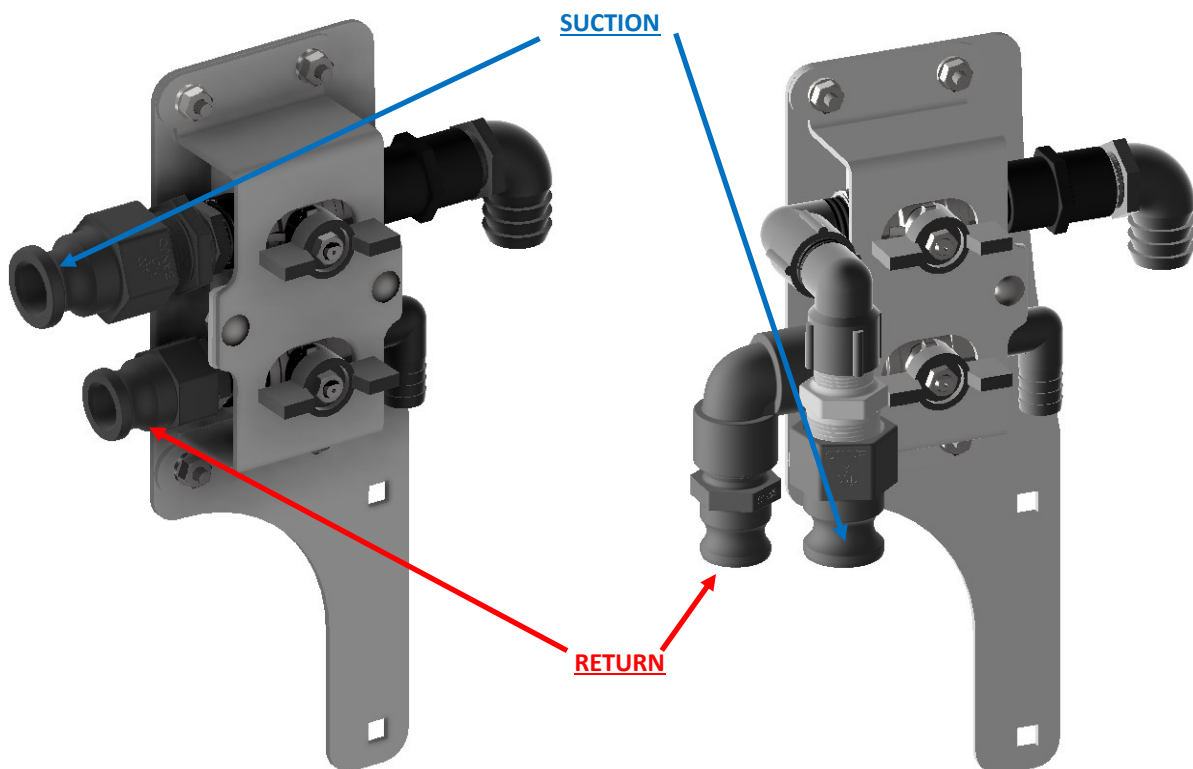
STEP 10: Connect the “quick disconnect” hoses from the tank to the valves.

- Top valve is **SUCTION**.
- Bottom valve is **RETURN**.



VALVE ASSEMBLY

VALVE ASSEMBLY W/FOAM MARKER



35 GALLON INSTALL INSTRUCTIONS

STEP 11:

- Set the battery in the battery box.
- Reconnect the battery cables, power cable and wires first followed by the ground wire.
- Attach the battery box cover and bungee strap.



GROUND

POWER



MADE IN THE USA

Steel Green Mfg.
824 S State Road 39
Lebanon, IN 46052
(765)-481-2890
www.steelgreenmfg.com

MANUAL PART NO.	MANUAL REV.	DESCRIPTION	KIT PART NO.
SGM-008	6	35 GALLON TANK ATTACHMENT	A10034