

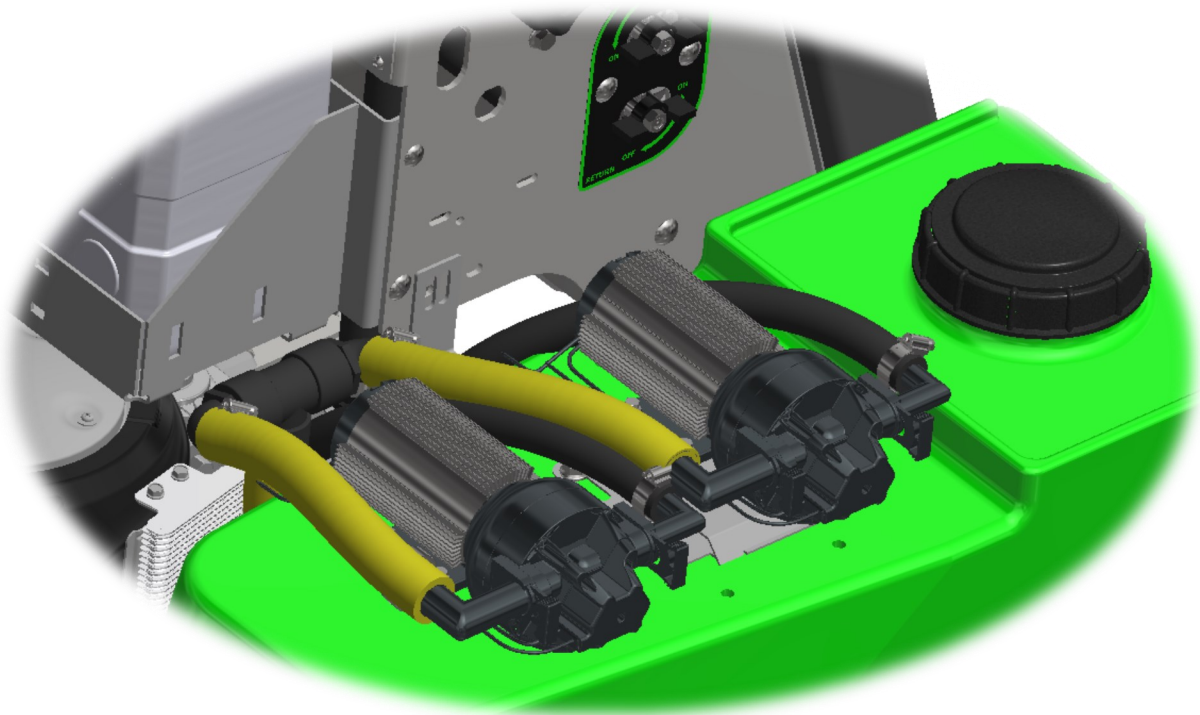
STEELGREEN[™]

M A N U F A C T U R I N G

INSTRUCTION MANUAL

DOUBLE SPRAY PUMP ATTACHMENT

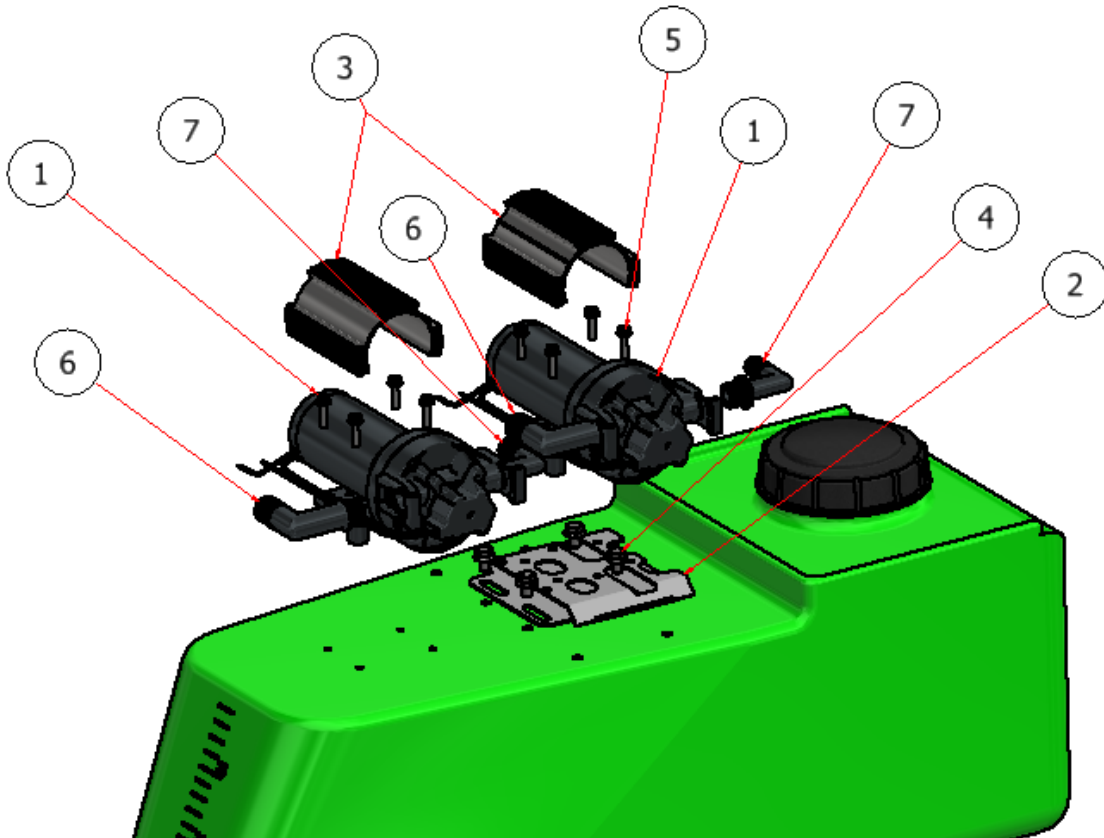
Models: SG36, SG42, SG46, & SG52



DOUBLE SPRAY PUMP INSTALLATION

STEP 1: Attach the second pumps to the tank.

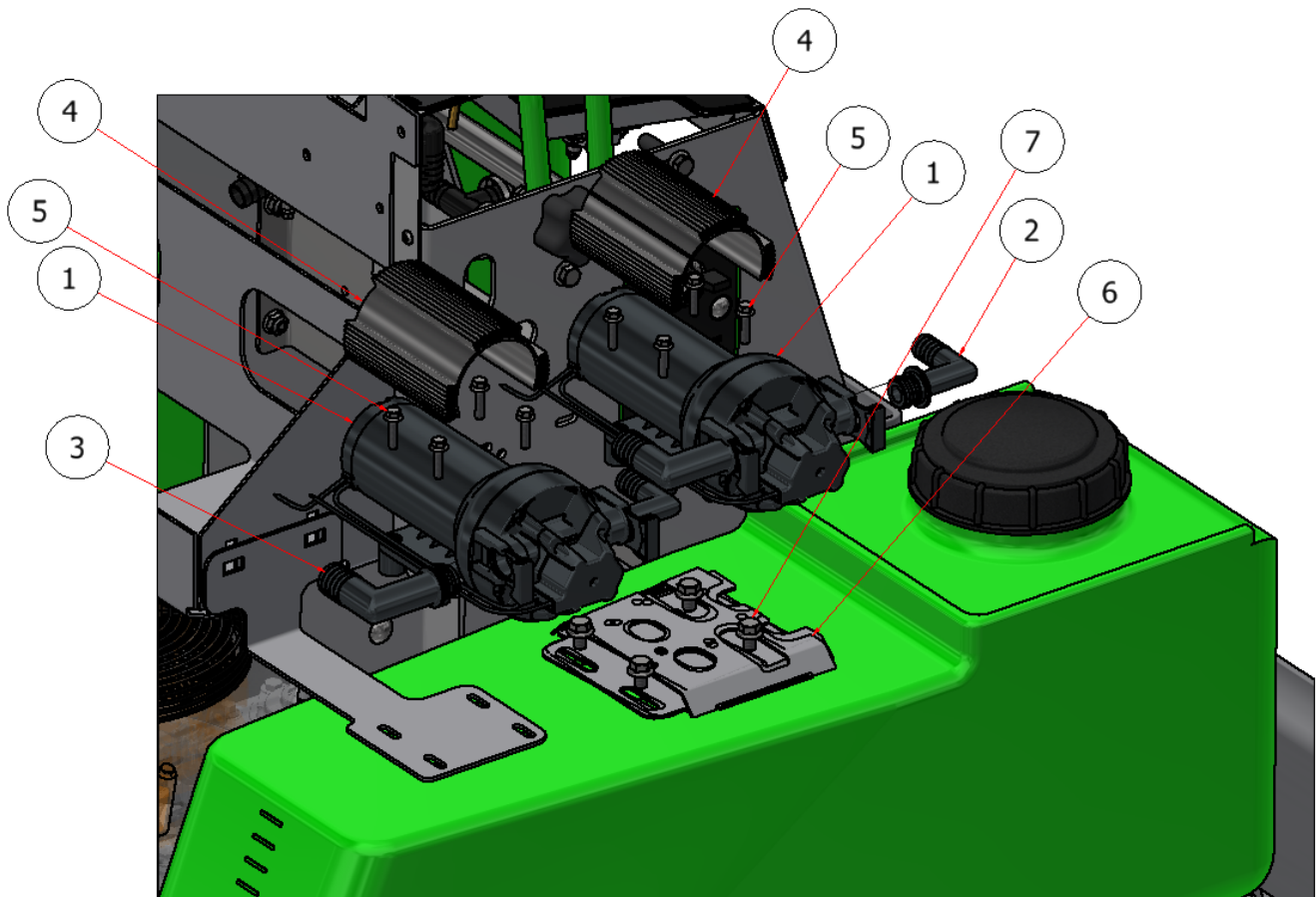
SG52 FLOJET



PARTS LIST			
ITEM	QTY	PART NUMBER	DESCRIPTION
1	2	60014-FJ	SPRAY PUMP, FLOJET
2	1	W21-100	MOUNTING BRACKET, SPRAY PUMP
3	2	S54120	HEAT SINK, SPRAY PUMP
4	4	HFSSC-3812	HEX BOLT, 3/8 X 1/2
5	8	HFSSC-141	BOLT, HEX, 1/4 X 1
6	0	20381713	PUMP FITTING, FLOJET, 1
7	0	20381712	PUMP FITTING, FLOJET, 3/4

DOUBLE SPRAY PUMP INSTALLATION

SG46 FLOJET

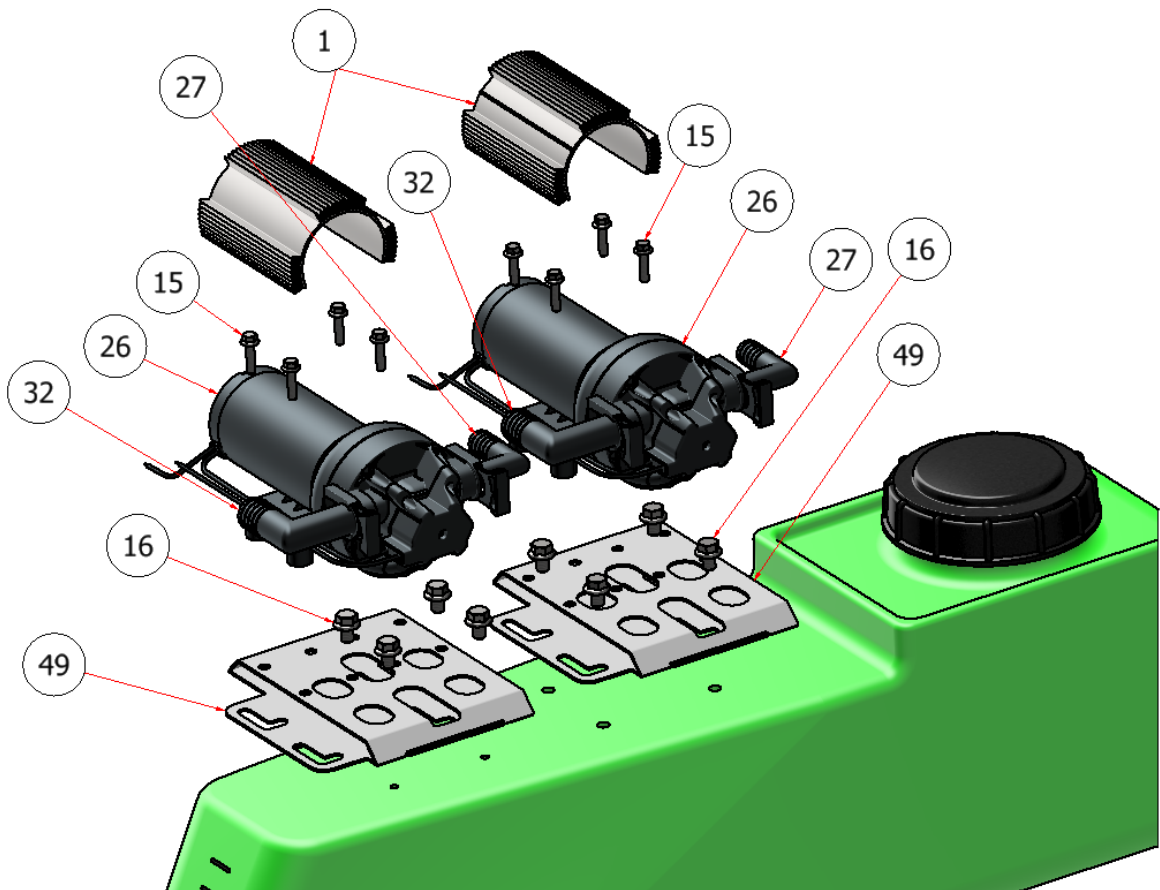


PARTS LIST			
ITEM	QTY	PART NUMBER	DESCRIPTION
1	2	60014-FJ	SPRAY PUMP, FLOJET
2	2	20381712	PUMP FITTING, FLOJET, 3/4
3	2	20381713	PUMP FITTING, FLOJET, 1
4	2	S54120	HEAT SINK, SPRAY PUMP
5	8	HFSSC-141	HEX FLANGE BOLT, 1/4 X 1
6	1	W21-100	MOUNTING BRACKET, SPRAY PUMP
7	4	HFSSC-3812	HEX FLANGE BOLT, 3/8 X 1/2

DOUBLE SPRAY PUMP INSTALLATION

SG36/42 FLOJET

NOTE: If foam marker equipped, Attach the second pump to the right side tank. Instructions are the same.



PARTS LIST

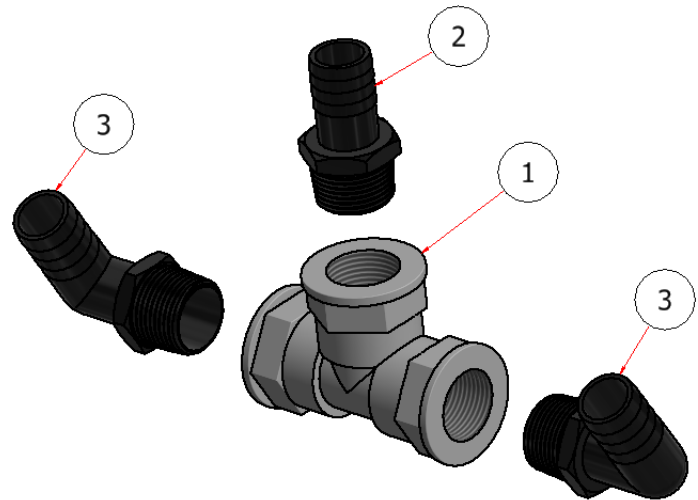
ITEM	QTY	PART NUMBER	TITLE
1	2	S54120	HEAT SINK, SPRAY PUMP
15	8	HFSSC-141	HEX FLANGE BOLT, 1/4 X 1
16	8	HFSSC-3812	HEX FLANGE BOLT, 3/8 X 1/2
26	2	60014-FJ	SPRAY PUMP, FLOJET
27	2	20381712	PUMP FITTING, FLOJET, 3/4
32	2	20381713	PUMP FITTING, FLOJET, 1
49	2	W21-436	SG36 PUMP MOUNTING BRACKET

DOUBLE SPRAY PUMP INSTALLATION

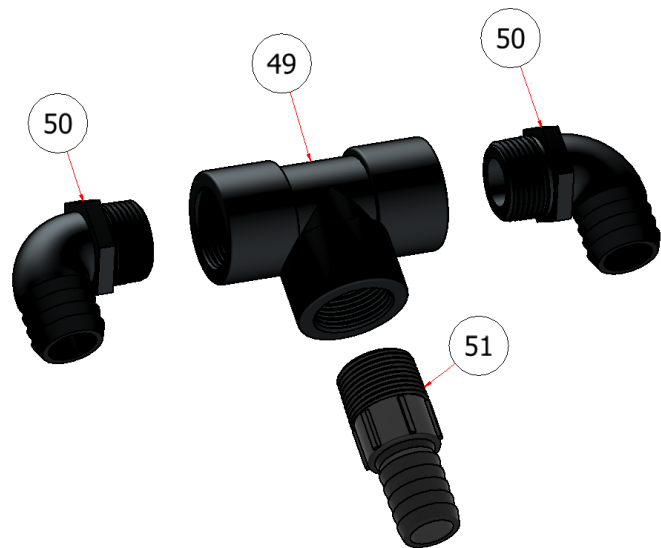
STEP 2:

- Assemble the (2) tee fitting assemblies.

NOTE: Angle the elbow fittings as needed.



PARTS LIST			
ITEM	QTY	PART NUMBER	DESCRIPTION
1	1	S52006	TEE, BANJIO, 3/4
2	1	S52015	3/4" MNPT X 3/4" BARB
3	2	S52029	BARB, 3/4 MPT x 3/4 BARB 90



PARTS LIST			
ITEM	QTY	PART NUMBER	DESCRIPTION
49	1	S52073	1 FNPT, PIPE TEE
50	2	S52030	1 MNPT X 1 BARB, ELBOW, 90
51	1	S52101	1" NPT X 1" BARB

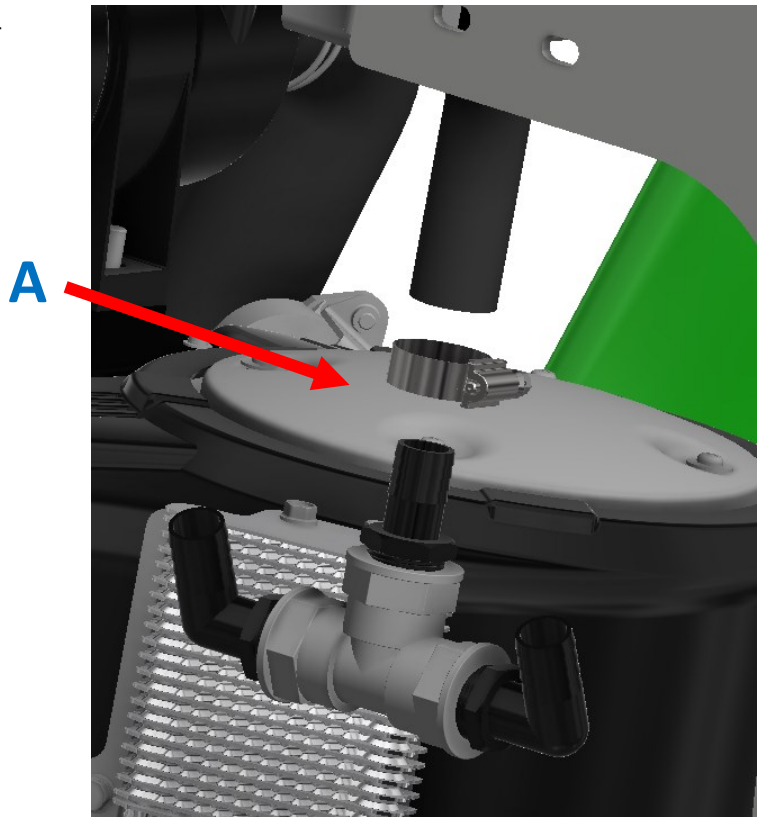
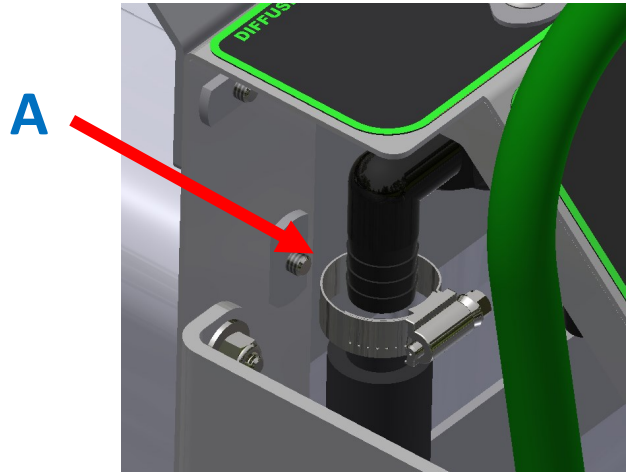
DOUBLE SPRAY PUMP INSTALLATION

NOTE: ALL HOSES

- *Securely fastened with hose clamps.*
- *Use white lube on hose fittings.*

STEP 3:

- Connect one end of the 13" return hose (SG36/42 15") to the spray manifold inlet fitting.
- Connect the 3/4" tee fitting assembly to the other end.



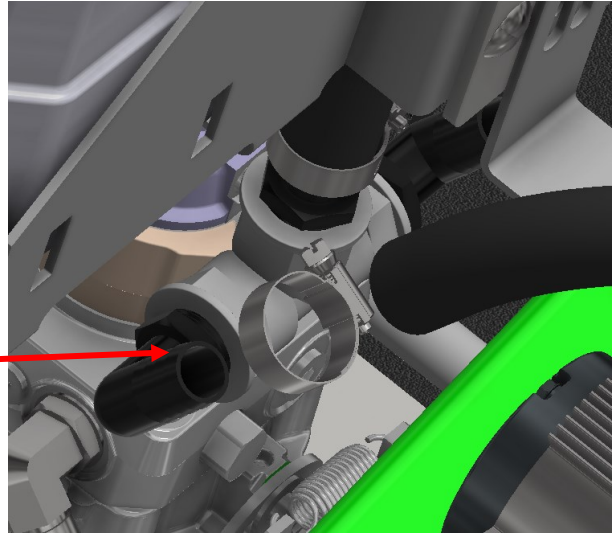
DOUBLE SPRAY PUMP INSTALLATION

NOTE: For SG36 & SG42 foam marker equipped, go to step 4A.

STEP 4:

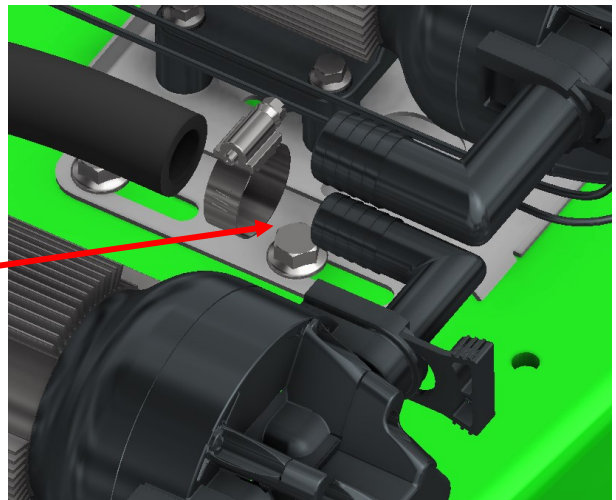
- Connect one end of the 14" return hose (SG36/42 10-1/2") to the left elbow on the return tee fitting.

B

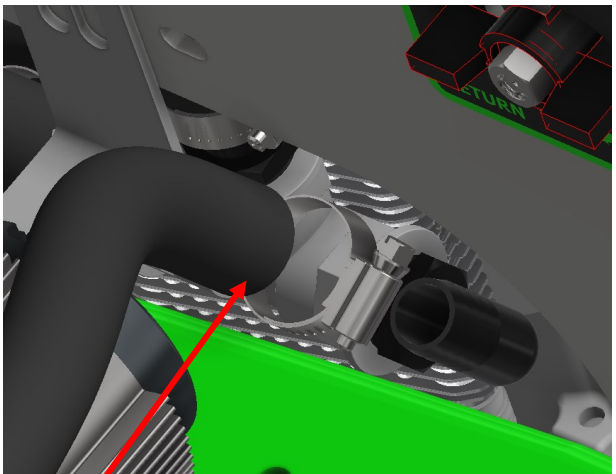


- Connect the other end to the "outlet port" of spray pump 1.

B



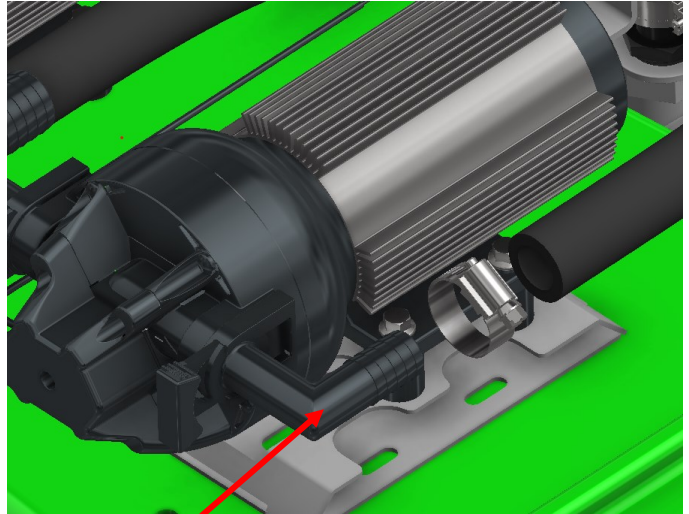
- Connect one end of the 14" return hose (SG36/42 10-1/2") to the left elbow on the return tee fitting.



C

DOUBLE SPRAY PUMP INSTALLATION

- Connect the other end to the “outlet port” of spray pump 2.

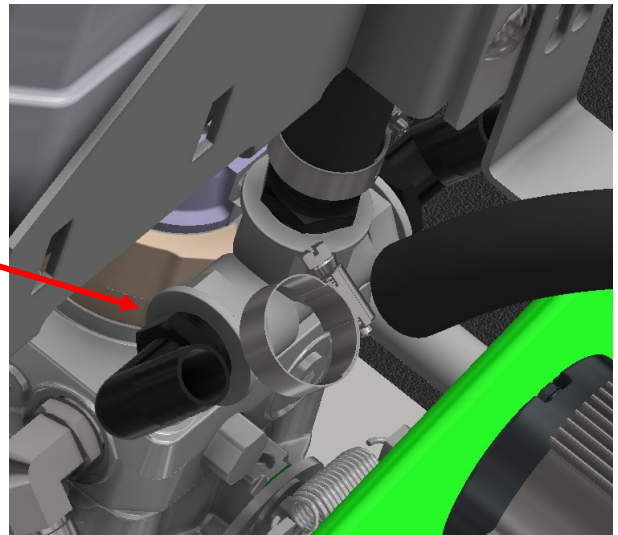


C

STEP 4A: SG36/42 WITH FOAM MARKER

- Connect one end of the return hose to the left elbow on the return tee fitting.

B



- Connect the other end to the “outlet port” of spray pump 1.

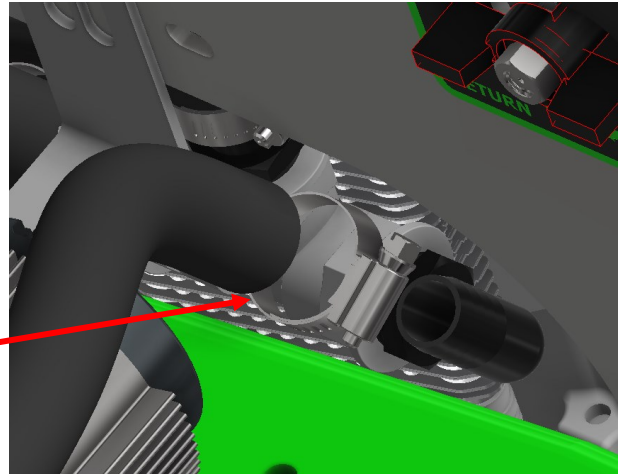
B



DOUBLE SPRAY PUMP INSTALLATION

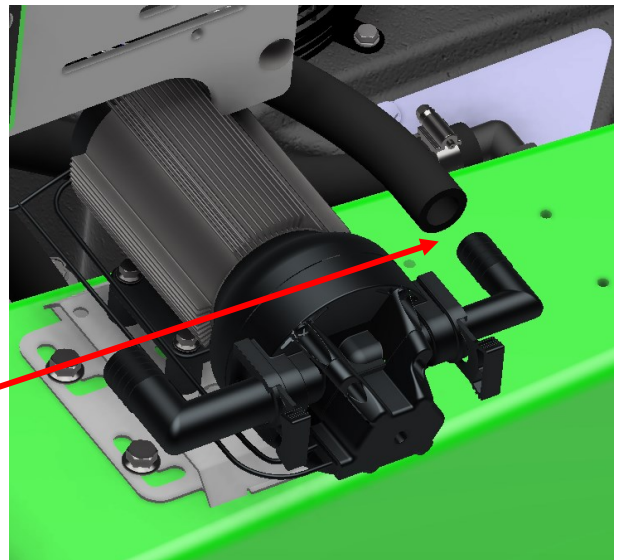
Connect one end of the return hose to the right elbow on the return tee fitting.

C



- Route & connect the other end of the hose to right side spray pump.

C



DOUBLE SPRAY PUMP INSTALLATION

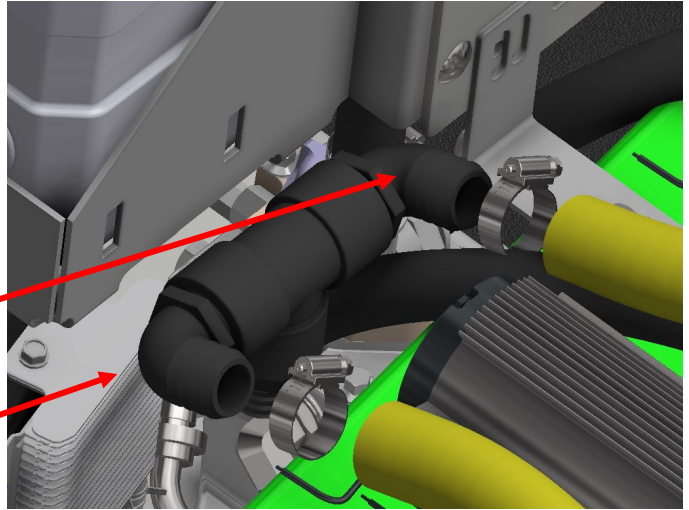
NOTE: For SG36 & SG42 foam marker equipped, go to step 5A.

STEP 5:

- Connect one end of each 1" X 11" (SG36/42 - 1" X 10-1/2") hose to the tee fitting assembly.

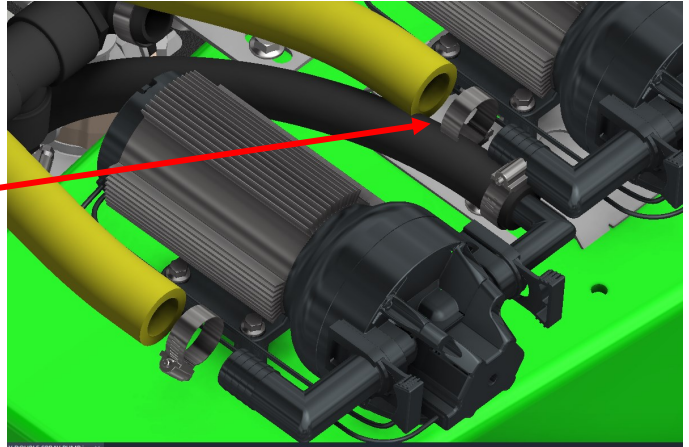
E

D



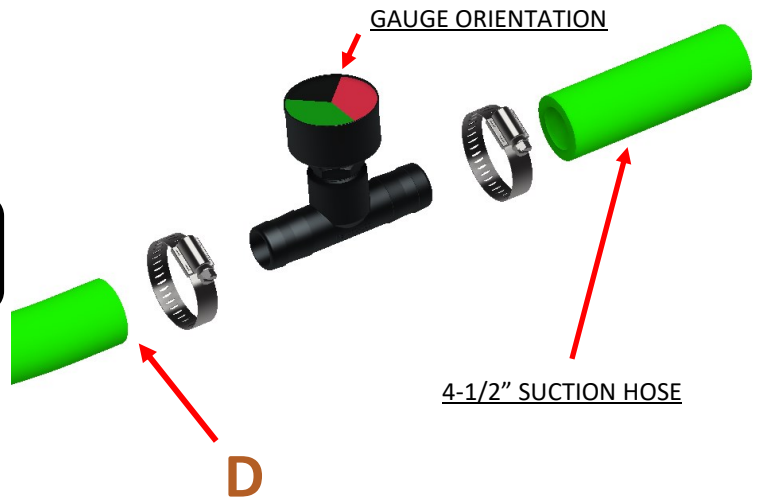
- Connect the other end of hose "E" to the suction port on the spray pump 1.

E



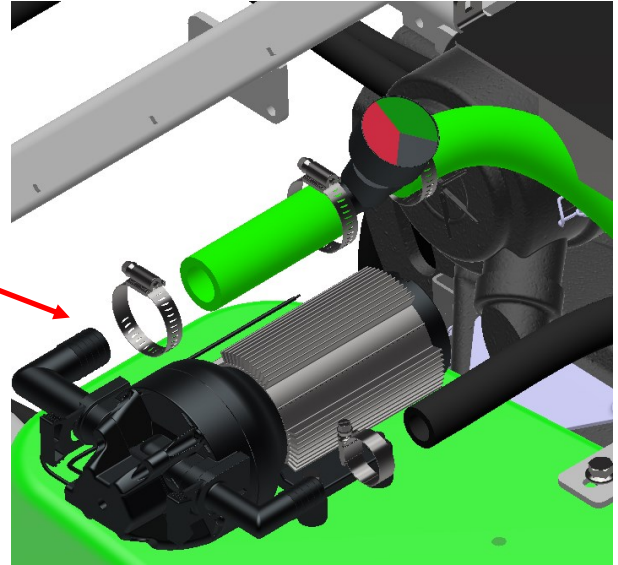
- Connect the other end of hose "D" to the pressure gauge assembly.
- Connect 4-1/2" suction hose to the other side of the pressure gauge fitting.

NOTE: The orientation of the vacuum gauge, so it faces the operator.



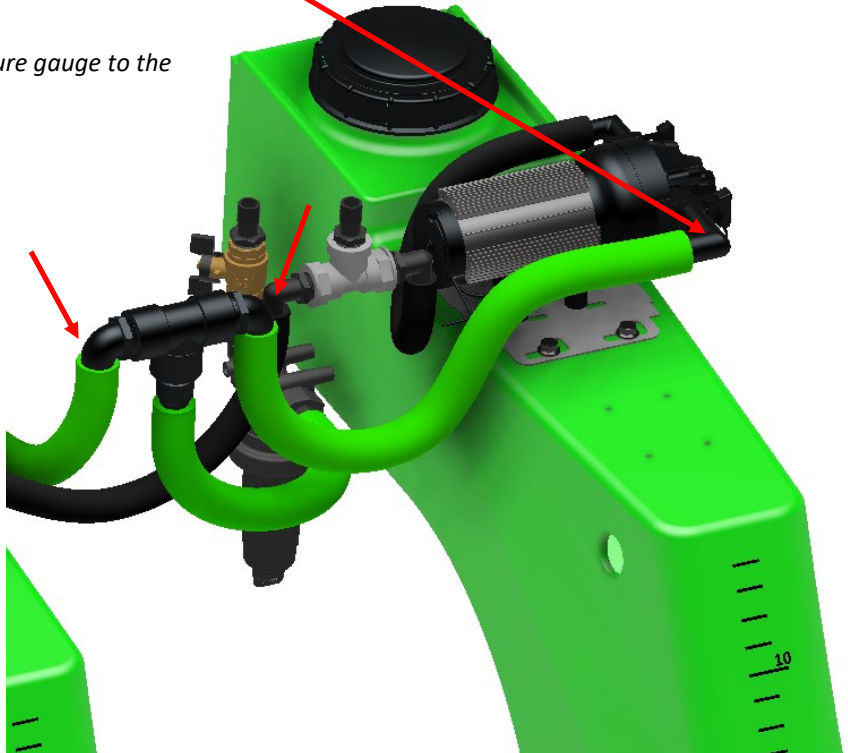
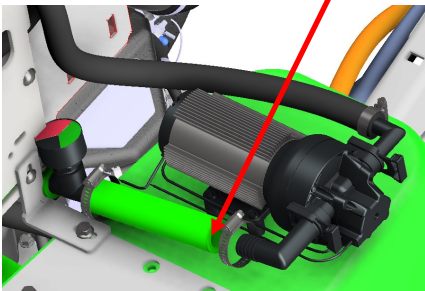
DOUBLE SPRAY PUMP INSTALLATION

- Connect the 4-1/2" hose to the suction port of spray pump 2.



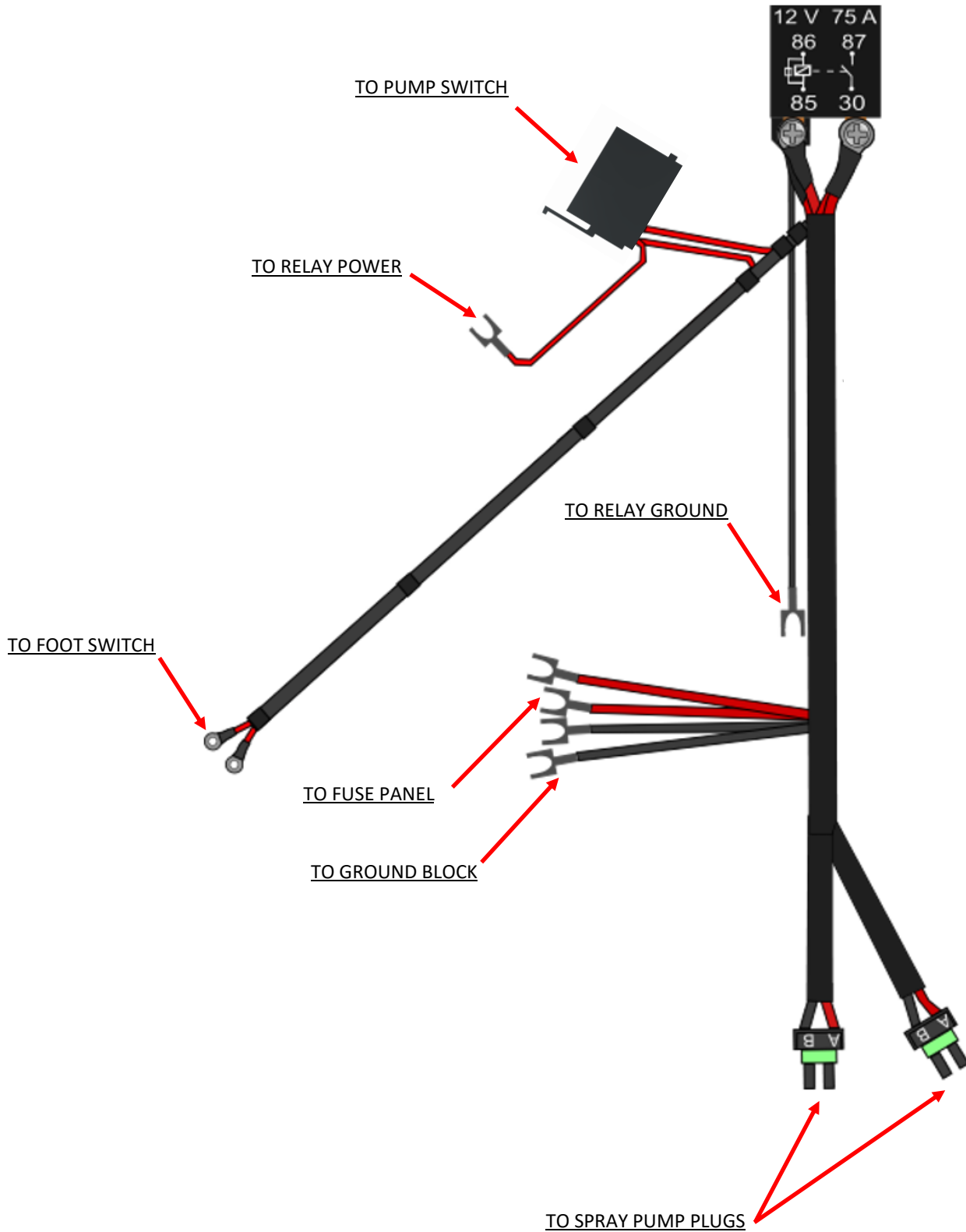
STEP 5A: SG36/42 WITH FOAM MARKER

- Connect one end of the hoses to the tee fitting.
- Connect the other end of the left 1" hose to the suction port on the spray pump 1.
- *Connect the 4-1/2" hose from the pressure gauge to the suction port of spray pump 2.*



DOUBLE SPRAY PUMP INSTALLATION

DUAL PUMP HARNESS SG-FT-75-2



DOUBLE SPRAY PUMP INSTALLATION

CAUTION!

Before beginning any of the following instructions **BESURE** all the tanks have been drained

NOTE:

- Disconnect the battery, ground first and then power wire.
- Before starting the following steps the existing pump wiring harness will need to be removed.

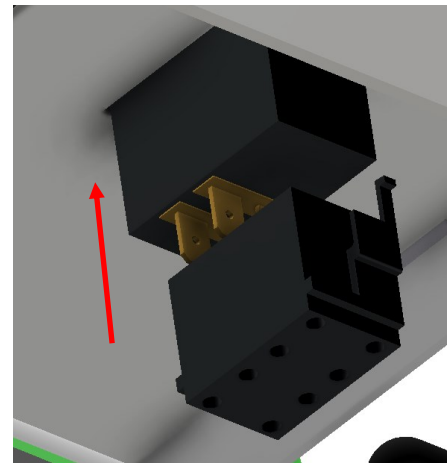


GROUND

POWER

STEP 6: ELECTRICAL DOUBLE SPRAY PUMP

- Connect the double spray pump harness to the pump switch.

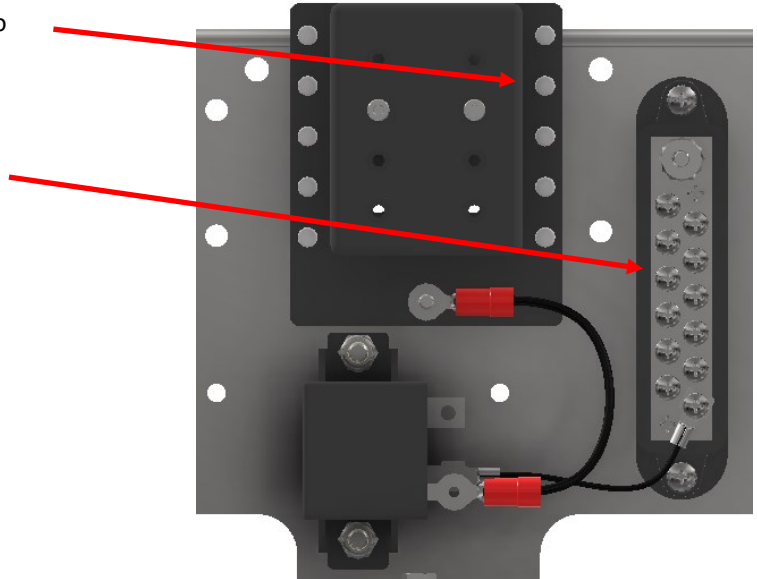


- Route the wires for the foot switch down the upright with the existing bundle, through the hole in the foot board and connect them to the foot switch.



DOUBLE SPRAY PUMP INSTALLATION

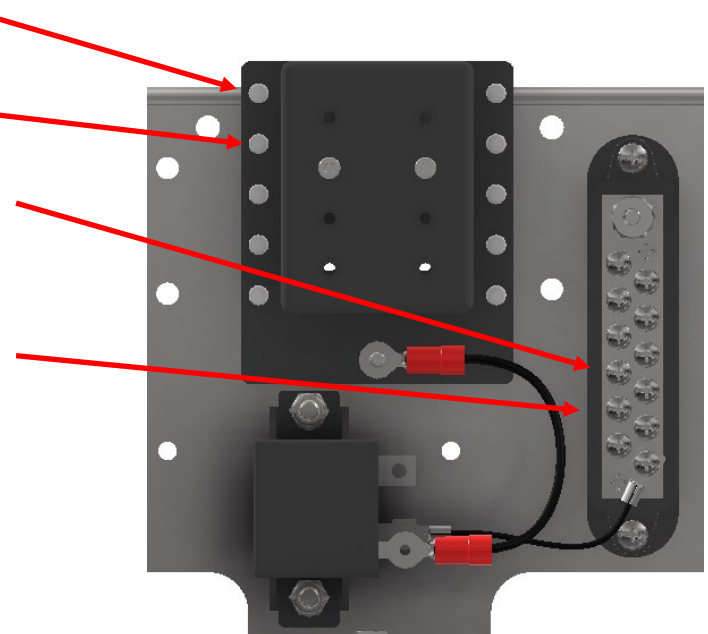
- Connect the power wire from the pump switch to port 7 on the fuse block.
- Connect the ground wire from the relay to the ground block.



PORT	SG 52 SERIES FUSE BLOCK		PORT
1	SPRAY PUMP 1 25 AMP	USB PORT 5 AMP	6
2	SPRAY PUMP 2 25 AMP	SPRAY PUMP SWITCH 25 AMP	7
3	7 GAL. LEFT 25 AMP	SPEEDOMETER 1 AMP	8
4	7 GAL. RIGHT 25 AMP	FOAM MARKER 25 AMP	9
5	HSA 10 AMP	HEADLIGHT 10 AMP	10

Fig. 1

- Connect the power wire from pump 1 to port 1 on the fuse block.
- Connect the power wire from pump 2 to port 2 on the fuse block.
- Connect the ground wire from pump 1 to the ground block.
- Connect the ground wire from pump 2 to the ground block.
- Attach the proper fuses according to the chart Fig. 1.
- Attach the clear cover to the fuse block.



DOUBLE SPRAY PUMP INSTALLATION

STEP 37:

- Reconnect the battery cables, power cable and wires first followed by the ground wire.
- Connect the power and ground cables from the harness.
- Attach the battery box cover and bungee strap.



GROUND

POWER



MADE IN THE USA

Steel Green Mfg.
824 S State Road 39
Lebanon, IN 46052
(765)-481-2890

www.steelgreenmfg.com

MANUAL PART NO.	MANUAL REV.	DESCRIPTION	KIT PART NO.
SGM-015	F	SG DOUBLE SPRAY PUMP	P60004