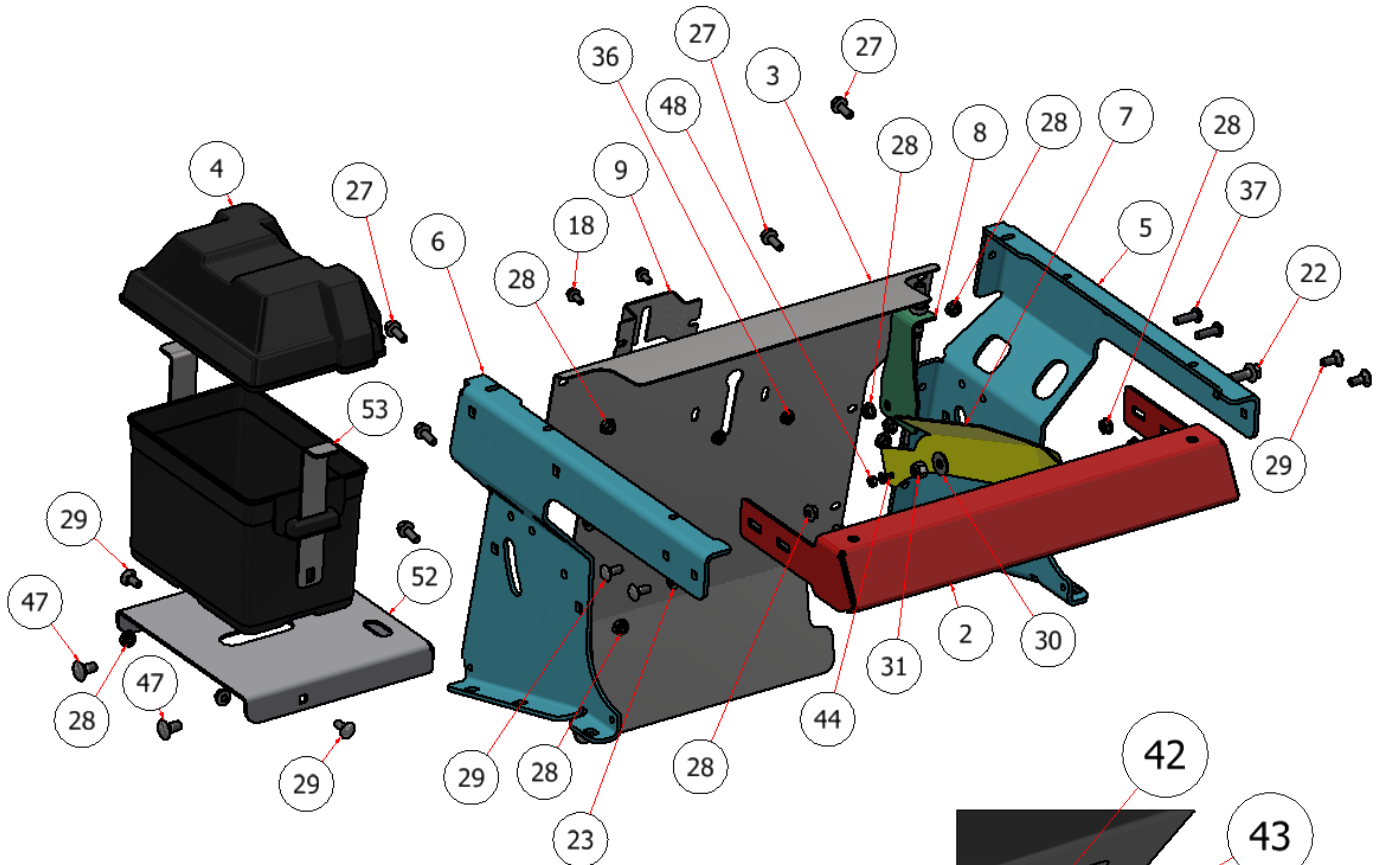


120 HOPPER ASSEMBLY

DRAWING NO. SGEV-056 REV. 3

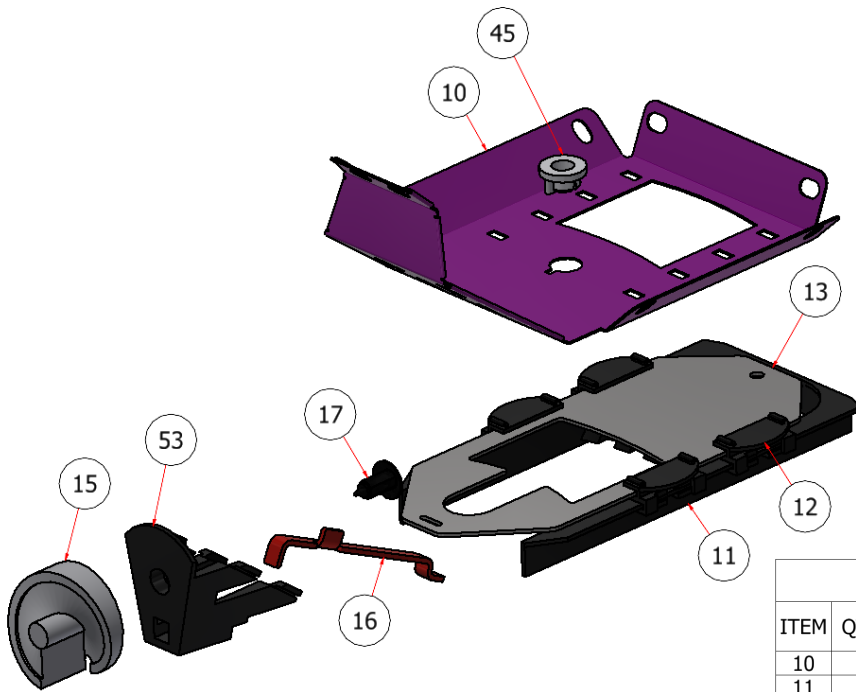


PARTS LIST

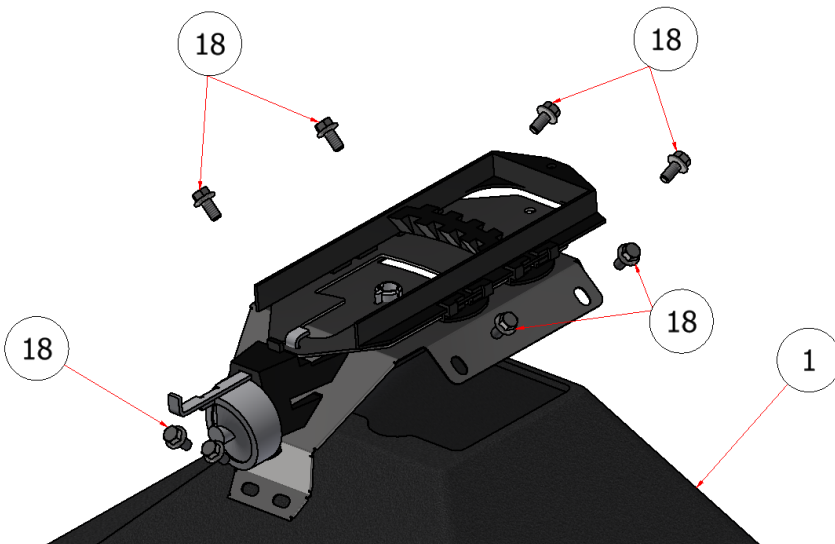
ITEM	QTY	PART NUMBER	TITLE
2	1	R21-044	SG HOPPER BUMPER
3	1	R21-096	SG36, 42 HOPPER BACK SHIELD
4	2	E40002	BATTERY BOX
5	1	R21-095	SG36, 42 HOPPER UPRIGHT LEFT
6	1	R21-095-R	SG36, 42 HOPPER UPRIGHT RIGHT
7	1	R21-109	SG HOPPER DEFLECTOR
8	1	R21-111	SG36, 42 DEFLECTOR CABLE MOUNT
9	1	R21-107	SG36, 42 HOPPER CABLE OFFSET
18	12	HFSSC-145	HEX FLANGE BOLT, SS - 1/4-20 x 1/2
22	3	HFSSC-381	HEX FLANGE BOLT, SS - 3/8-16 x 1
23	4	HFNCS-38S	HEX FLANGE NUT, SS - 3/8-16
27	8	HFSSC-51634	HEX FLANGE BOLT, 5/16-18 x 3/4
28	14	HFNCS-516S	HEX FLANGE NUT, SS - 5/16-18
29	6	CB-51634	CARRIAGE BOLT, SS - 5/16-18 x 3/4
30	2	FWSS-38	FLAT WASHER, SS - 3/8
31	1	SSNNC-38	NYLOCK, SS - 3/8-16
36	2	HFNCS-14SS	HEX FLANGE NUT, 1/4-20
43	1	D71003	CABLE, DEFLECTOR
45	1	D71005	BALL JOINT
47	2	CB-3834SS	CARRIAGE BOLT, SS - 3/8-16 x 3/4
48	1	SSNNC 10-32B	HEX NUT, NYLOCK, 10-32
52	1	R21-234	SG42, 36 BATTERY BOX MOUNT
53	2	R21-214	SG 2022 BATTERY BOX HOLD DOWN

NOTE: Quantities in the parts list above are total per machine. Please note the quantities used in the sub-assemblies.

120 HOPPER ASSEMBLY



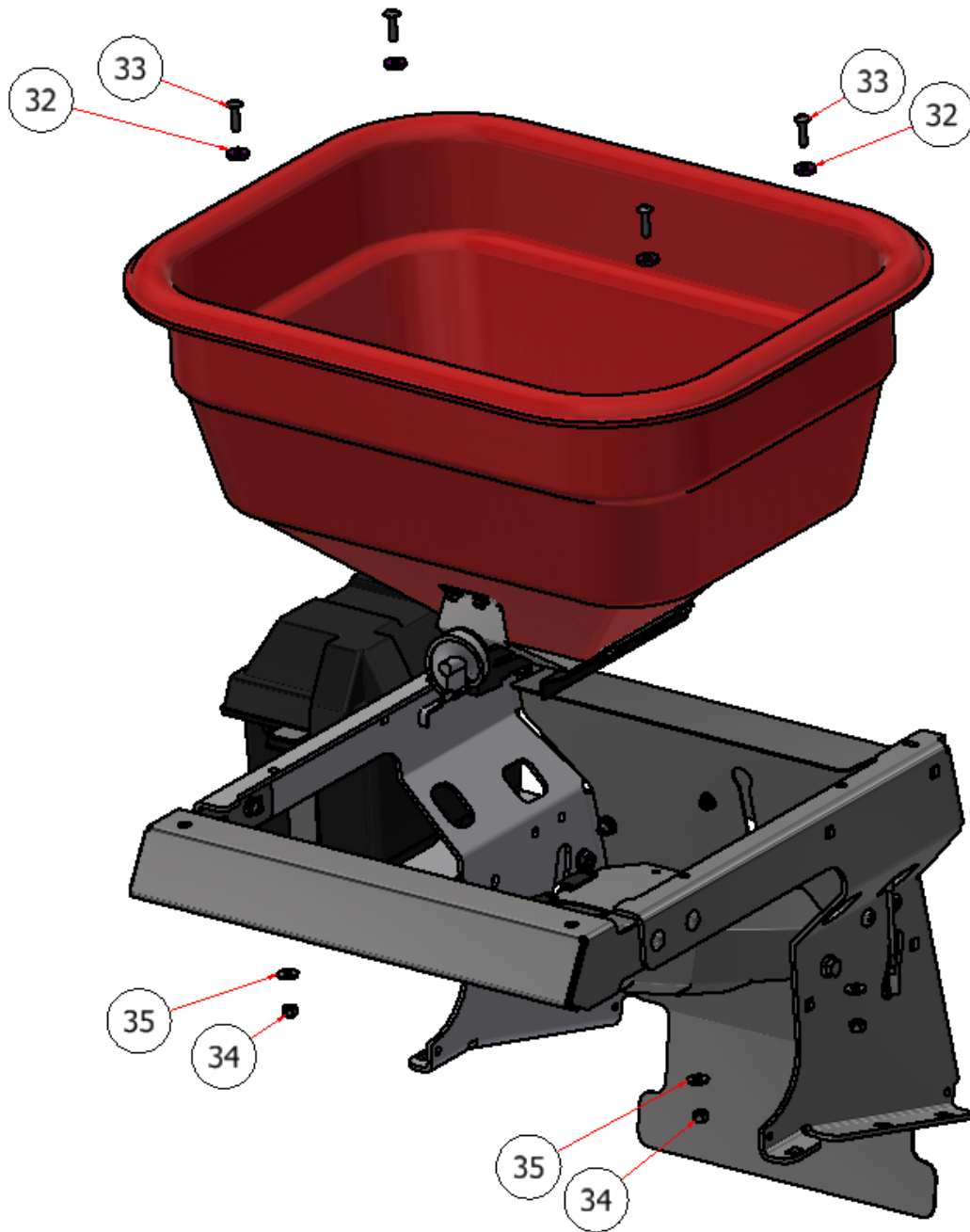
PARTS LIST			
ITEM	QTY	PART NUMBER	TITLE
10	1	D70009	BOTTOM, 125 HOPPER
11	1	D70004	DIFFUSER
12	4	D70005	GUIDE, RATE GATE/DIFFUSER
13	1	D70025	DOOR, HOPPER
15	1	D70001	DIAL, RATE
16	1	D70003	LINKAGE, RATE DIAL
17	1	D70016	CLIP, PINE TREE
45	1	D70008	BUSHING, HOPPER BOTTOM
53	1	D70002	SUPPORT, RATE DIAL



PARTS LIST			
ITEM	QTY	PART NUMBER	TITLE
1	1	D70013	TUB, 120 HOPPER
18	12	HFSSC-145	HEX FLANGE BOLT, SS - 1/4-20 x 1/2

NOTE: Quantities in the parts list above are total per machine. Please note the quantities used in the sub-assemblies.

120 HOPPER ASSEMBLY



PARTS LIST			
ITEM	QTY	PART NUMBER	TITLE
32	4	NFW-14B	WASHER, PLASTIC, 1/4
33	4	TRPC-141S	PHILLIPS SCREW, SS - 1/4-20 x 1
34	4	SSNNC-14	NYLOCK, SS - 1/4-20
35	4	FWSS-14	FLAT WASHER, SS - 1/4

NOTE: Quantities in the parts list above are total per machine. Please note the quantities used in the sub-assemblies.

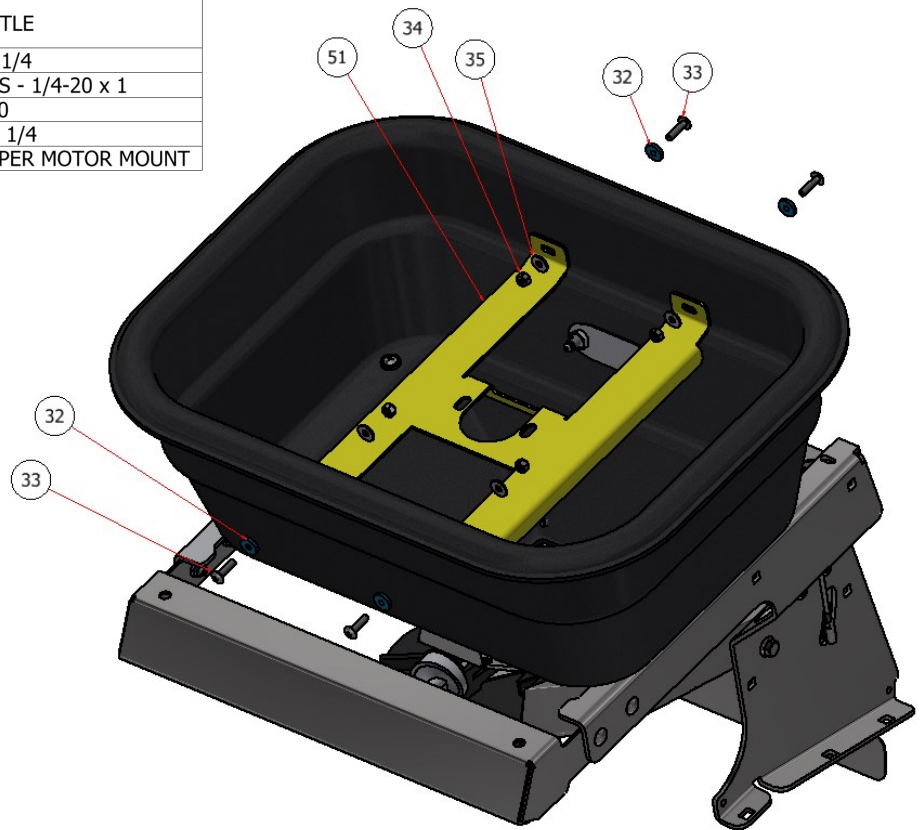
120 HOPPER ASSEMBLY



PARTS LIST			
ITEM	QTY	PART NUMBER	TITLE
24	2	R21-046	SG HOPPER HOSE PLATE
38	2	H84020	FITTING, HOPPER BULK HEAD



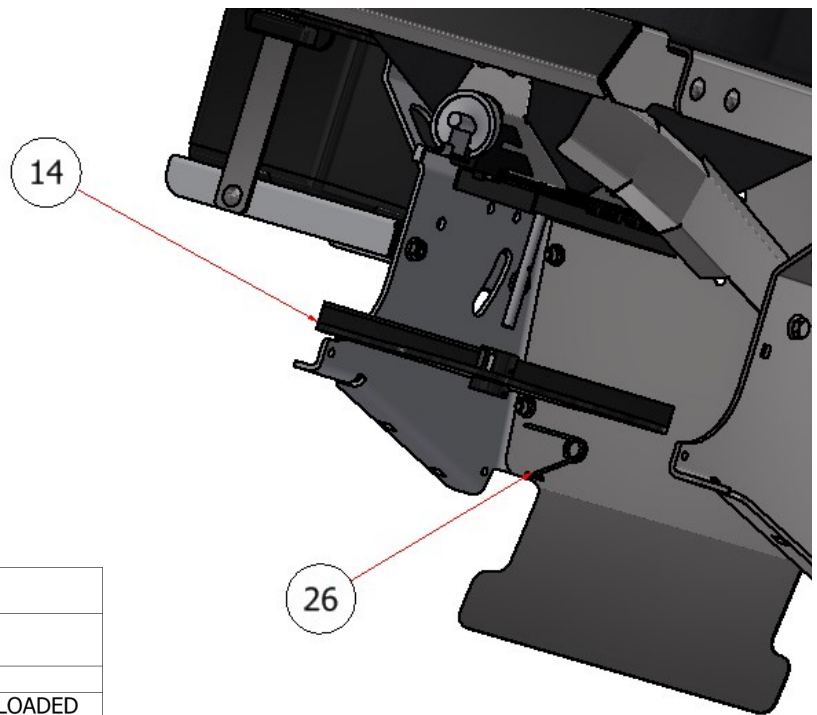
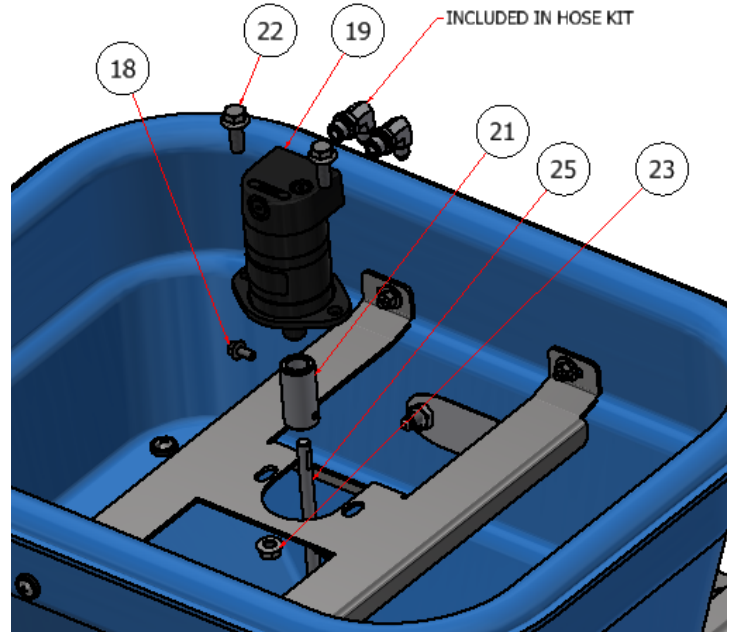
PARTS LIST			
ITEM	QTY	PART NUMBER	TITLE
32	4	NFW-14B	WASHER, PLASTIC, 1/4
33	4	TRPC-141S	PHILLIPS SCREW, SS - 1/4-20 x 1
34	4	SSNNC-14	NYLOCK, SS - 1/4-20
35	4	FWSS-14	FLAT WASHER, SS - 1/4
51	1	R21-131	SG42, 36 2020 HOPPER MOTOR MOUNT



NOTE: Quantities in the parts list above are total per machine. Please note the quantities used in the sub-assemblies.

120 HOPPER ASSEMBLY

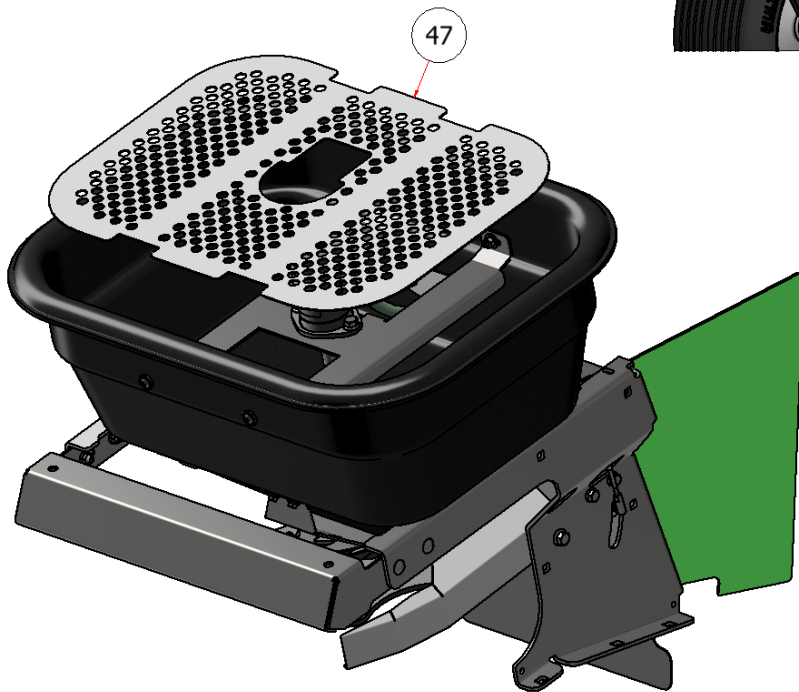
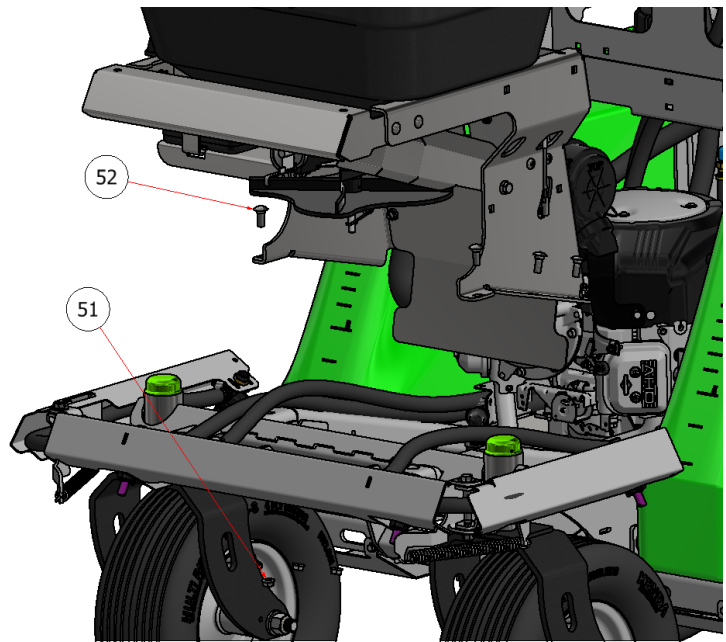
PARTS LIST			
ITEM	QTY	PART NUMBER	TITLE
18	12	HFSSC-145	HEX FLANGE BOLT, SS - 1/4-20 x 1/2
19	1	H81441	HOPPER MOTOR
21	1	R31011	COUPLER, HOPPER MOTOR
22	3	HFSSC-381	HEX FLANGE BOLT, SS - 3/8-16 x 1
23	4	HFNCS-38S	HEX FLANGE NUT, SS - 3/8-16
25	1	R31017	SHAFT, 120 HOPPER



PARTS LIST			
ITEM	QTY	PART NUMBER	TITLE
14	1	D70000	SPINNER, HOPPER
26	1	D70019	CLIP, SPINNER SPRING LOADED

NOTE: Quantities in the parts list above are total per machine. Please note the quantities used in the sub-assemblies.

120 HOPPER ASSEMBLY



PARTS LIST			
ITEM	QTY	PART NUMBER	DESCRIPTION
51	10	HFNCS-38S	HEX FLANGE NUT - 3/8-16
52	6	CB-381SS	BOLT, CARRAGE, 3/8 X 1
47	1	R21-377	SG 120 ROUND HOLE HOPPER SCREEN

NOTE: Quantities in the parts list above are total per machine. Please note the quantities used in the sub-assemblies.