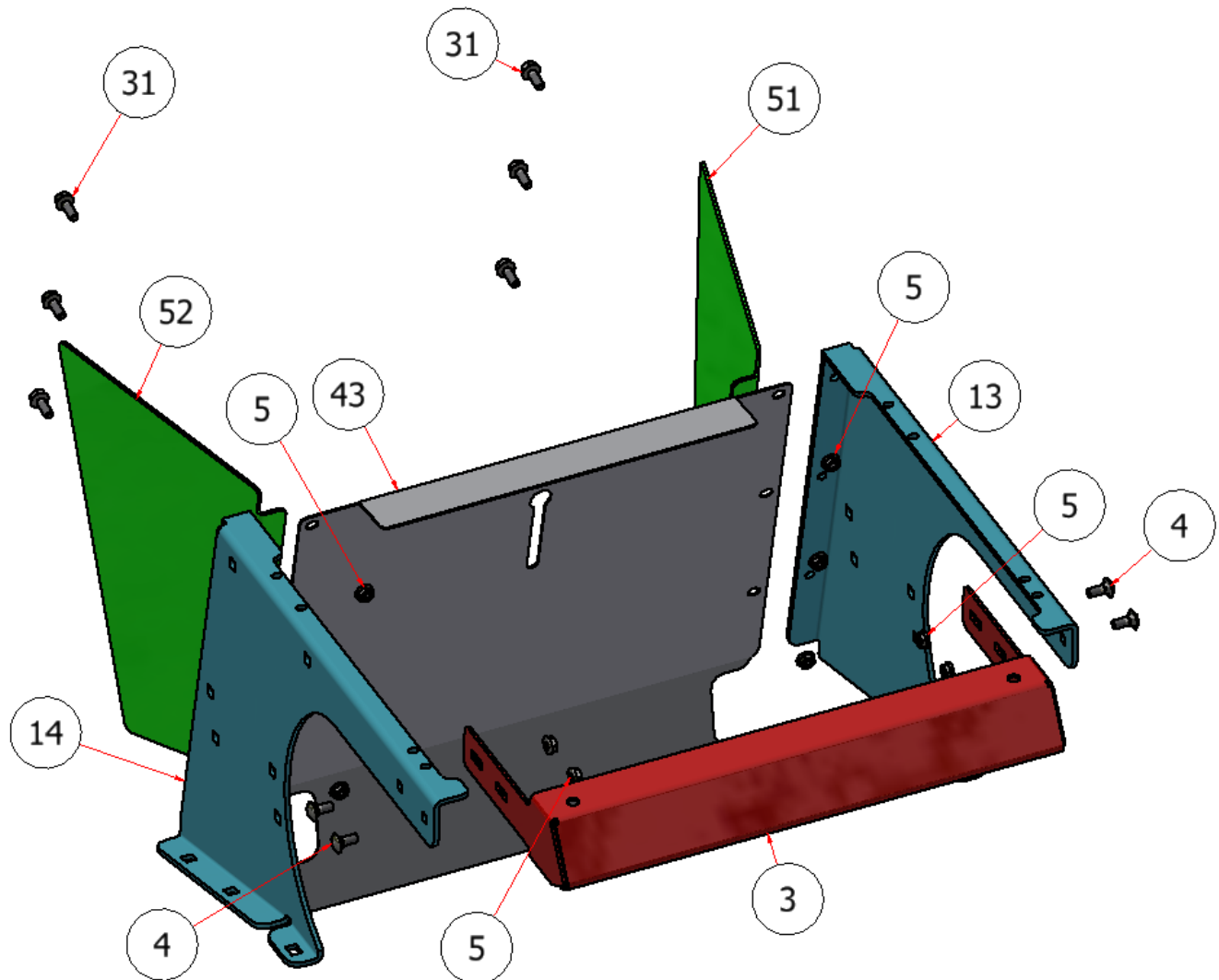


220 HOPPER ASSEMBLY

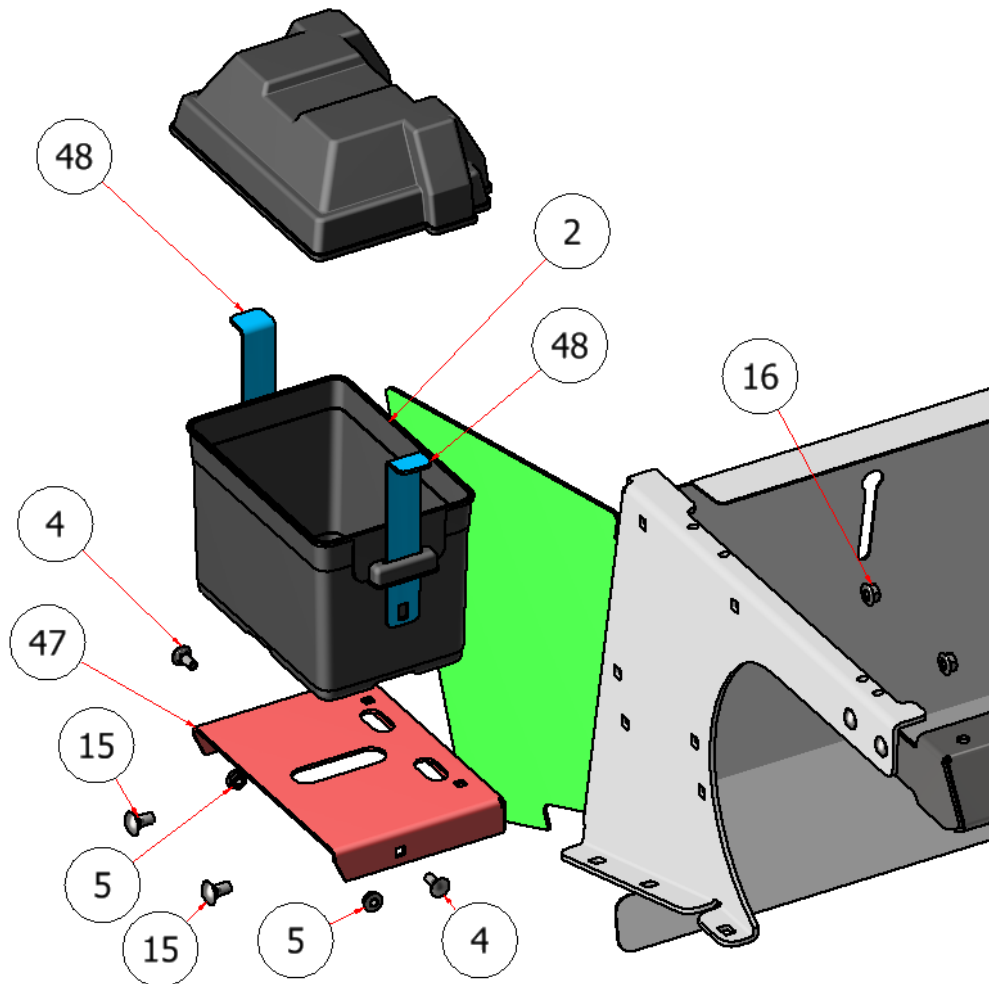
DRAWING NO. SGEV-057 REV. 6



PARTS LIST			
ITEM	QTY	PART NUMBER	TITLE
4	6	CB-51634	CARRIAGE BOLT, SS - 5/16-18 x 3/4
5	12	HFNCS-516S	HEX FLANGE NUT, SS - 5/16-18
13	1	W21-043-L	HOPPER FRAME, LEFT
14	1	W21-043-R	HOPPER FRAME, RIGHT
31	6	HFSSC-51634	HEX FLANGE BOLT, 5/16-18 x 3/4
43	1	R21-045	SG52, 46 HOPPER BACK SHIELD
51	1	C60319-L	FERT SHIELD, HOPPER, LEFT
52	1	C60319-R	FERT SHIELD, HOPPER, RIGHT

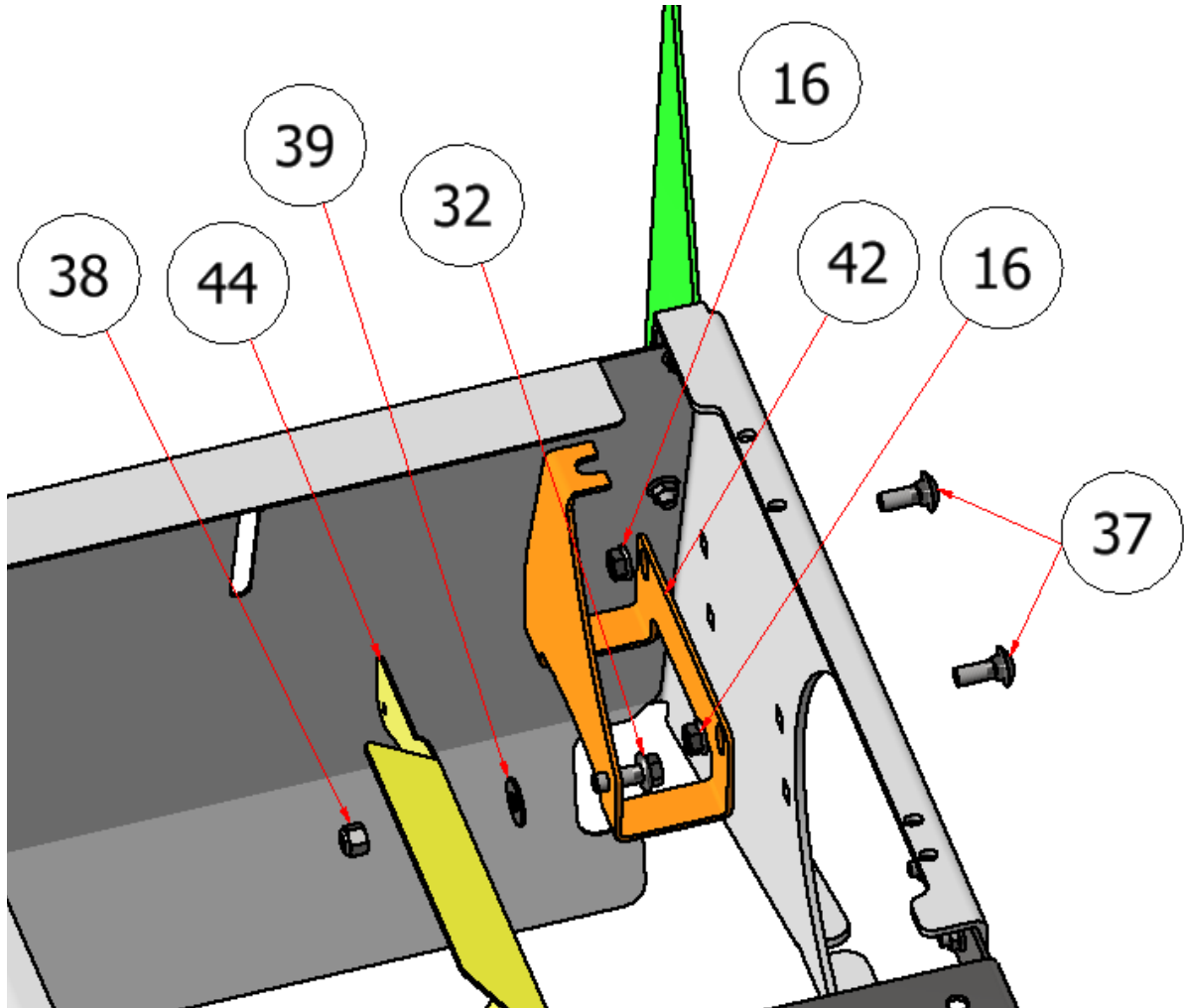
NOTE: Quantities in the parts list above are total per machine. Please note the quantities used in the sub-assemblies.

220 HOPPER ASSEMBLY



PARTS LIST			
ITEM	QTY	PART NUMBER	TITLE
2	2	E40002	BATTERY BOX
4	6	CB-51634	CARRIAGE BOLT, SS - 5/16-18 x 3/4
5	12	HFNCS-516S	HEX FLANGE NUT, SS - 5/16-18
15	2	CB-3834SS	CARRIAGE BOLT, SS - 3/8-16 x 3/4
16	6	HFNCS-38S	HEX FLANGE NUT, SS - 3/8-16
47	1	R21-213	SG52, 46 2022 BATTERY BOX MOUNT
48	2	R21-214	SG 2022 BATTERY BOX HOLD DOWN

NOTE: Quantities in the parts list above are total per machine. Please note the quantities used in the sub-assemblies.

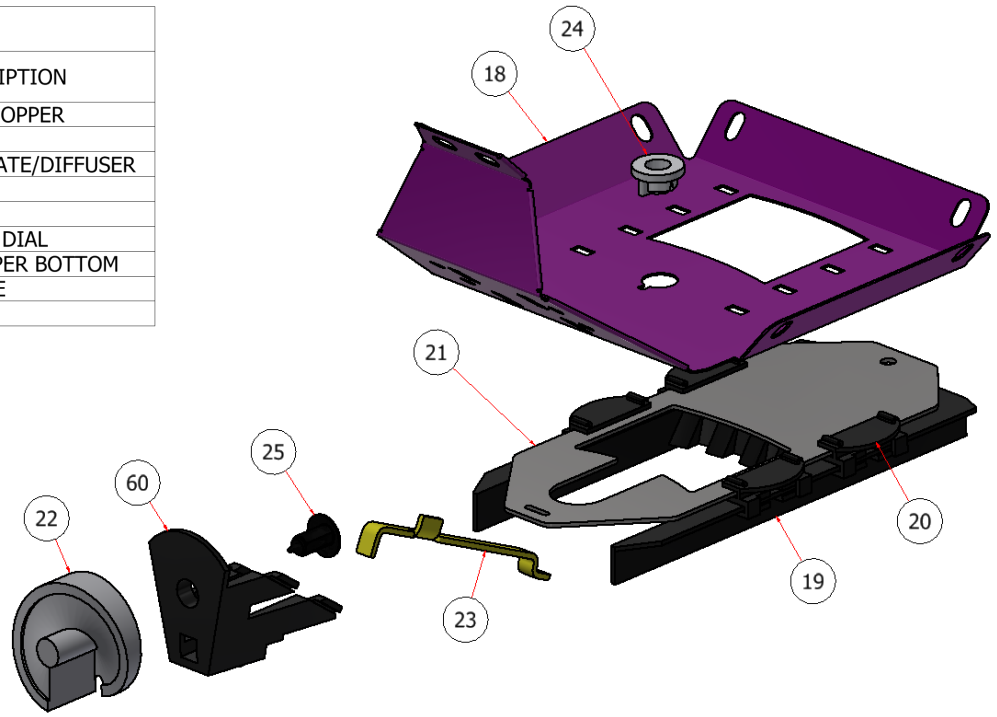


PARTS LIST			
ITEM	QTY	PART NUMBER	TITLE
16	6	HFNCS-38S	HEX FLANGE NUT, SS - 3/8-16
32	3	HFSSC-381	HEX FLANGE BOLT, SS - 3/8-16 x 1
37	2	CB-381SS	CARRIAGE BOLT, SS - 3/8-16 x 1
38	1	SSNNC-38	NYLOCK, SS - 3/8-16
39	1	FWSS-38	FLAT WASHER, SS - 3/8
42	1	R21-110	SG52, 46 DEFLECTOR PIVOT
44	1	R21-109	SG HOPPER DEFLECTOR

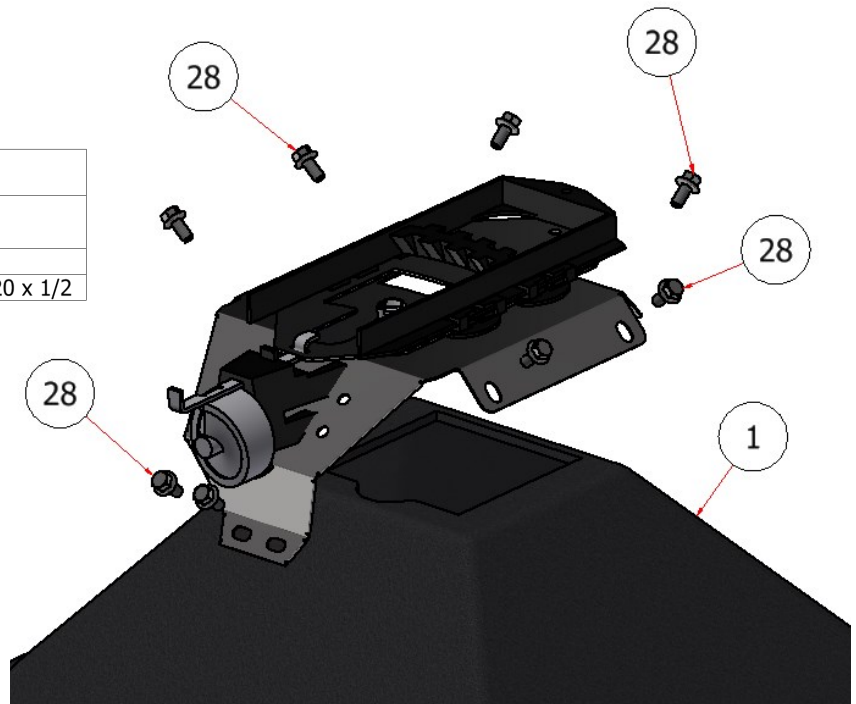
NOTE: Quantities in the parts list above are total per machine. Please note the quantities used in the sub-assemblies.

220 HOPPER ASSEMBLY

PARTS LIST			
ITEM	QTY	PART NUMBER	DESCRIPTION
18	1	D70010	BOTTOM, 220 HOPPER
19	1	D70004	DIFFUSER
20	4	D70005	GUIDE, RATE GATE/DIFFUSER
21	1	D70025	DOOR, HOPPER
22	1	D70001	DIAL, RATE
23	1	D70003	LINKAGE, RATE DIAL
24	1	D70008	BUSHING, HOPPER BOTTOM
25	1	D70016	CLIP, PINE TREE
60	1	D70002	HOLDER, DIAL

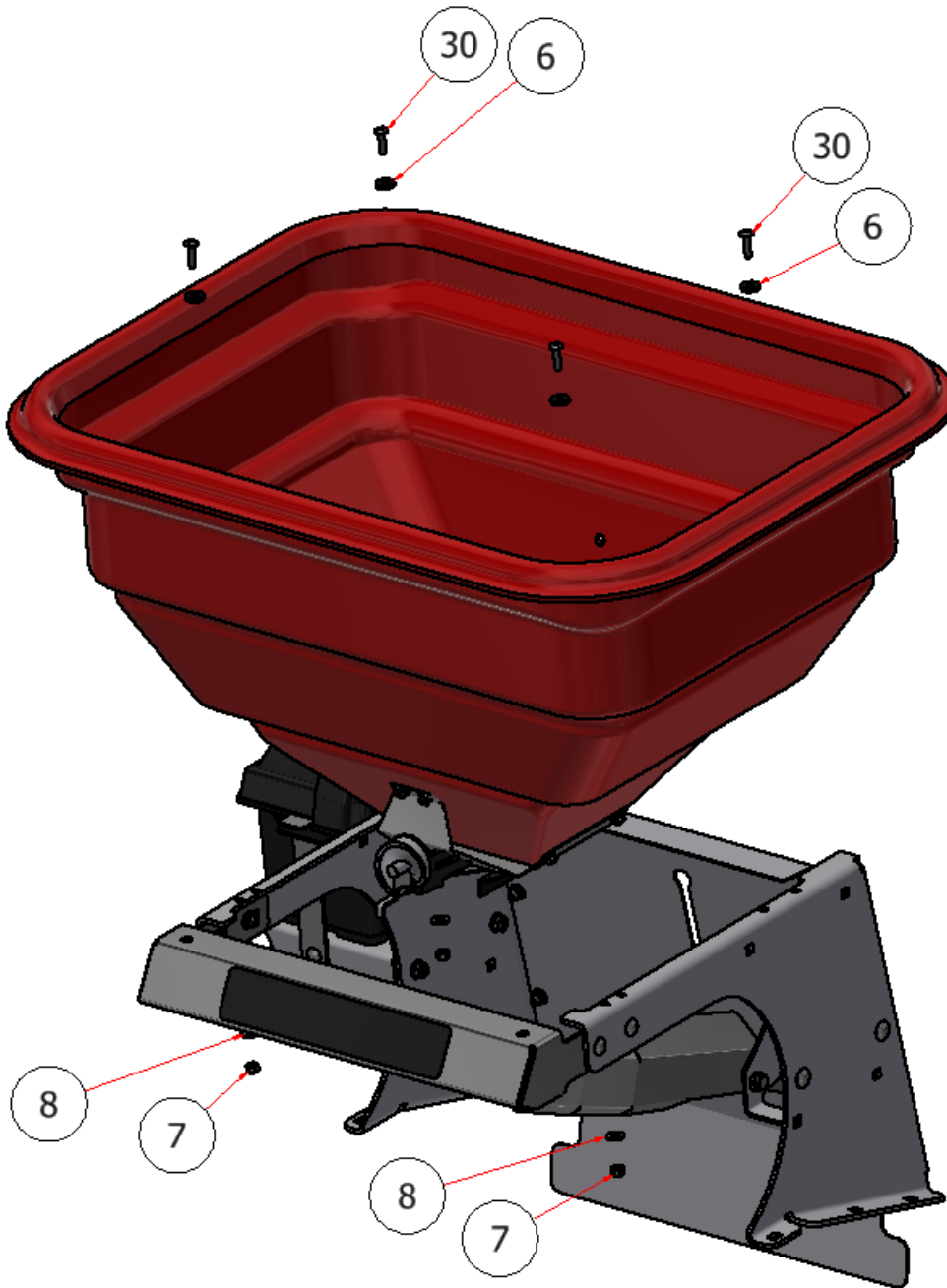


PARTS LIST			
ITEM	QTY	PART NUMBER	DESCRIPTION
1	1	D70014	TUB, 220 HOPPER
28	10	HFSSC-145	HEX FLANGE BOLT, SS - 1/4-20 x 1/2



NOTE: Quantities in the parts list above are total per machine. Please note the quantities used in the sub-assemblies.

220 HOPPER ASSEMBLY



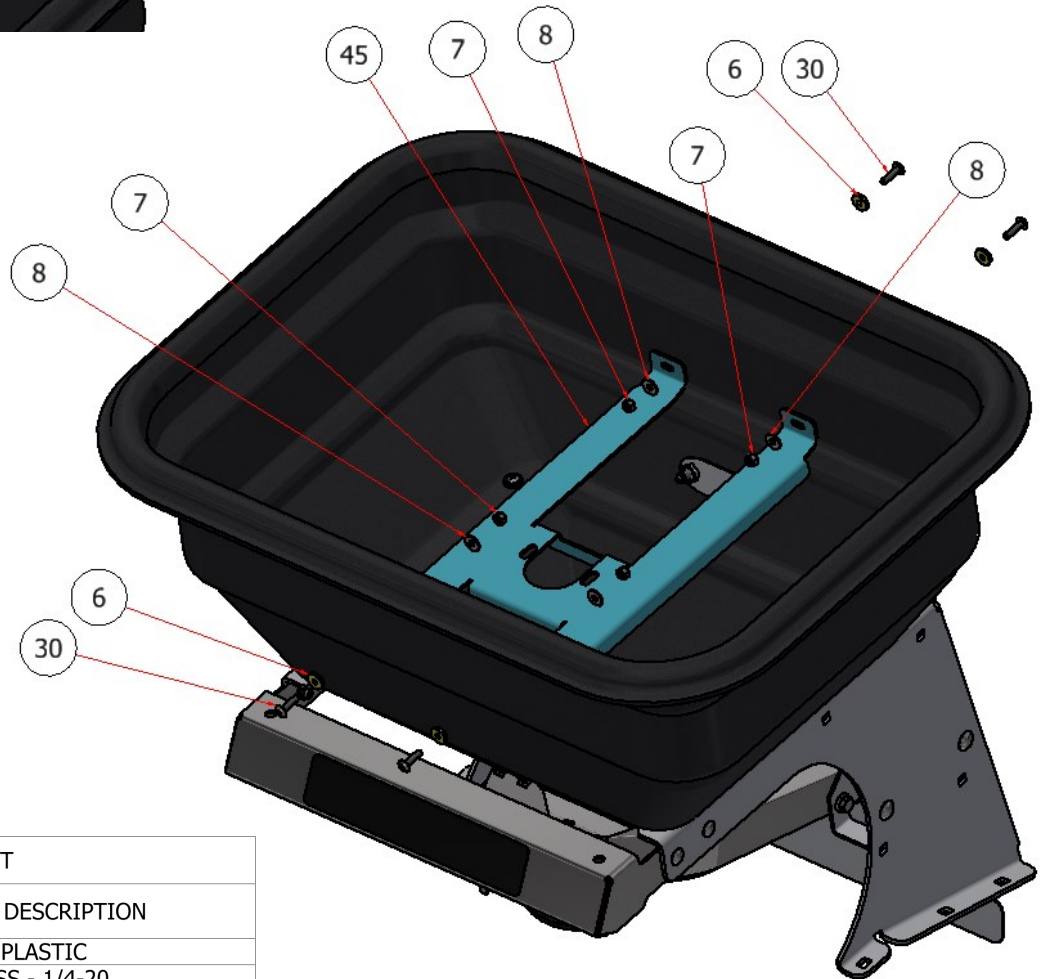
PARTS LIST			
ITEM	QTY	PART NUMBER	DESCRIPTION
6	4	NFW-14B	WASHER, PLASTIC
7	4	SSNNC-14	NYLOCK, SS - 1/4-20
8	4	FWSS-14	FLAT WASHER, SS - 1/4
30	4	TRPC-141S	PHILLIPS SCREW, SS - 1/4-20 x 1

NOTE: Quantities in the parts list above are total per machine. Please note the quantities used in the sub-assemblies.

220 HOPPER ASSEMBLY



PARTS LIST			
ITEM	QTY	PART NUMBER	DESCRIPTION
12	2	R21-046	PLATE, HOPPER HOSE FITTINGS
33	2	H84020	FITTING, HOPPER BULK HEAD

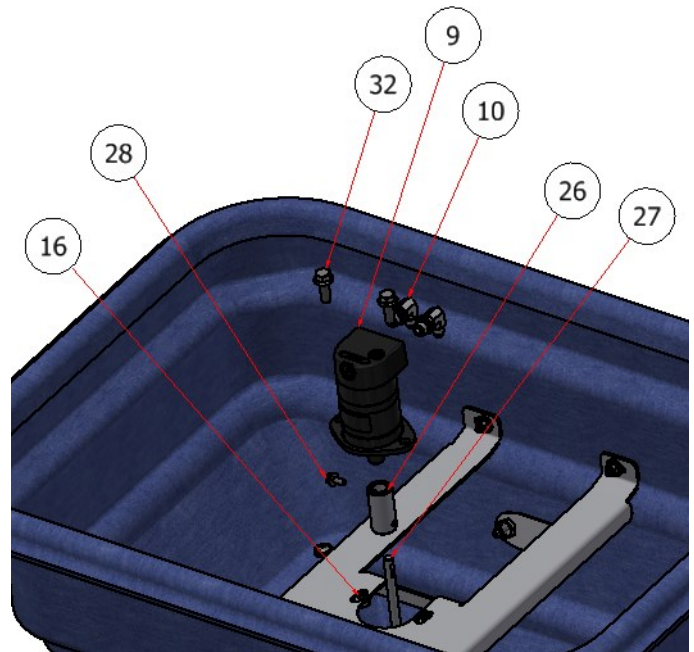


PARTS LIST			
ITEM	QTY	PART NUMBER	DESCRIPTION
6	4	NFW-14B	WASHER, PLASTIC
7	4	SSNNC-14	NYLOCK, SS - 1/4-20
8	4	FWSS-14	FLAT WASHER, SS - 1/4
30	4	TRPC-141S	PHILLIPS SCREW, SS - 1/4-20 x 1
45	1	R21-129	SUPPORT, GRATE, 220 HOPPER

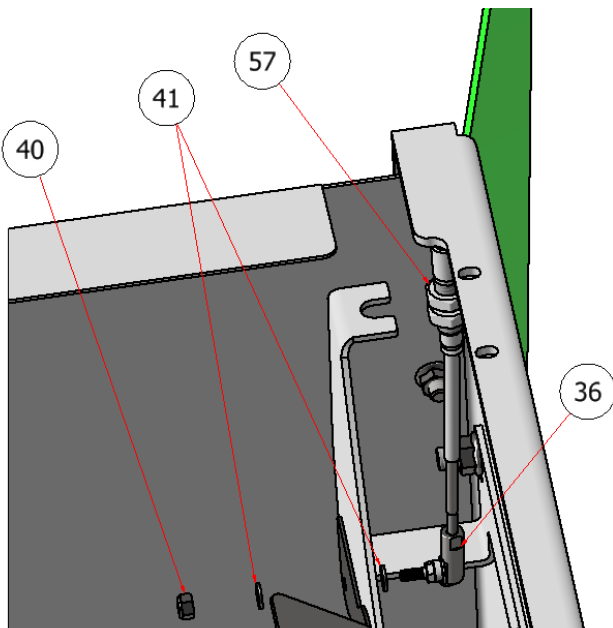
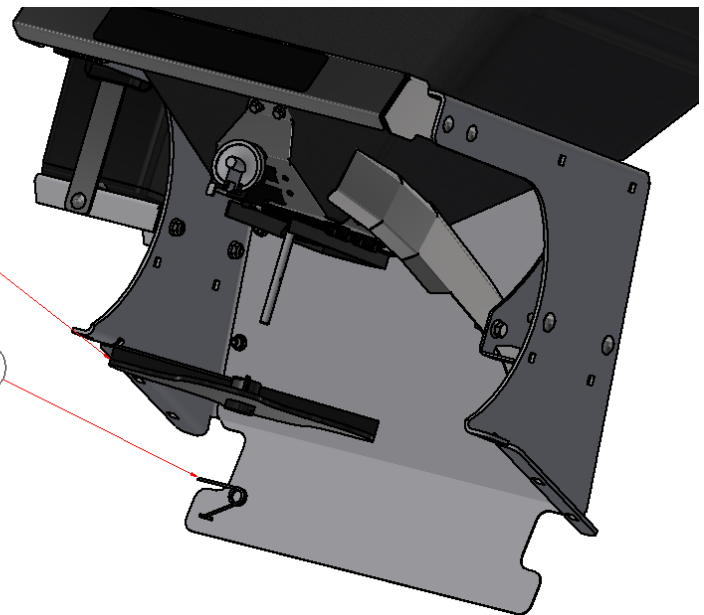
NOTE: Quantities in the parts list above are total per machine. Please note the quantities used in the sub-assemblies.

220 HOPPER ASSEMBLY

PARTS LIST			
ITEM	QTY	PART NUMBER	DESCRIPTION
9	1	H81441	MOTOR, HOPPER
10	2	H84000-L	FITTING, HOPPER MOTOR
16	6	HFNCS-38S	HEX FLANGE NUT, SS - 3/8-16
26	1	R31011	COUPLER, HOPPER MOTOR
27	1	R31009	SHAFT, HOPPER MOTOR
28	10	HFSSC-145	HEX FLANGE BOLT, SS - 1/4-20 x 1/2
32	3	HFSSC-381	HEX FLANGE BOLT, SS - 3/8-16 x 1
45	1	R21-129	SUPPORT, GRATE, 220 HOPPER



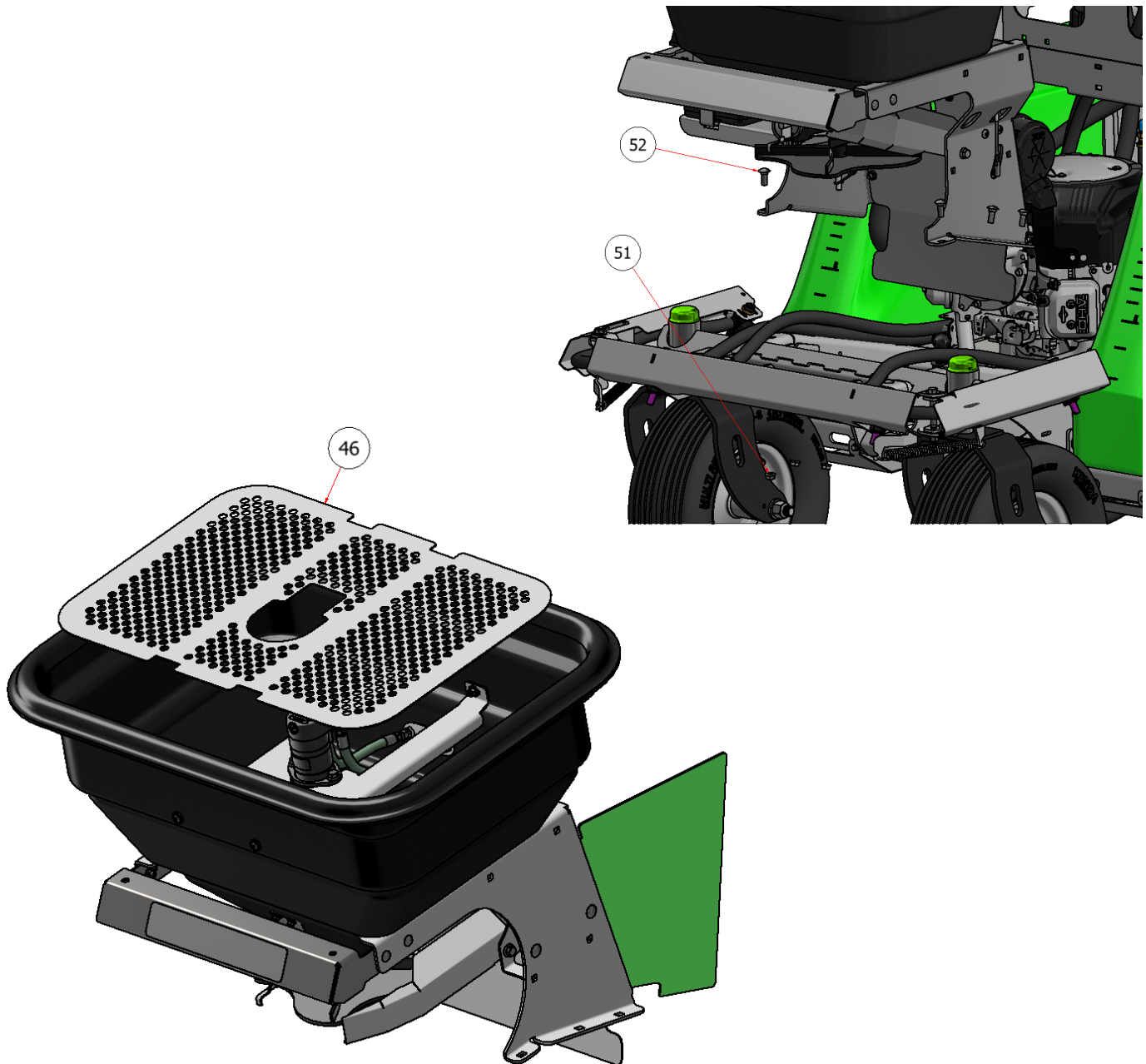
PARTS LIST			
ITEM	QTY	PART NUMBER	DESCRIPTION
17	1	D70000	SPINNER, HOPPER
29	1	D70019	CLIP, SPINNER SPRING LOADED



PARTS LIST			
ITEM	QTY	PART NUMBER	TITLE
36	1	D71005	BALL JOINT
40	1	SSNNC 10-32B	HEX NUT, NYLOCK, 10-32
41	2	FSW-10	FLAT WASHER, SS-10
42	1	R21-110	SG52, 46 DEFLECTOR PIVOT
57	2	D71003	DEFLECTOR/DIFFUSER CABLE

NOTE: Quantities in the parts list above are total per machine. Please note the quantities used in the sub-assemblies.

220 HOPPER ASSEMBLY



PARTS LIST			
ITEM	QTY	PART NUMBER	DESCRIPTION
51	10	HFNCS-38S	HEX FLANGE NUT - 3/8-16
52	6	CB-381SS	BOLT, CARRAGE, 3/8 X 1
46	1	R21-378	SG 220 ROUND HOLE HOPPER SCREEN

NOTE: Quantities in the parts list above are total per machine. Please note the quantities used in the sub-assemblies.