

HI FLOW PUMP ATTACHMENT

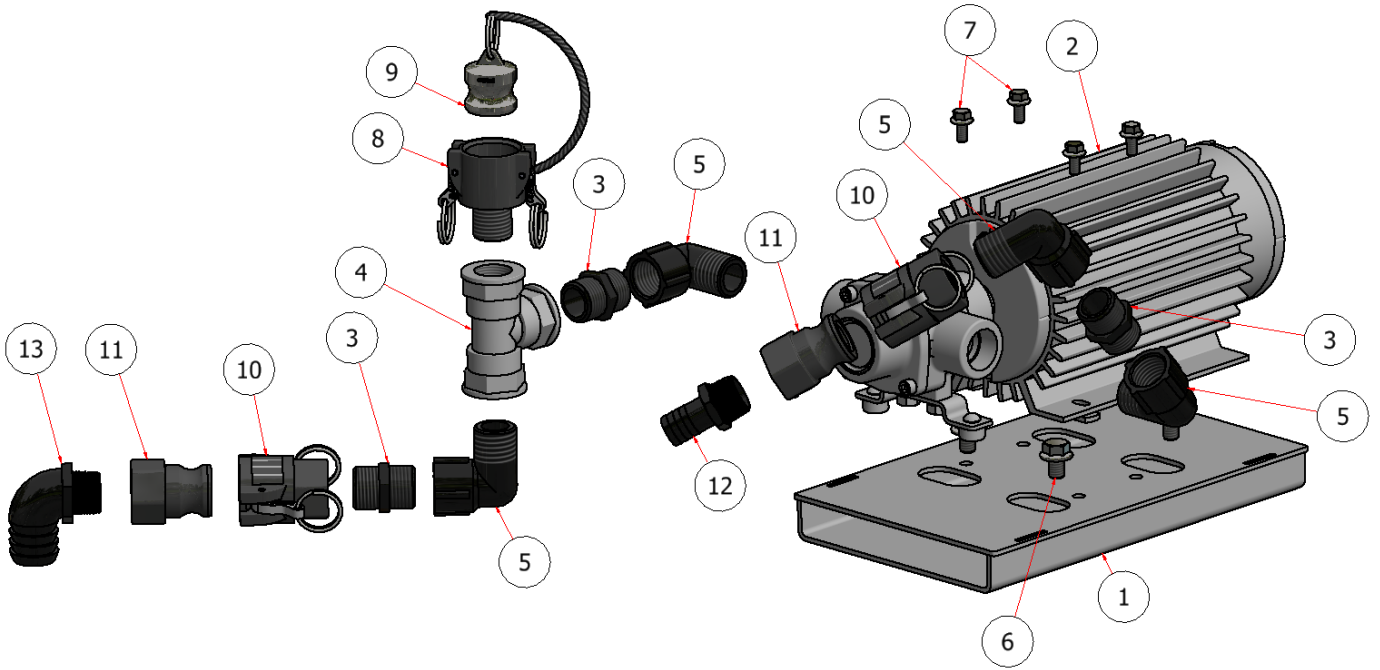
PART NO. A60000-46

PART NO. A60000-52

SGATT-006 Rev. 1

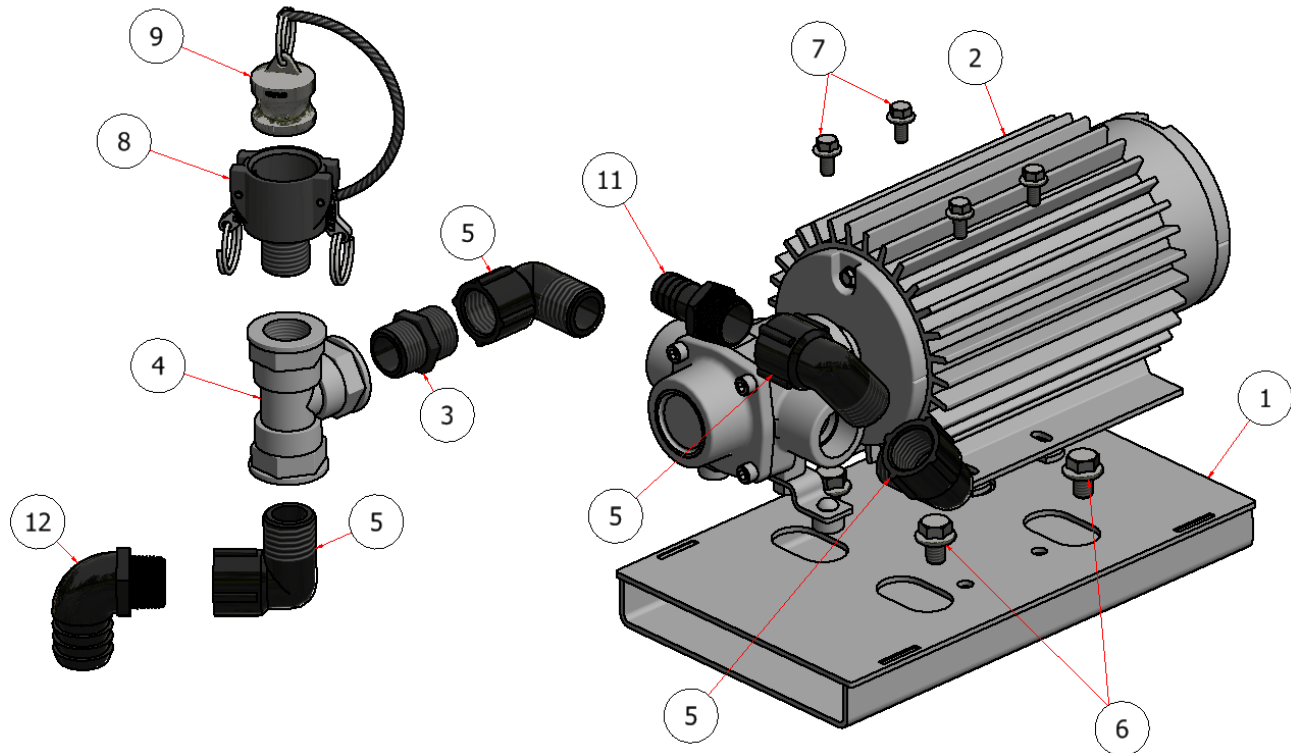


HI-FLOW PUMP SG46\52



HI FLOW PUMP			
ITEM	QTY	PART NUMBER	DESCRIPTION
1	1	W22-007	BASE, HI FLOW PUMP
2	1	4001N-E2H	PUMP, HI-FLOW
3	3	S52063	3/4 X 3/4 ST
4	1	S52006	TEE, BANJIO, 3/4
5	4	S52041	90 ELBOW, 3/4 MNPT X 3/4 FNPT
6	4	HFSSC-3812	HEX BOLT, 3/8" X 1/2"
7	4	HFSSC-145	HEX FLANGE BOLT, SS - 1/4-20 x 1/2
8	1	S51304	QD, 3/4" MNPT X 3/4" FNPT
9	1	S51303	QD, PLUG
10	2	S51297	QD, 3/4" COUPLER X 3/4" NPT
11	2	S51298	QD MALE, X 3/4" FNPT
12	1	S52015	3/4" MNPT X 3/4" BARB
13	1	EL100 HB	3/4 X 1 BARB ELBOW

HI-FLOW PUMP SG36/42



HI FLOW PUMP SG36			
ITEM	QTY	PART NUMBER	DESCRIPTION
1	1	W22-007	PUMP BASE, HI-FLOW
2	1	4001N-E2H	PUMP, HI-FLOW
3	3	S52063	3/4 X 3/4 ST
4	1	S52006	TEE, BANJIO, 3/4
5	5	S52041	90 ELBOW, 3/4 MNPT X 3/4 FNPT
6	4	HFSSC-3812	HEX BOLT, 3/8" X 1/2"
7	4	HFSSC-145	HEX FLANGE BOLT, SS - 1/4-20 x 1/2
8	1	S51304	QD, 3/4" FNPT X 3/4" MNPT
9	1	S51303	QD, 3/4" PLUG
10	2	S51297	3/4" COUPLER X 3/4" NPT
11	2	S52015	3/4" MNPT X 3/4" BARB
12	2	EL100 HB	3/4 X 1 BARB ELBOW