

# STEELGREEN<sup>™</sup>

## MANUFACTURING

### INSTRUCTION MANUAL

#### LIGHT BAR ATTACHMENT

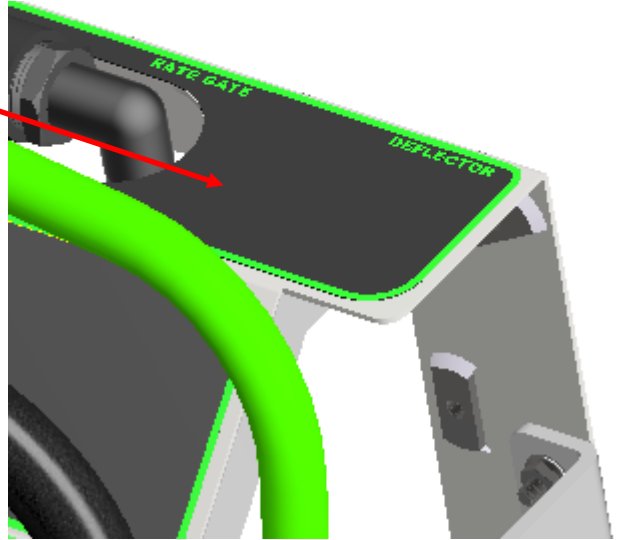
Models: SG36, SG42, SG46, & SG52



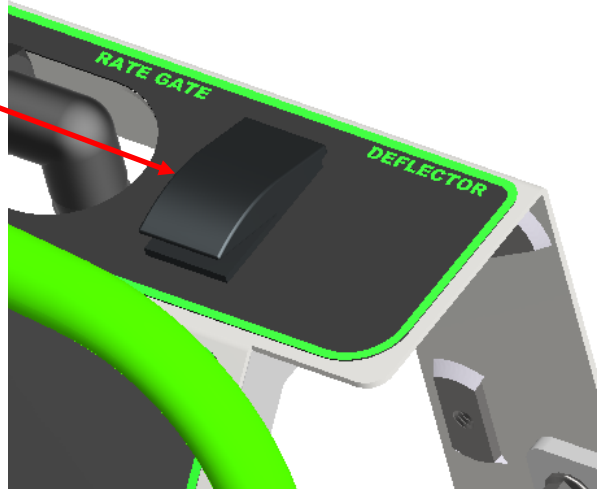
## LED LIGHT BAR ATTACHMENT INSTRUCTIONS

### STEP 1:

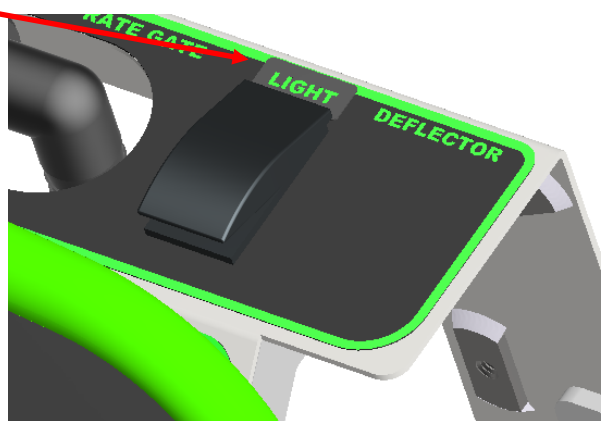
- Use an exacto or utility knife & cut the decal to expose the inside switch mounting position.



- Attach the rocker switch (E40202) in the opening.



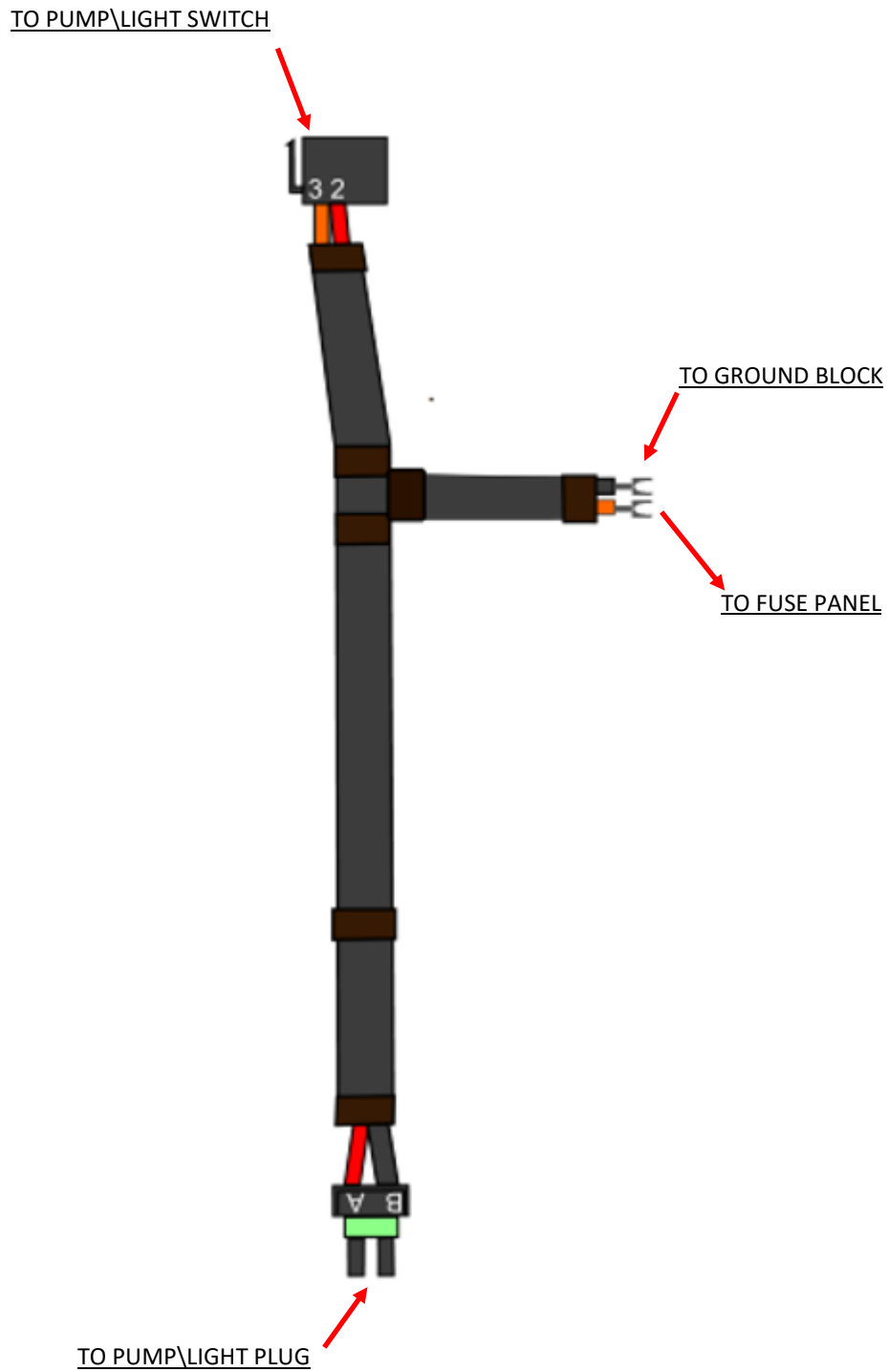
- Apply light decal (C60359) above the switch.



# LED LIGHT BAR ATTACHMENT INSTRUCTIONS

## 7 GALLON\LED LIGHT BAR ATTACHMENT HARNESS

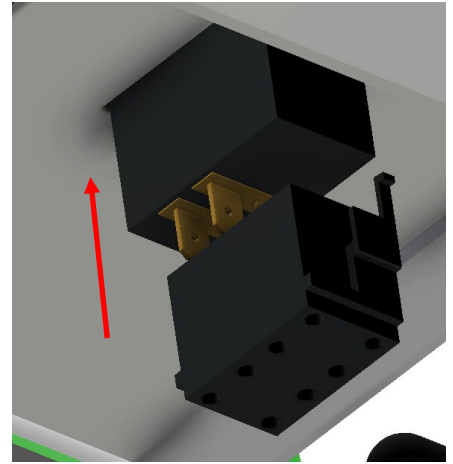
PART NO. - SG-7G1-2



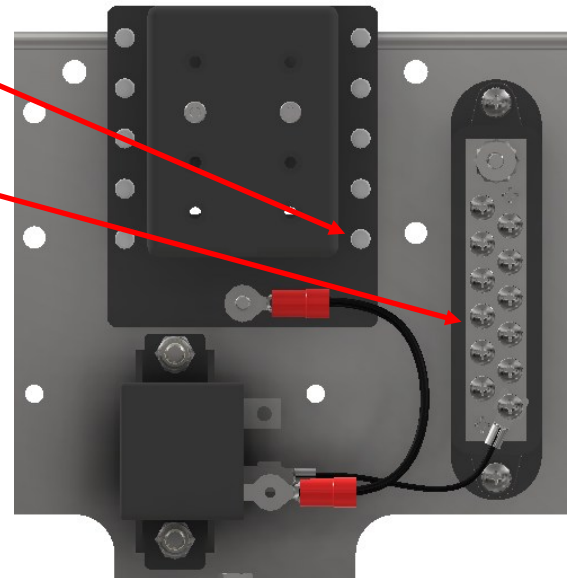
## LED LIGHT BAR ATTACHMENT INSTRUCTIONS

**STEP 2:**

- Connect the light harness to the light switch.



- Connect the power wire to port 10 on the fuse block.
- Connect the ground wire to the ground block.
- Attach the proper fuses according to the chart Fig. 1.
- Attach the clear cover to the fuse block.



PORT	SG 52 SERIES FUSE BLOCK		PORT
1	SPRAY PUMP 1 25 AMP	USB PORT 5 AMP	6
2	SPRAY PUMP 2 25 AMP	SPRAY PUMP SWITCH 25 AMP	7
3	7 GAL. LEFT 25 AMP	SPEEDOMETER 1 AMP	8
4	7 GAL. RIGHT 25 AMP	FOAM MARKER 25 AMP	9
5	HSA 10 AMP	HEADLIGHT 10 AMP	10

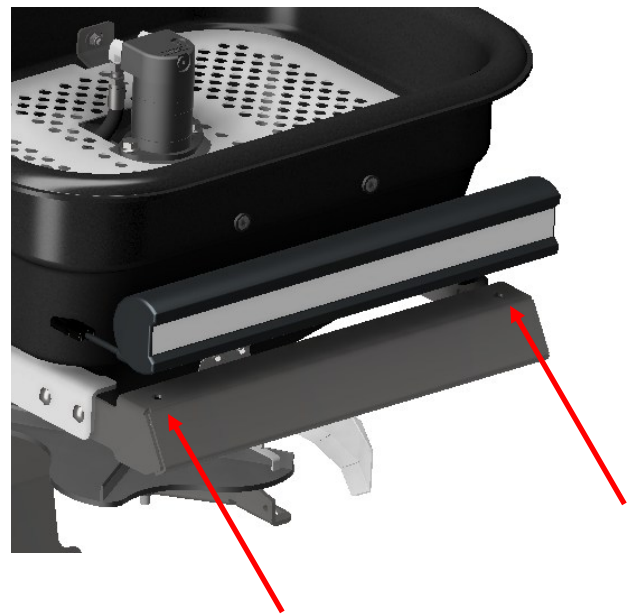
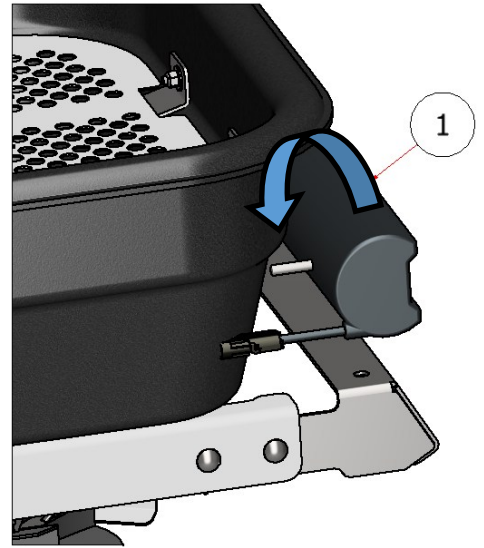
Fig. 1

## LED LIGHT BAR ATTACHMENT INSTRUCTIONS

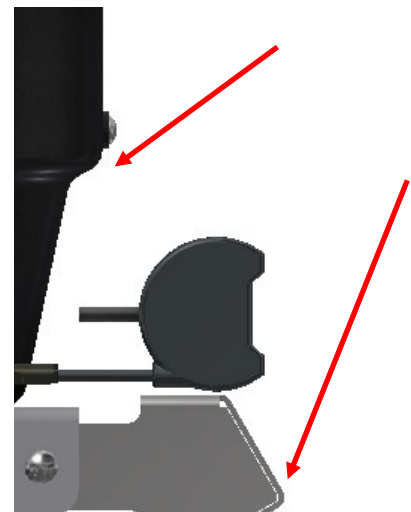
### STEP 3:

#### HOPPER MOUNTING (PART NO. A10009)

- Rotate the mounting brackets on the light so the threaded post face down.
- Attach the led light bar to the hopper bumper.



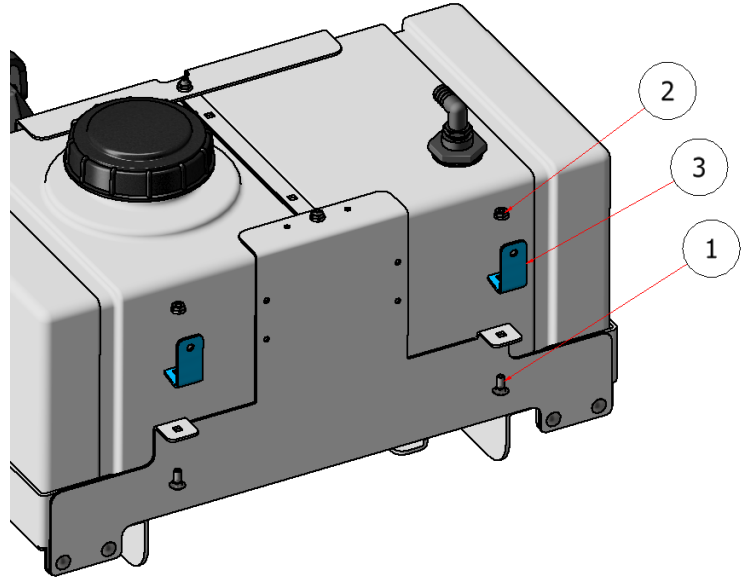
*NOTE: Make sure the light isn't in front of the bumper & dose not interfere with the hopper.*



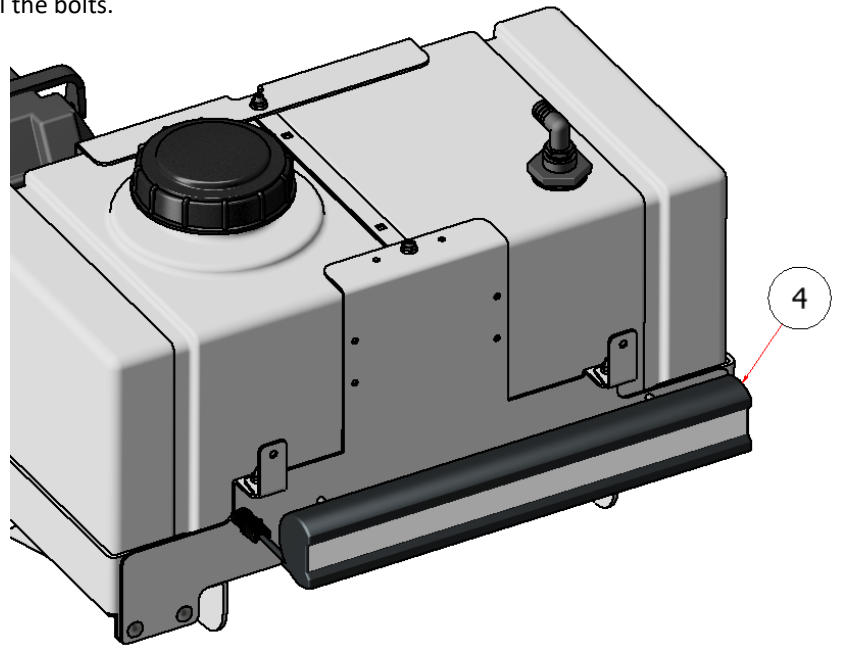
## LED LIGHT BAR ATTACHMENT INSTRUCTIONS

### ALL LIQUID MOUNTING 20 GALLON (PART NO. A10009-20)

- Attach the mounting brackets to the tabs on the tank frame.  
*Leave the bolts loose.*



- Attach the light bar to the bracket & tighten all the bolts.



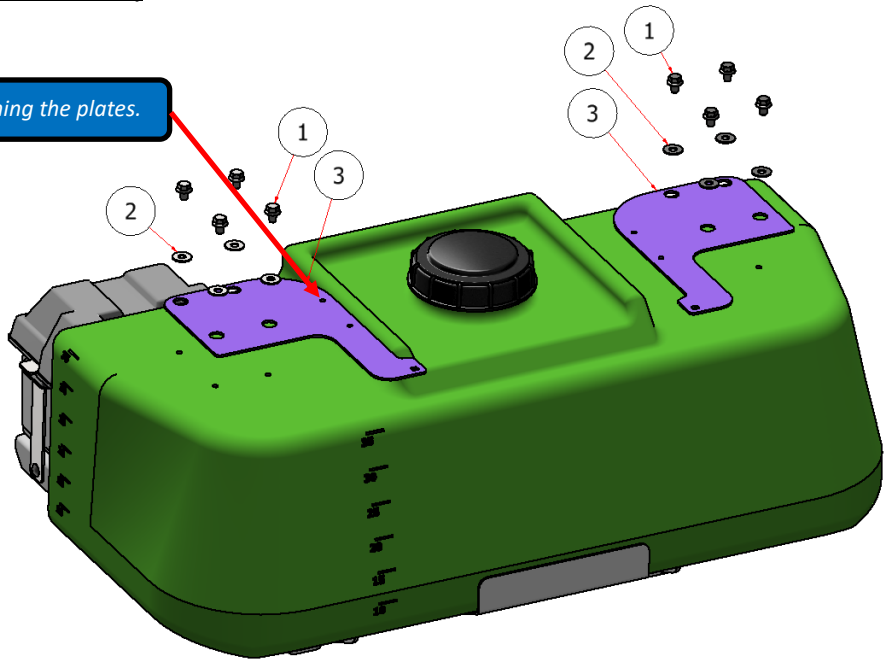
PARTS LIST			
ITEM	QTY	PART NUMBER	DESCRIPTION
1	2	CB-51634	CARRIAGE BOLT, SS - 5/16-18 x 3/4
2	2	HFNCS-516S	HEX FLANGE NUT, SS - 5/16
3	2	R22-228	BRACKET, LED LIGHT BAR
4	1	E40210	LIGHT BAR, LED

## LED LIGHT BAR ATTACHMENT INSTRUCTIONS

### ALL LIQUID MOUNTING 35 GALLON (PART NO. A10009-35)

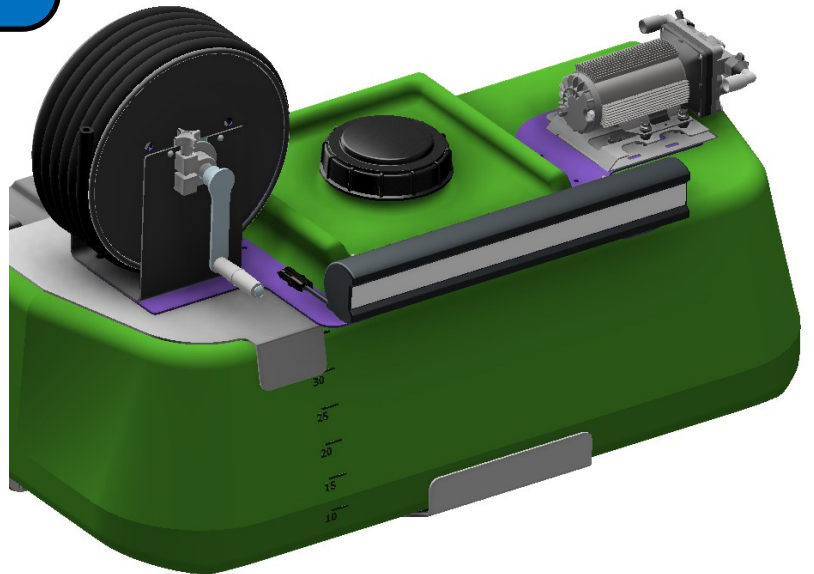
- Attach the plates to the top of the tank.

**NOTE:** Feed zip-ties through the holes before attaching the plates.



**NOTE:** If equipped with independent hose reel:

- The right bracket mounts on top of the hose reel bracket as shown.
- Use 3/8" washers under the left light bracket. (Fig. 2)



### PARTS LIST

ITEM	QTY	PART NUMBER	DESCRIPTION
1	8	HFSSC-3812	HEX FLANGE BOLT, 3/8 X 1/2
2	12	FWSS-38	FLAT WASHER, SS - 3/8
3	2	R22-229	MOUNTING BRACKET, LED LIGHT BAR, 35 GAL.

## LED LIGHT BAR ATTACHMENT INSTRUCTIONS

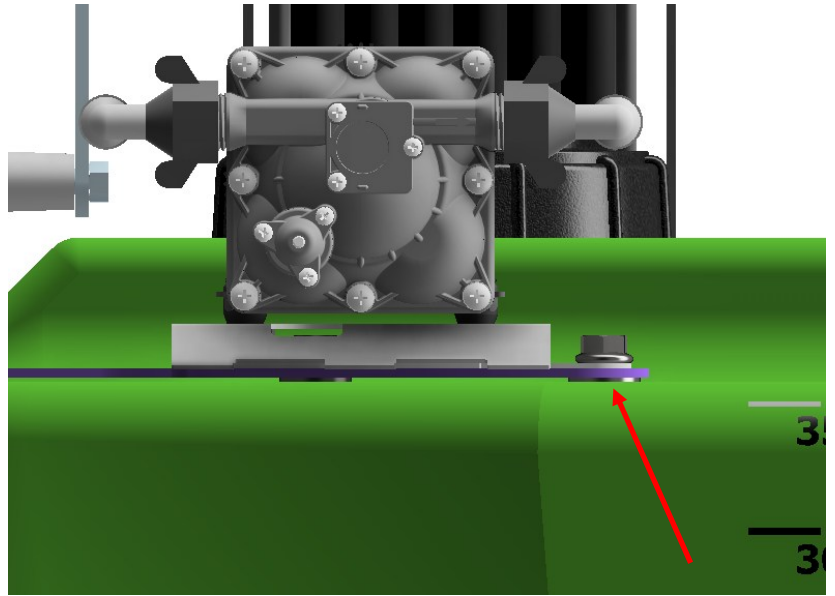
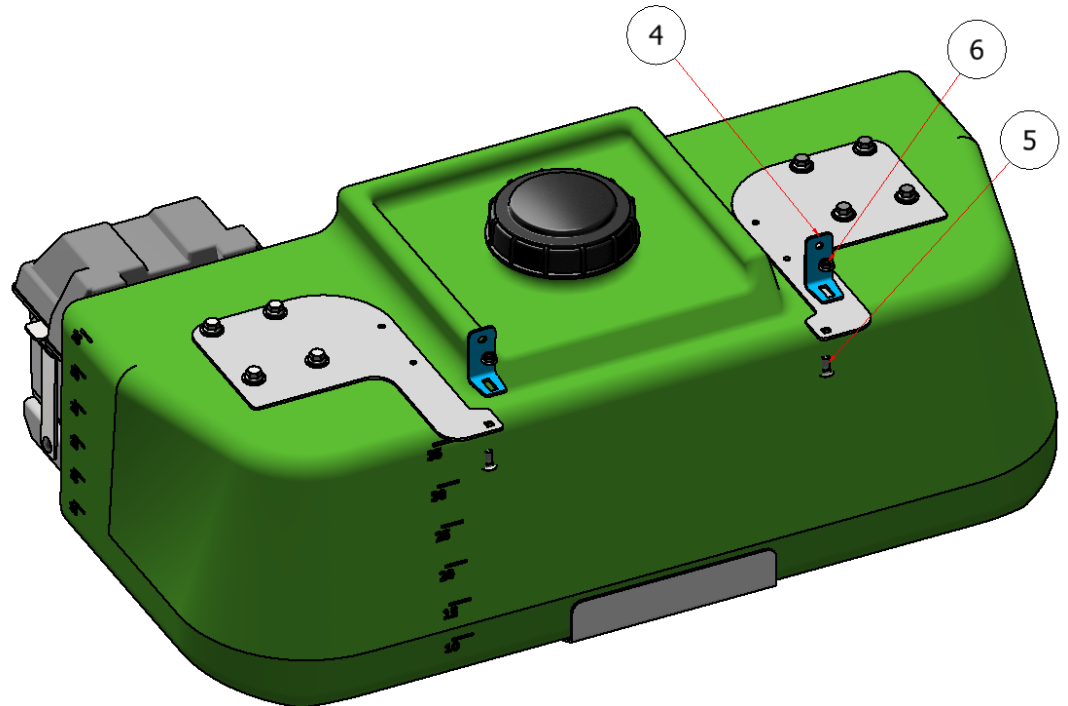


Fig. 2

- Attach the brackets to the plates. *Leave the bolts loose.*

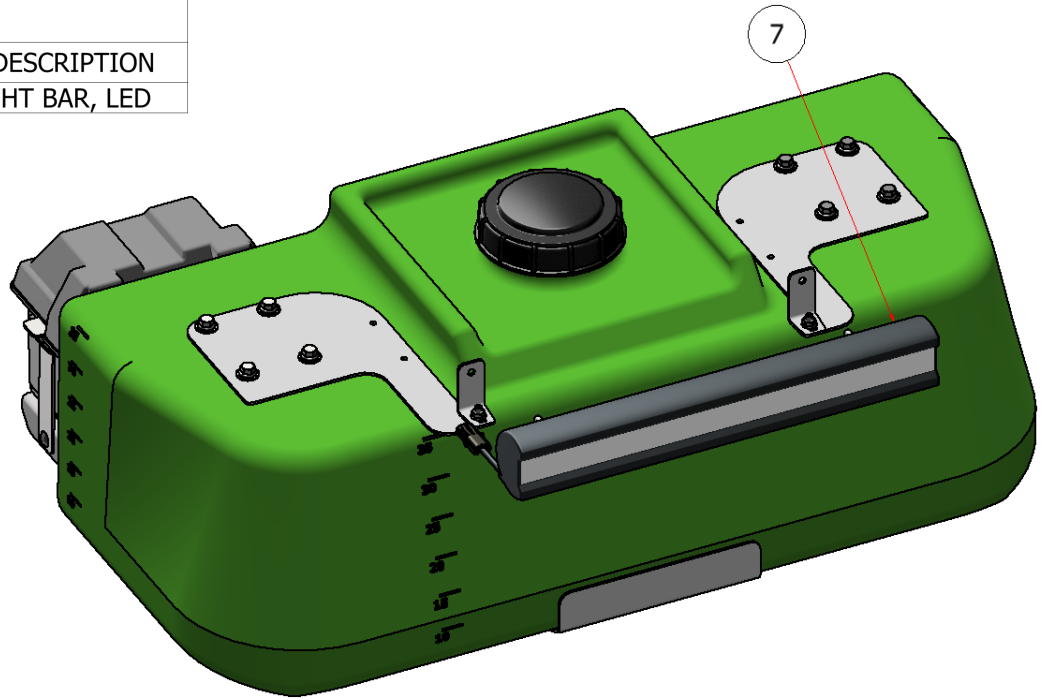


PARTS LIST			
ITEM	QTY	PART NUMBER	DESCRIPTION
4	2	R22-228	MOUNTING BRACKET, LED LIGHT BAR
5	2	CB-51634	CARRIAGE BOLT, SS - 5/16-18 x 3/4
6	2	HFNCS-516S	HEX FLANGE NUT, SS - 5/16

## LED LIGHT BAR ATTACHMENT INSTRUCTIONS

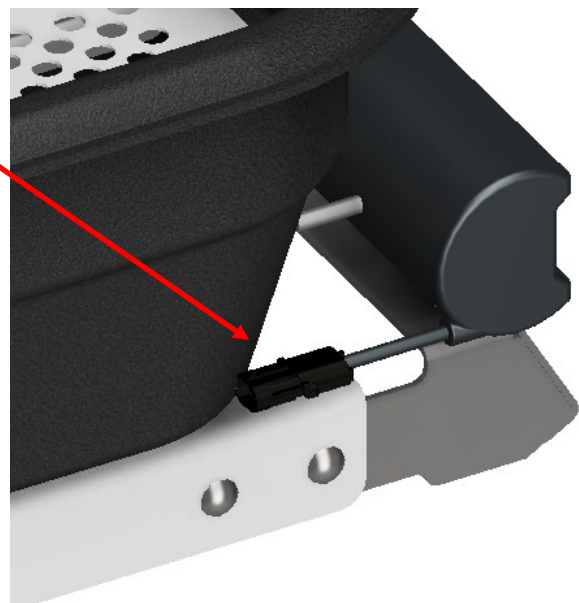
- Attach the light bar to the brackets & tighten all the bolts.

PARTS LIST			
ITEM	QTY	PART NUMBER	DESCRIPTION
7	1	E40210	LIGHT BAR, LED



### STEP 4:

- Connect the harness to the plug on the light bar.
- Use zip-ties for cable management.









Steel Green Mfg.  
 824 S State Road 39  
 Lebanon, IN 46052  
 (765)-481-2890  
[www.steelgreenmfg.com](http://www.steelgreenmfg.com)

MANUAL PART NO.	MANUAL REV.	DESCRIPTION	KIT PART NO.
SGM-046	1	LED LIGHT BAR KIT5	A10009 - STANDARD A10009-20 (20 GALLON) A10009-35 (35 GALLON)