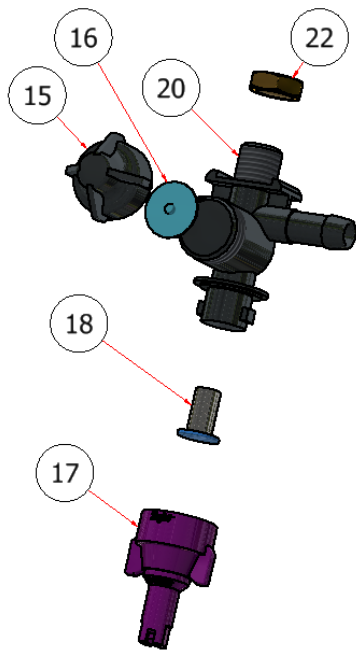


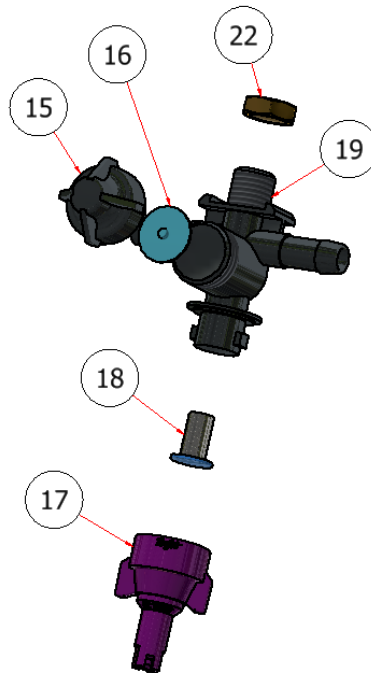
SG SERIES SPRAY BOOM

DRAWING NO. SGEV-058 REV. 4



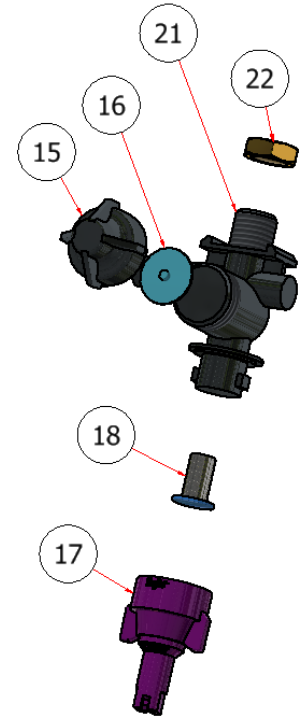
LEFT NOZZLE ASSY.

SG52 QTY. (2)
SG36,42,46 QTY. (2)



CENTER NOZZLE ASSY.

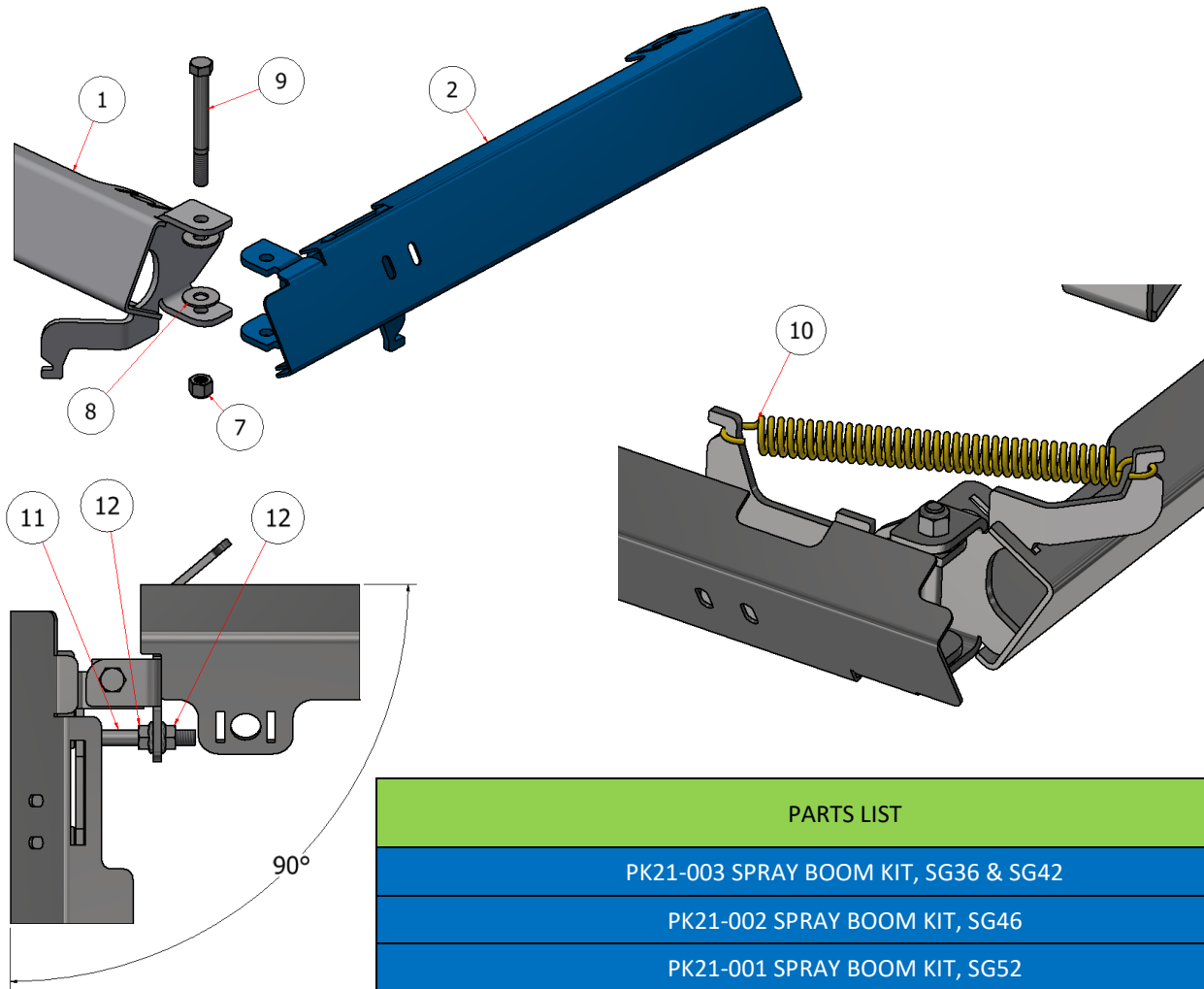
QTY. (1)



RIGHT NOZZLE ASSY.

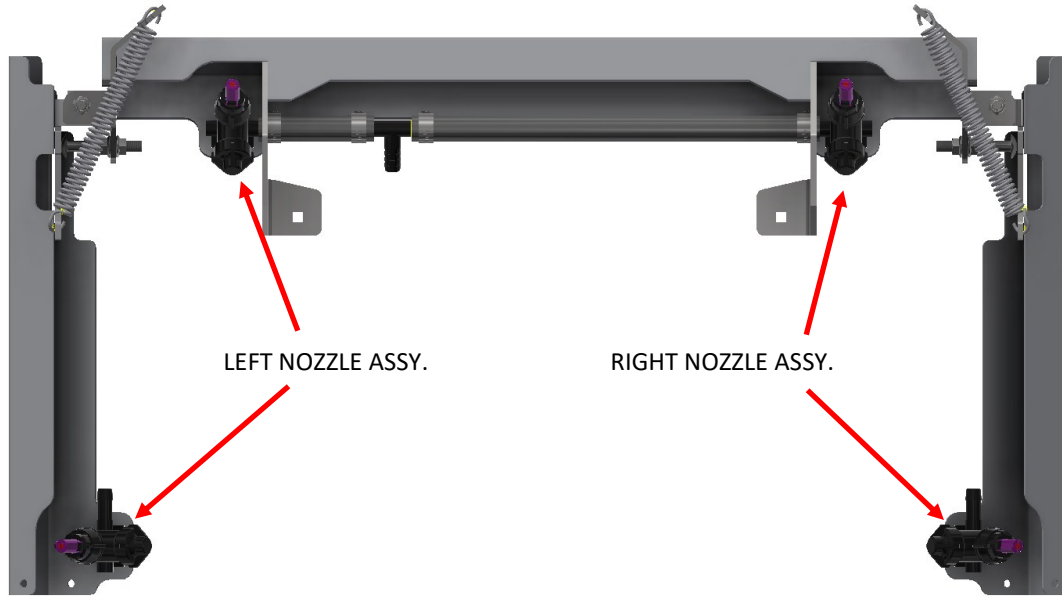
QTY. (2)
 QTY. (2)

PARTS LIST			
ITEM	QTY	PART NUMBER	TITLE
15	5	S51113	NOZZLE BODY, CAP
16	5	S51112	DIAPHRAM, SPRAY NOZZLE
17	5	S50031	SPRAY TIP, LAVENDER
18	5	S51281	STRAINER, 50 MESH
19	1	S51011	NOZZLE BODY, CENTER
20	2	S51010	NOZZLE BODY, LEFT
21	2	S51012	NOZZLE BODY, RIGHT
22	5	S51010-N	NOZZLE BODY NUT, BRASS



PARTS LIST			
PK21-003 SPRAY BOOM KIT, SG36 & SG42			
PK21-002 SPRAY BOOM KIT, SG46			
PK21-001 SPRAY BOOM KIT, SG52			
ITEM	QTY	PART NUMBER	DESCRIPTION
1	1	PK21-003-C	CENTER SECTION, SPRAY BOOM, SG36 & SG42
		PK21-002-C	CENTER SECTION, SPRAY BOOM, SG46
		PK21-001-C	CENTER SECTION, SPRAY BOOM, SG52
2	1	PK21-003-L	LEFT WING, SPRAY BOOM, SG36 & SG42
		PK21-002-L	LEFT WING, SPRAY BOOM, SG46
		PK21-001-L	LEFT WING, SPRAY BOOM, SG52
3	1	PK21-003-R	RIGHT WING, SPRAY BOOM, SG36 & SG42
		PK21-002-R	RIGHT WING, SPRAY BOOM, SG46
		PK21-001-R	RIGHT WING, SPRAY BOOM, SG52
7	2	SSNNC-38	NYLOCK, SS - 3/8-16
8	4	FWSS-38	FLAT WASHER, SS - 3/8
9	2	HHSC5-38334	HEX BOLT, SS - 3/8-16 X 3-3/4
10	2	C60112	SPRING, SPRAY BOOM

SG36, 42, & 46



SG52

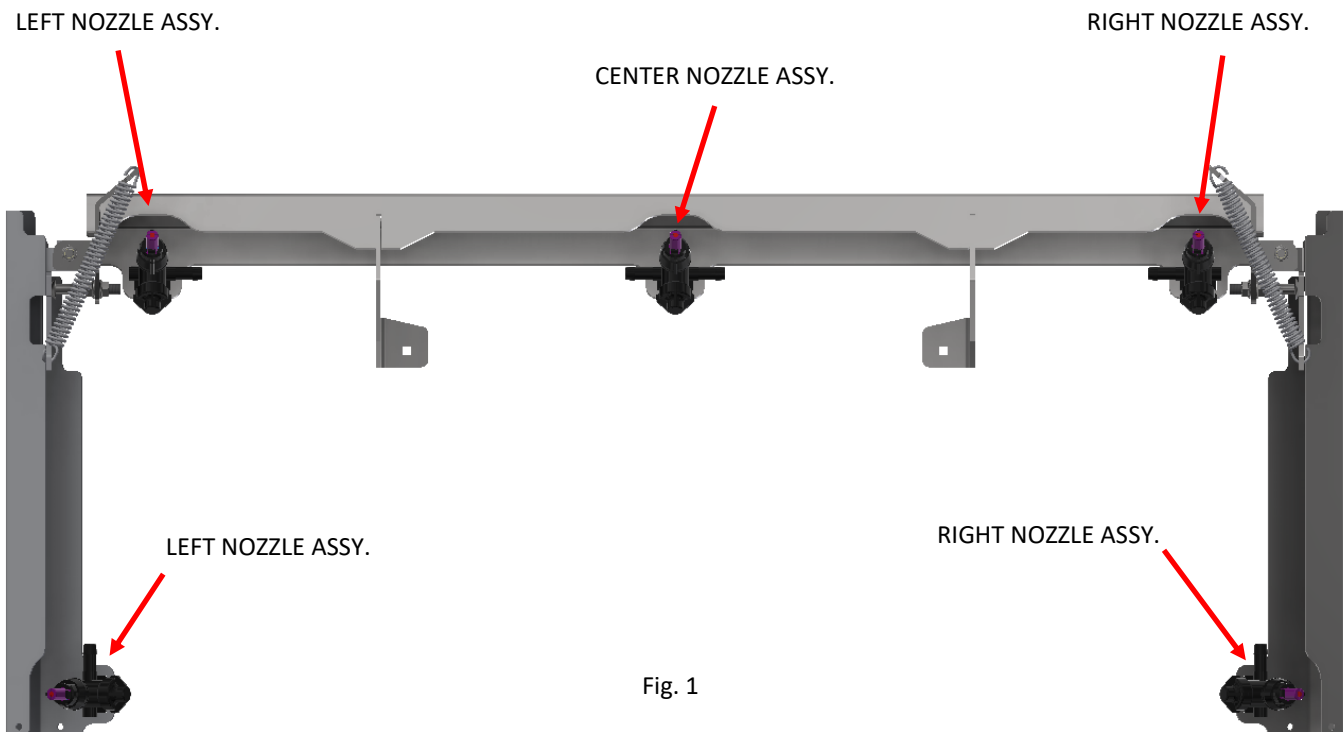
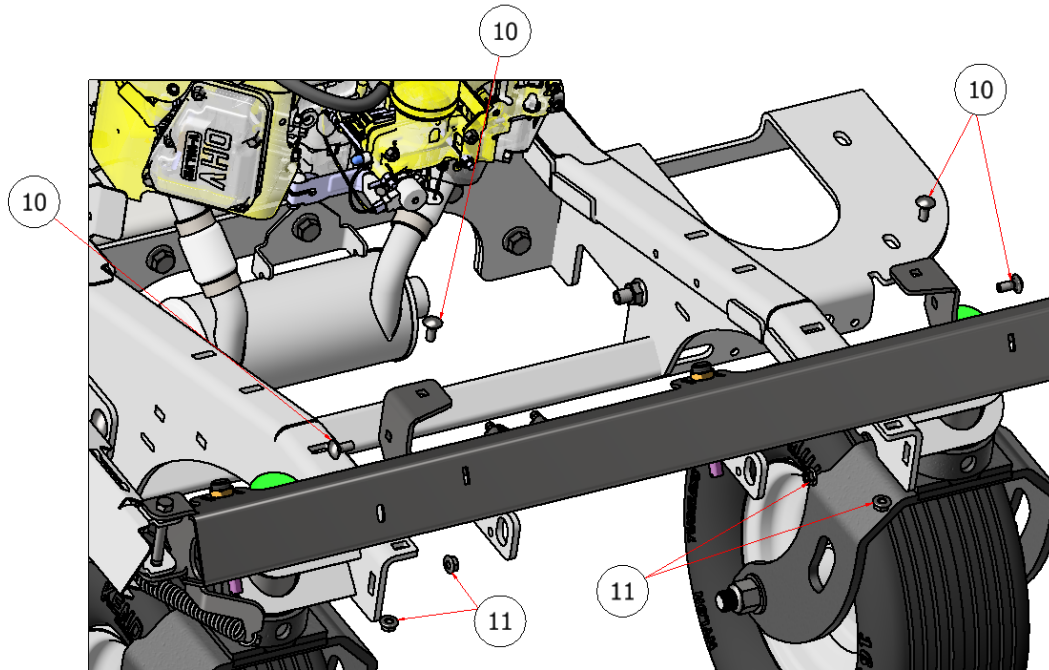


Fig. 1



PARTS LIST			
ITEM	QTY	PART NUMBER	DESCRIPTION
10	4	CB-51634	CARRIAGE BOLT, SS - 5/16-18 x 3/4
11	4	HFNC5-516S	HEX FLANGE NUT, SS - 5/16

NOTE: Quantities in the parts list above are total per machine. Please note the quantities used in the sub-assemblies.