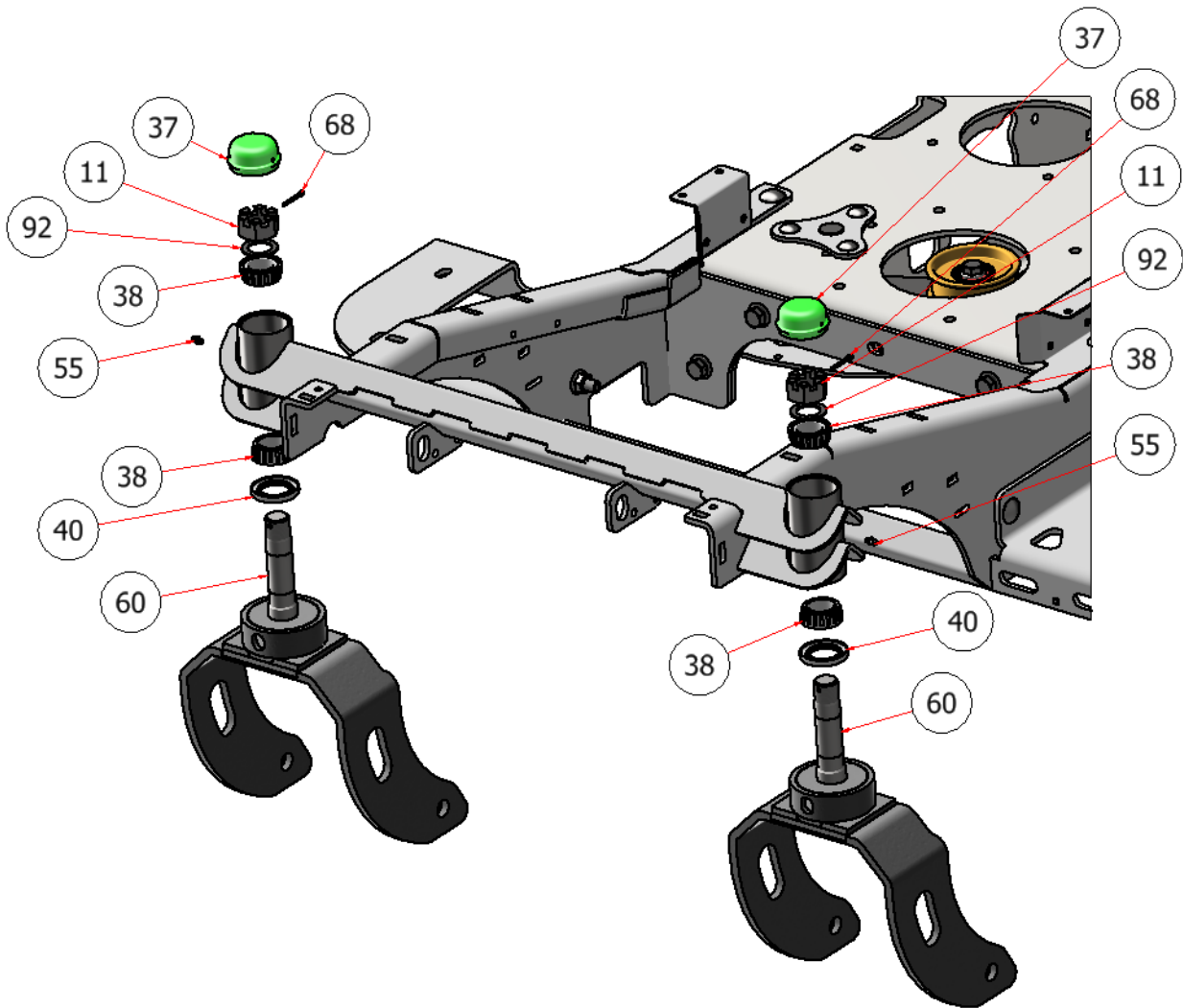


# YOKE & FRONT TIRE

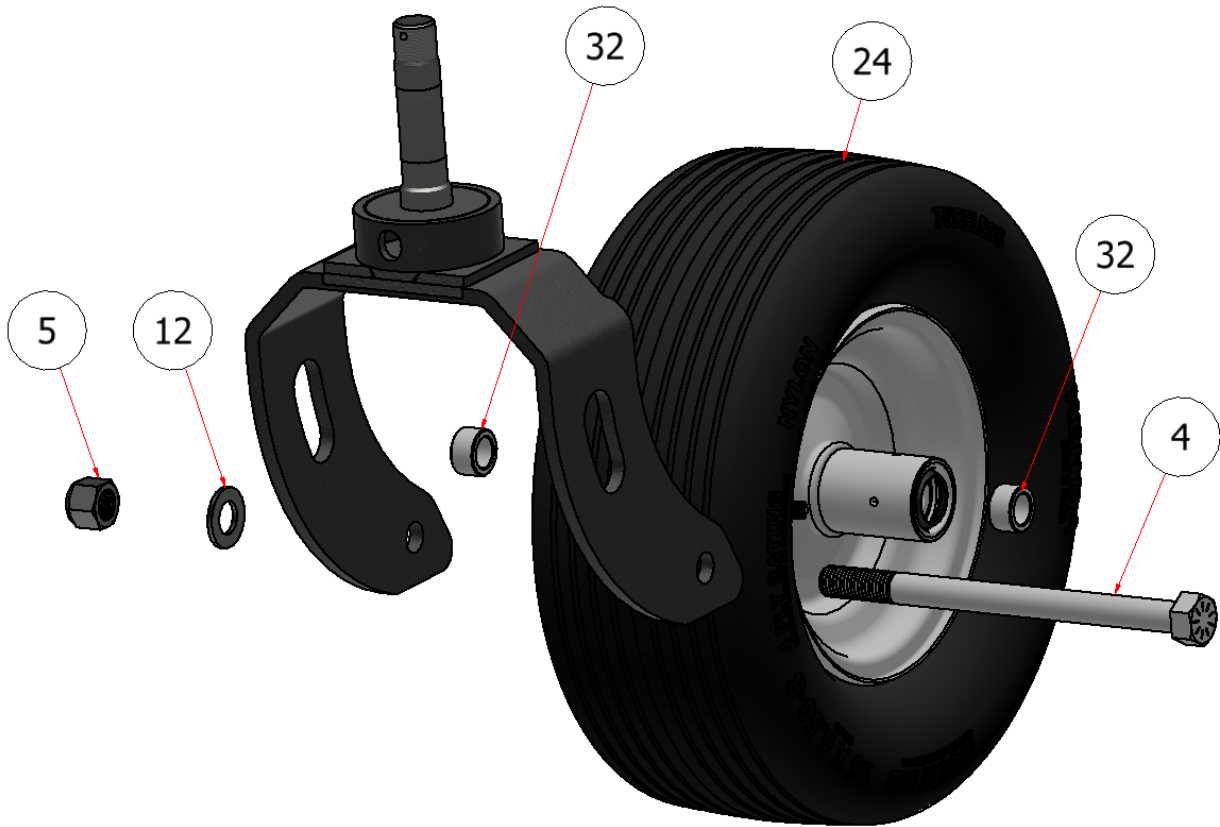
DRAWING NO. SGEV-004 REV. 3



PARTS LIST			
ITEM	QTY	PART NUMBER	TITLE
11	2	T90313	SLOTTED HEX NUT, 1"
37	2	T90306	PLASTIC DUST CAP
38	4	T90308	BEARING, SPINDLE
40	2	T90302	SEAL, SPINDLE
55	2	6F-316D	GREASE FITTING
60	2	W21-144	YOKE, FRONT TIRE
68	2	CPSS 532X112	COTTER PIN, STEEL
92	2	SHIM-1	FLAT WASHER, SS - 1

**NOTE:** Quantities in the parts list above are total per machine. Please note the quantities used in the sub-assemblies.

## YOKE & FRONT TIRE



PARTS LIST			
ITEM	QTY	PART NUMBER	DESCRIPTION
4	2	HHCS5-3410	AXLE BOLT - 3/4-10 x 10
5	2	SSNNC-34	NYLOCK, SS - 3/4-10
12	2	FWSS-34	FLAT WASHER, SS - 3/4
24	2	T90019	FRONT TIRE, 16" X 6-1/2" X 8"
32	4	T90315	BUSHING, FRONT WHEEL

**NOTE:** Quantities in the parts list above are total per machine. Please note the quantities used in the sub-assemblies.