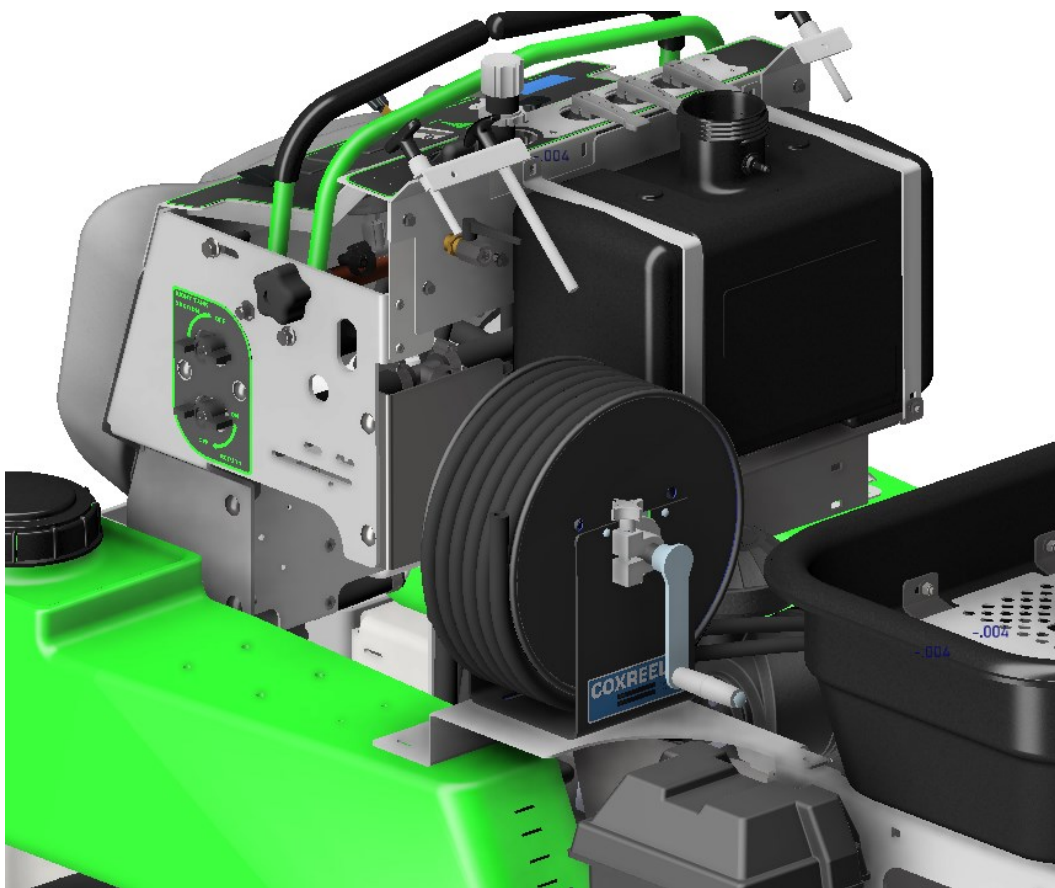


STEELGREEN MANUFACTURING™

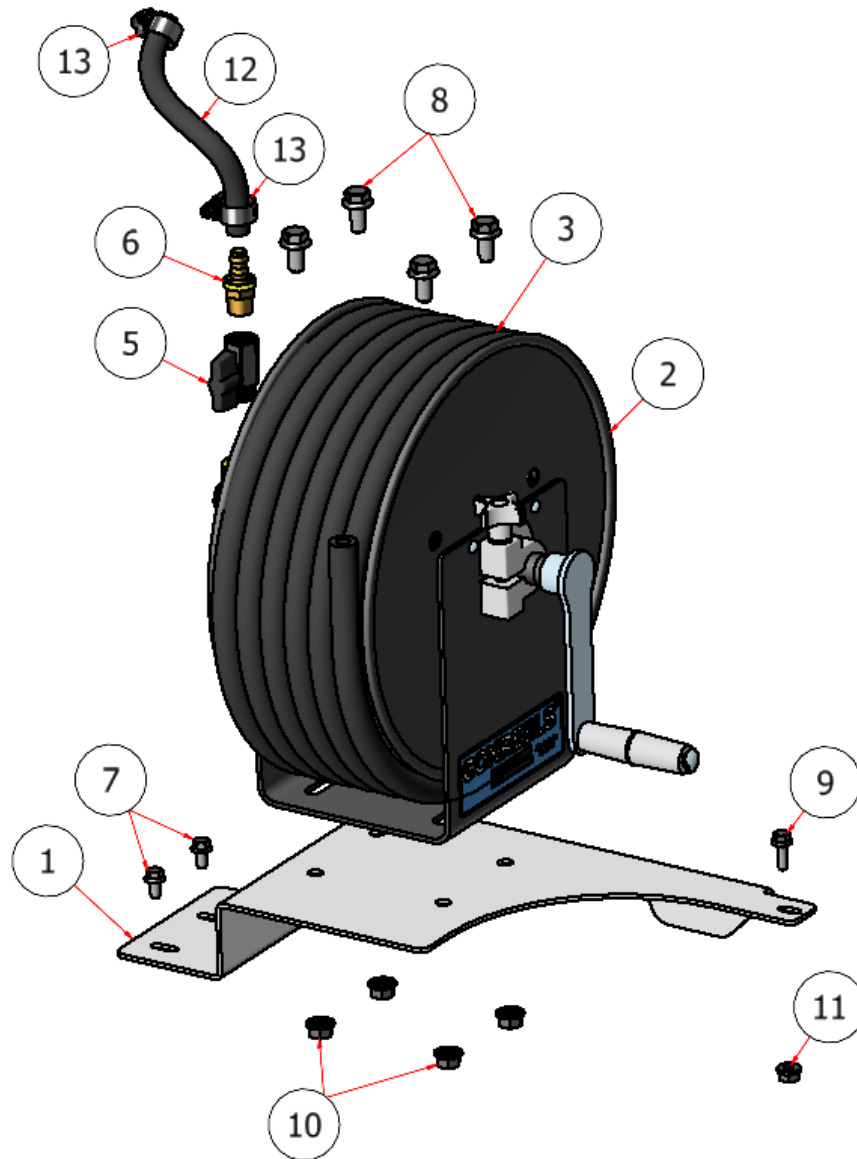
INSTRUCTION MANUAL

SG36 HOSE REEL ATTACHMENT

Models: SG36



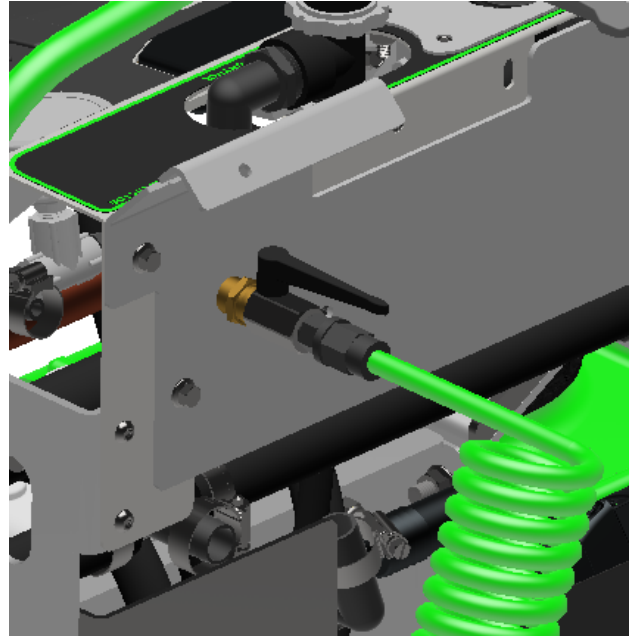
SG36 HOSE REEL OPTION EXPLODED VIEW



PARTS LIST HOSE REEL KIT P10039			
ITEM	QTY	PART NUMBER	TITLE
1	1	R22-072	SG36 HOSE REEL CENTER MOUNT RIGHT
2	1	S53001	HOSE REEL
3	1	S55006	HOSE, 75FT., HOSE REEL
5	1	S512777	BALL VALVE, 3/8
6	1	H84023	FITTING, HOSE REEL, 3/8 BARB, BRASS
7	2	HFSSC-145	HEX FLANGE BOLT, SS - 1/4-20 x 1/2
8	4	HFSSC-3875	HEX BOLT, 3/8 X 3/4
9	1	HFSSC-1475	HEX FLANGE BOLT, 1/4 X 3/4
10	4	HFNCS-375S	HEX FLANGE NUT, 3/8
11	1	HFNCS-25S	HEX FLANGE NUT, 1/4
12	1	S55002	HOSE, 3/8"
13	2	MS4	HOSE CLAMP, 3/8

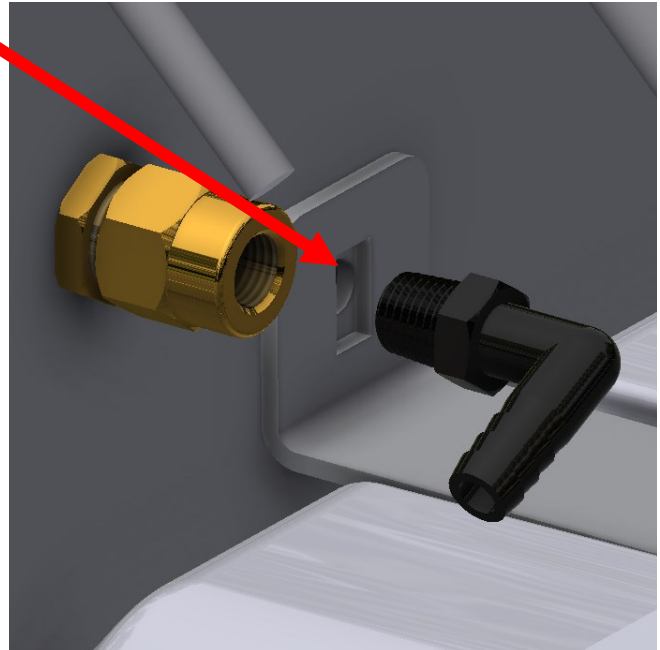
SG36 HOSE REEL ASSEMBLY INSTRUCTIONS

STEP 1: Disconnect the coil hose and ball valve.



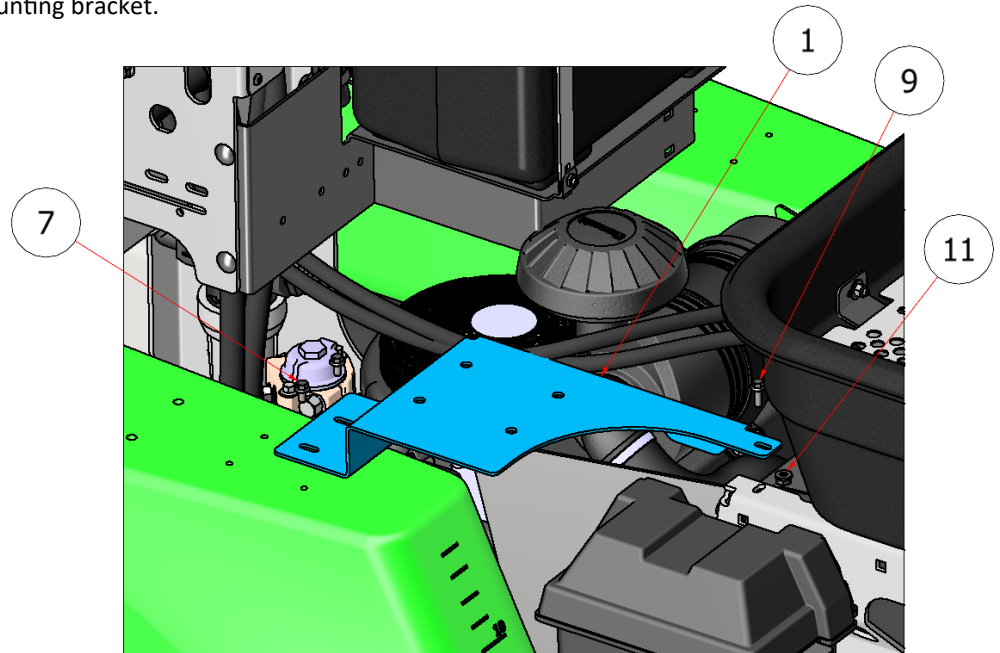
STEP 2: Install the barb fitting (S52021) to the bulkhead fitting above the fuel tank.

NOTE: Use pipe tape on the threads.



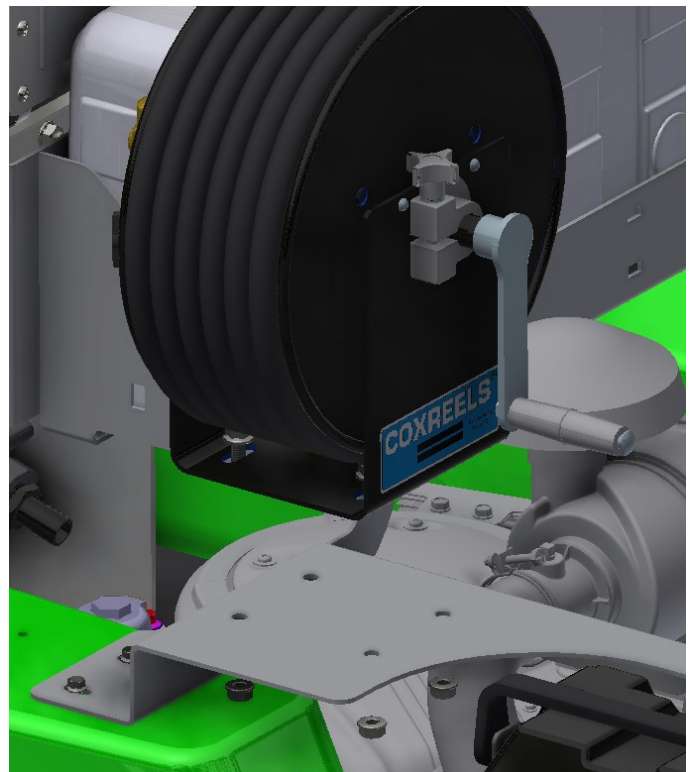
SG36 HOSE REEL ASSEMBLY INSTRUCTIONS

STEP 3: Attach the hose reel mounting bracket.



PARTS LIST			
ITEM	QTY	PART NUMBER	TITLE
1	1	R22-072	SG36 HOSE REEL CENTER MOUNT RIGHT
7	2	HFSSC-145	HEX FLANGE BOLT, SS - 1/4-20 x 1/2
9	1	HFSSC-1475	HEX FLANGE BOLT, 1/4 X 3/4
11	1	HFNCS-25S	HEX FLANGE NUT, 1/4

STEP 4: Attach the hose reel to the mounting bracket (HFSSC-3875) and (HFNCS-38S).



SG36 HOSE REEL ASSEMBLY INSTRUCTIONS

STEP 5: Attach the 3/8" hose (S55005) to the hose barb fittings and securely fasten with (2) 3/8" hose clamps (MS4).



NOTES

NOTES



Steel Green Mfg.
824 S State Road 39
Lebanon, IN 46052
(765)-481-2890
www.steelgreenmfg.com

MANUAL PART NO.	MANUAL REV.	DESCRIPTION	KIT PART NO.
SGM-038	C	SG36 HOSE REEL OPTION	P10039