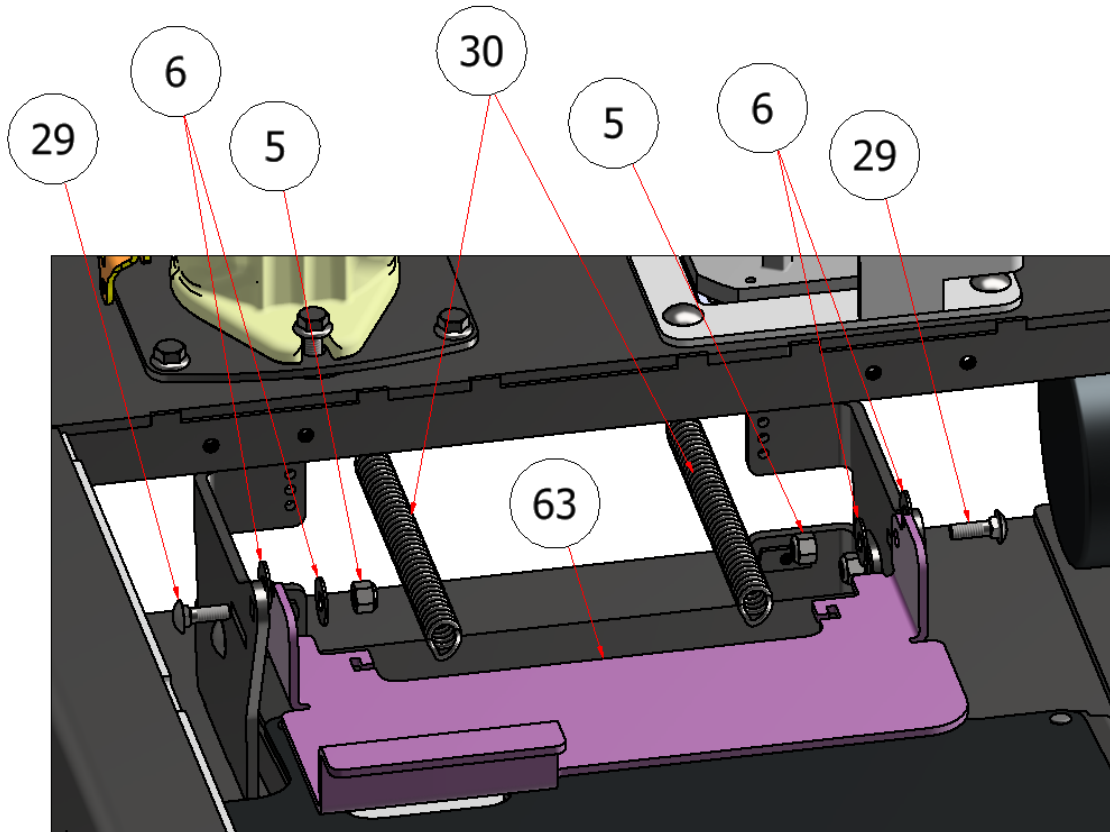


SGXL PARKING BRAKE

DRAWING NO. SGXLEV-031 REV. 3

STEELGREEN
MANUFACTURING

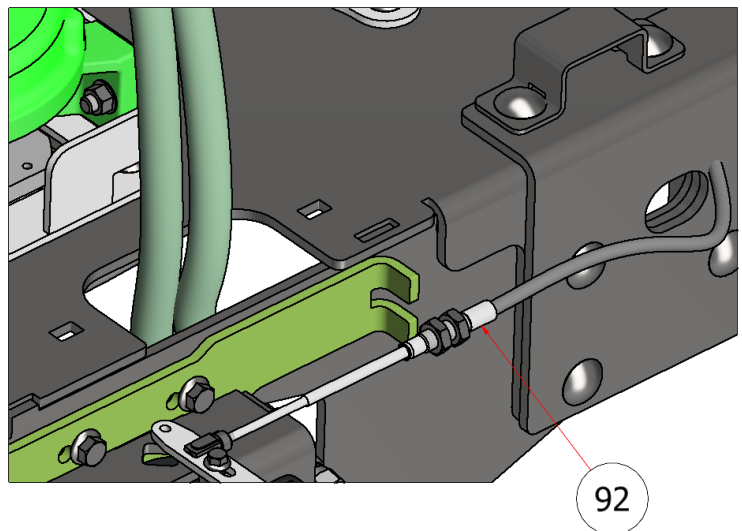
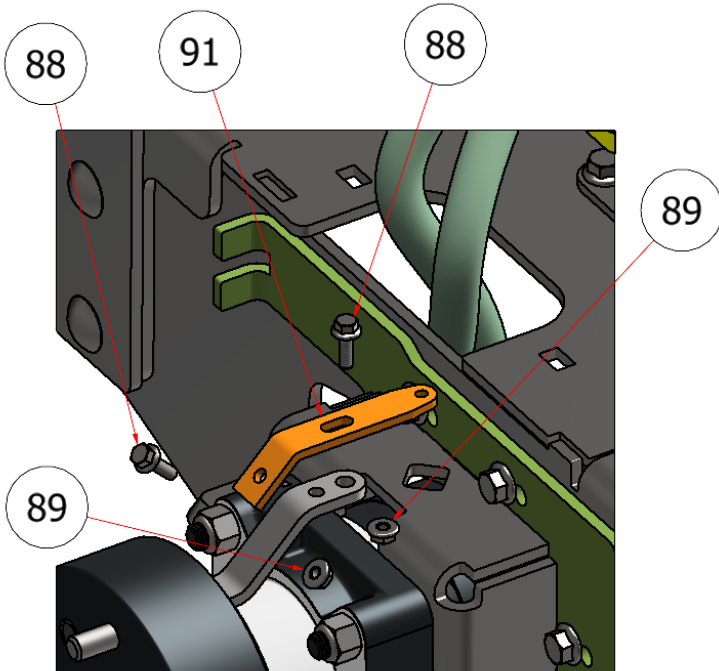


PARTS LIST

ITEM	QTY	PART NUMBER	TITLE
5	20	SSNNC-38	NYLOCK, SS - 3/8-16
6	24	FWSS-38	FLAT WASHER, SS - 3/8
29	2	CB-5161SS	CARRIAGE BOLT, SS - 5/16-18 x 1
30	2	C60112	SPRING, IDLER
63	1	R23-218	SS SGXL FOOT BRAKE PLATE

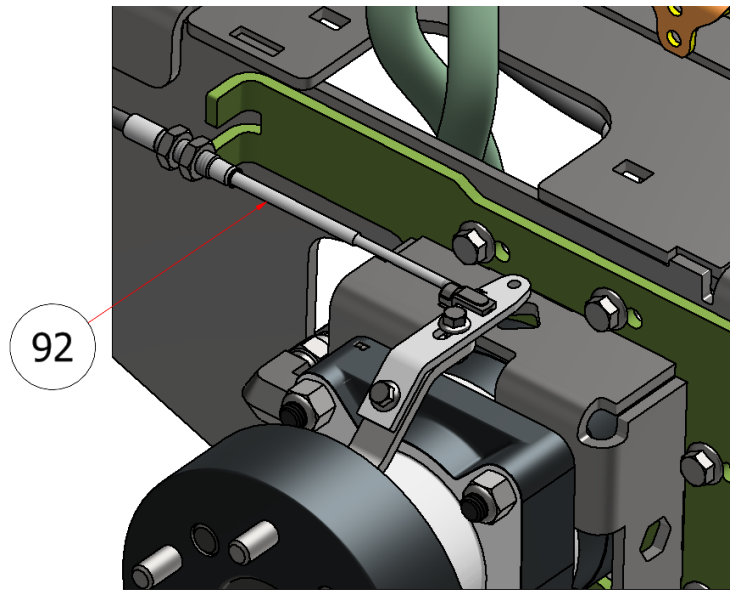
NOTE: Quantities in the parts list above are total per machine. Please note the quantities used in the sub-assemblies.

SGXL PARKING BRAKE



PARTS LIST			
ITEM	QTY	PART NUMBER	TITLE
88	4	HFSSC-1475	HEX FLANGE BOLT, 1/4 X 3/4
89	4	HFNCS-14SS	HEX FLANGE NUT, 1/4-20
91	2	R23-229	SS SGXL BRAKE ARM
92	4	D71018	CABLE, PARKING BRAKE

NOTE: Quantities in the parts list above are total per machine. Please note the quantities used in the sub-assemblies.



PARTS LIST			
ITEM	QTY	PART NUMBER	TITLE
92	4	D71018	CABLE, PARKING BRAKE

NOTE: Quantities in the parts list above are total per machine. Please note the quantities used in the sub-assemblies.