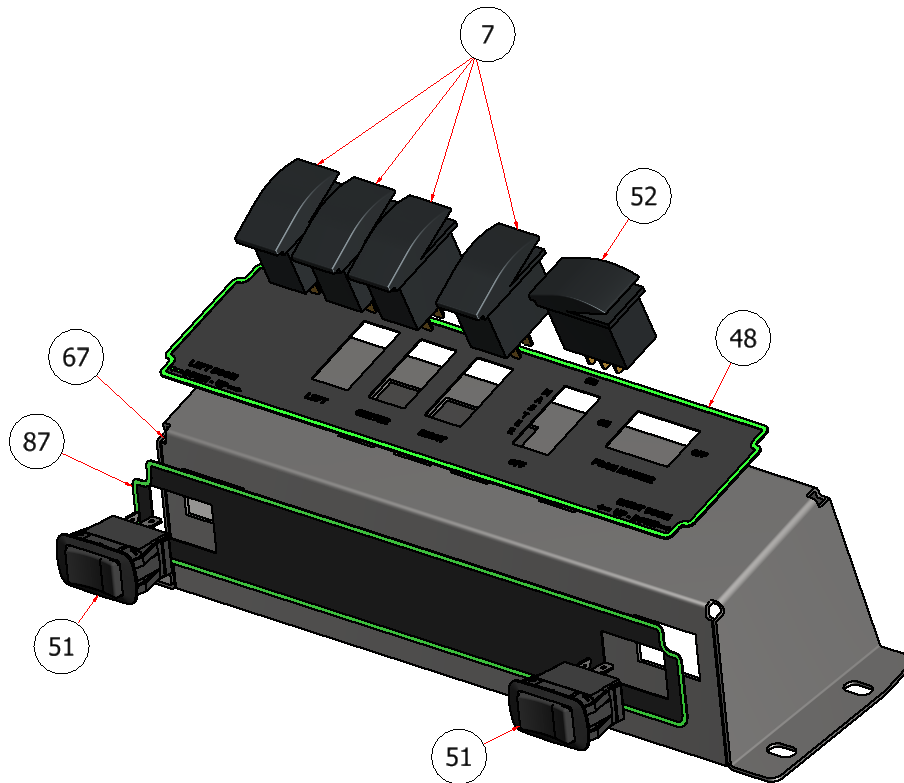


SGXL UPPER DASH PANEL

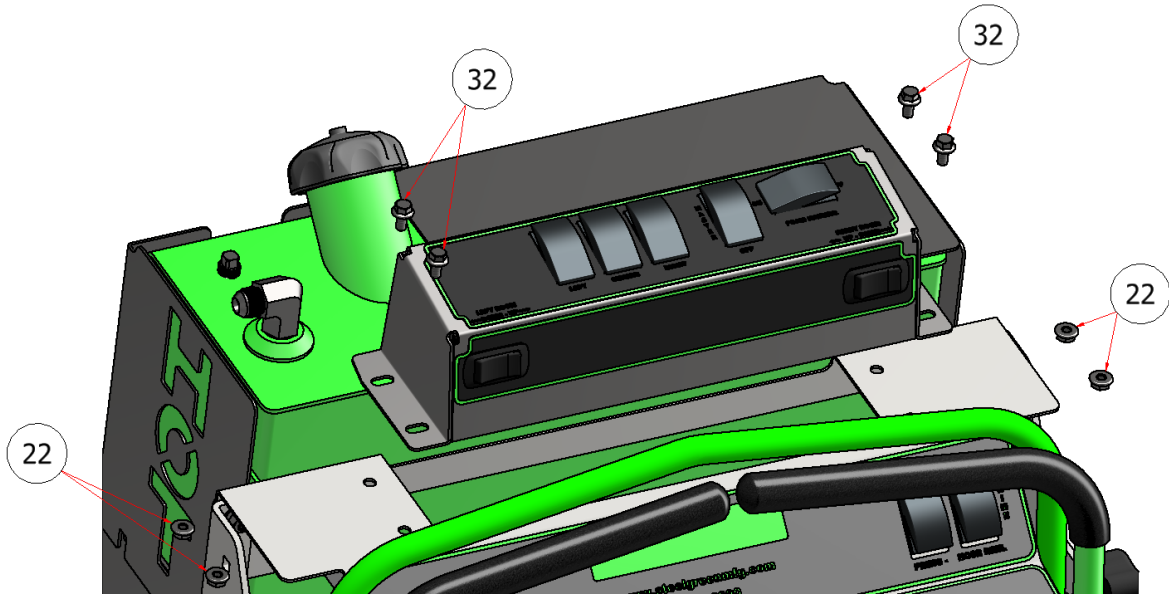
DRAWING NO. SGXLEV-004 REV. 3



PARTS LIST				
ITEM	QTY	PART NUMBER	TITLE	
7	7	E40202	2-WAY ROCKER SWITCH, ON OFF	
48	1	C60430	DECAL, UPPER DASH, SGXL	
51	2	RS-57014-3	3-WAY ROCKER SWITCH, MOMENTARY OFF MOMENTARY	
52	2	RS-6P	3-WAY ROCKER SWITCH, ON OFF ON	
67	1	R23-326	SGXL BOOM SWITCHMOUNT	
87	1	GCMD-011	DECAL, UPPER DASH, SGXL	

NOTE: Quantities in the parts list above are total per machine. Please note the quantities used in the sub-assemblies.

SGXL UPPER DASH PANEL



PARTS LIST			
ITEM	QTY	PART NUMBER	TITLE
22	24	HFNCS-14S	HEX NUT, 1/4
32	6	HFSSC-145	HEX FLANGE BOLT, SS - 1/4-20 x 1/2

NOTE: Quantities in the parts list above are total per machine. Please note the quantities used in the sub-assemblies.