

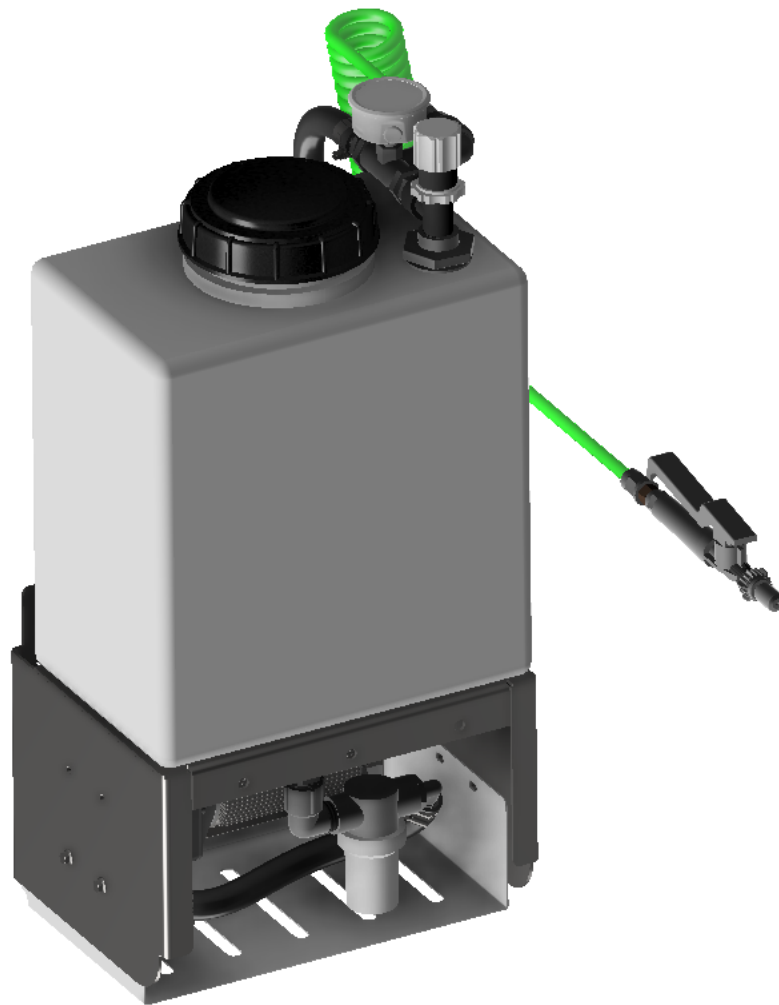
STEELGREEN[™]

MANUFACTURING

INSTRUCTION MANUAL

SG 7 GAL. INDEPENDENT SPRAYER ATTACHMENT

Models: SG46, SG52, & SG54



7 GAL. INDEPENDENT SPRAYER ASSEMBLY INSTRUCTIONS

STEP 1: Disconnect the battery, *ground* first and then *power* wire.



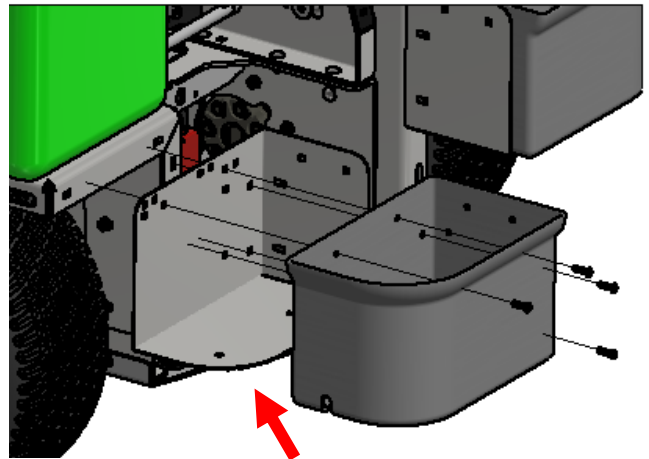
GROUND

POWER

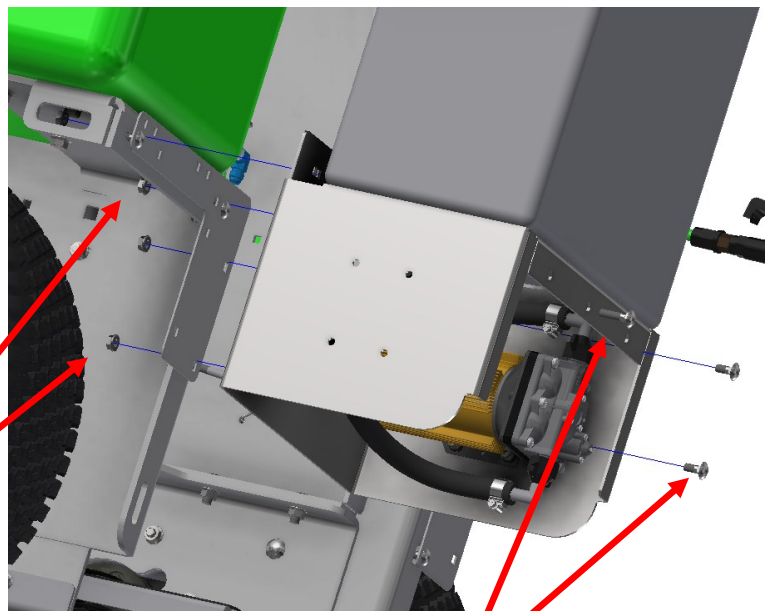
NOTICE

Steps 2 & 3 instructions are the same for the right and left side, if both left & right side tanks are being installed.

STEP 2: Remove existing storage container and support bracket from the frame.



STEP 3: Install the independent sprayer to the frame as shown.



Hex nuts HFNCS-516S qty. (4)

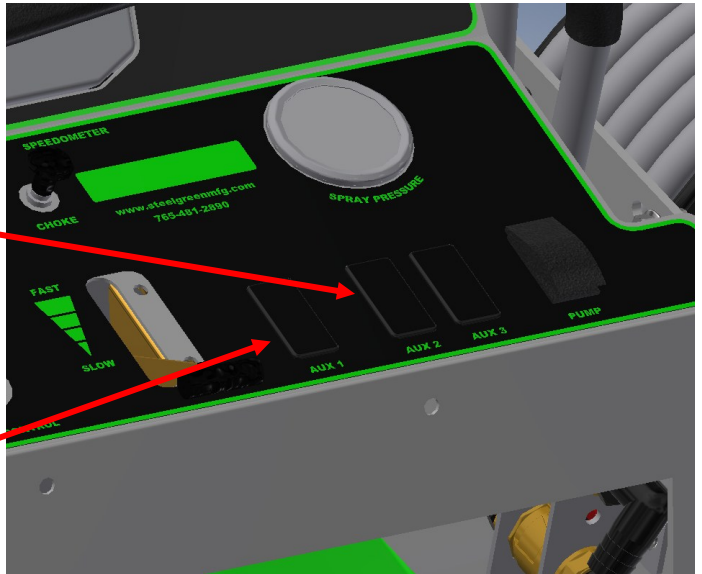
Carriage bolts CB-51634 qty. (4)

7 GAL. INDEPENDENT SPRAYER ASSEMBLY INSTRUCTIONS

STEP 4: Use an exacto or utility knife and cut out the appropriate "Aux" opening in the panel.

RIGHT SIDE PUMP

LEFT SIDE PUMP



STEP 5: Attach the rocker switch to the appropriate opening.

RIGHT SIDE PUMP

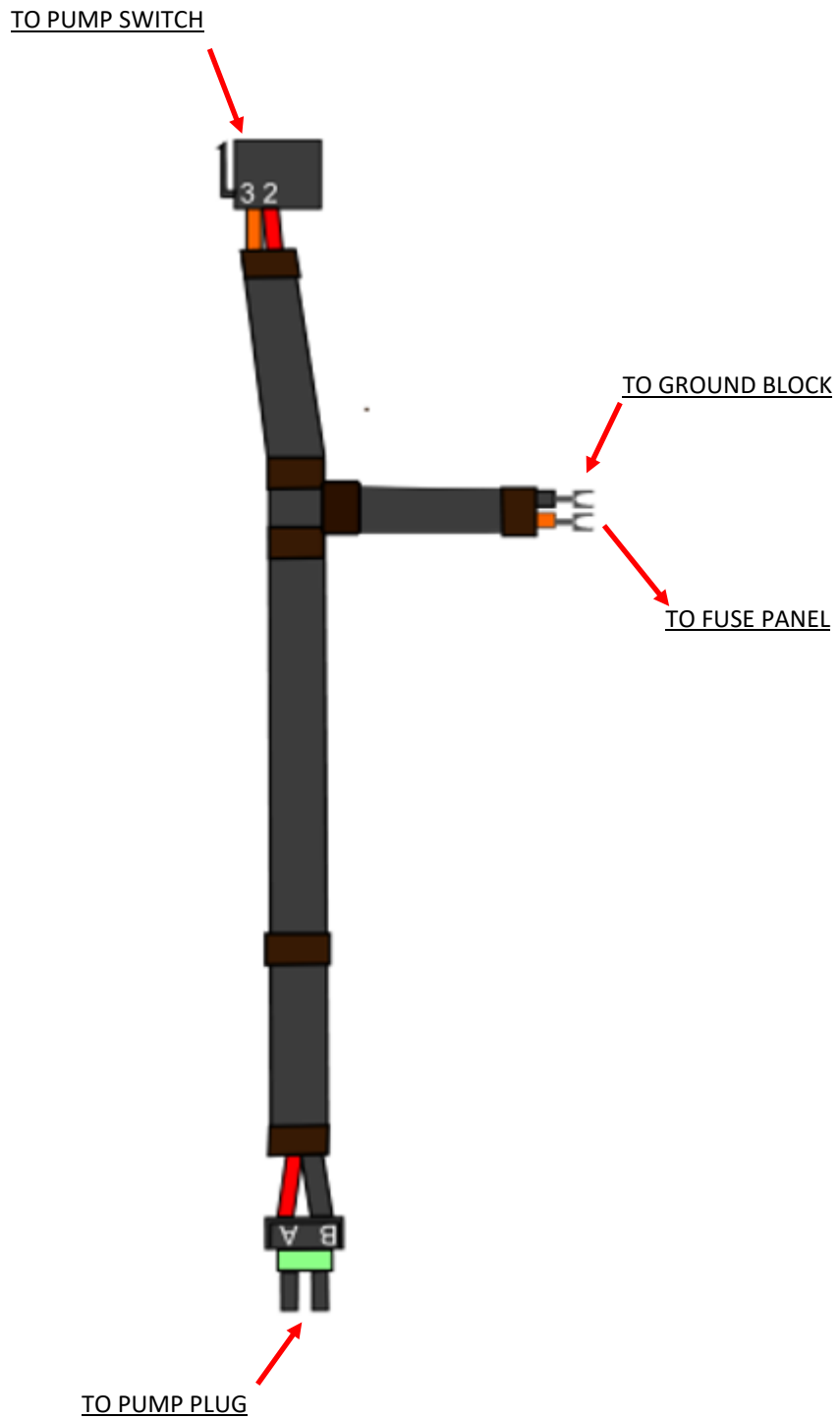
LEFT SIDE PUMP



7 GAL. INDEPENDENT SPRAYER ASSEMBLY INSTRUCTIONS

7 GALLON ATTACHMENT HARNESS

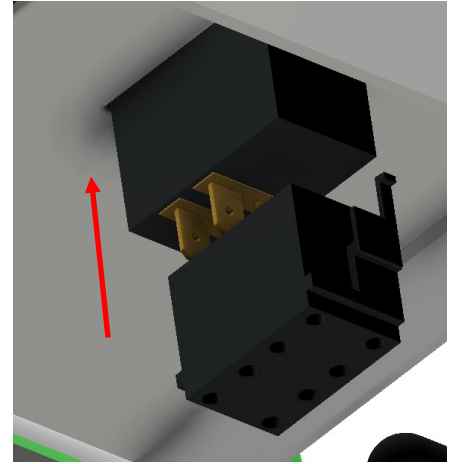
PART NO. - SG-7G1-2



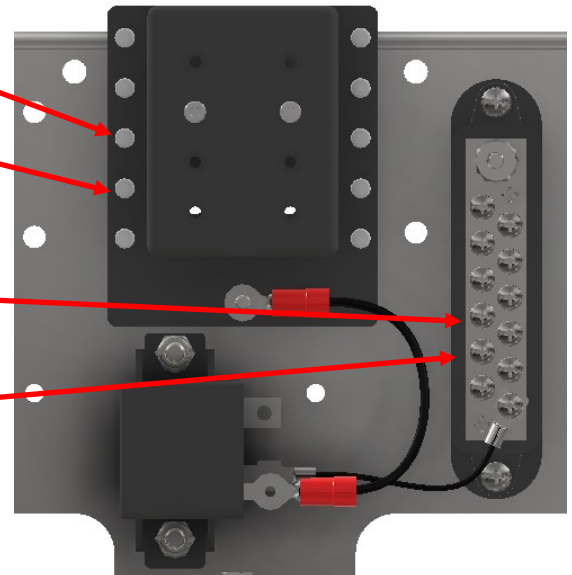
7 GAL. INDEPENDENT SPRAYER ASSEMBLY INSTRUCTIONS

STEP 6:

- Connect the pump harness to the pump switch.
- Connect the second harness if equipped with both left & right 7 gal. attachments.



- Left tank equipped, connect the orange power wire to port 3 on the fuse block.
- Right tank equipped, connect the orange power wire to port 4 on the fuse block.
- Connect the ground wire to the ground block.
- If equipped with left & right, Connect the ground wire from the second harness *right side* to the ground block.
- Attach the proper fuses according to the chart Fig. 1.
- Attach the clear cover to the fuse block.



PORT	SG 52 SERIES FUSE BLOCK		PORT
1	SPRAY PUMP 1 25 AMP	USB PORT 5 AMP	6
2	SPRAY PUMP 2 25 AMP	SPRAY PUMP SWITCH 25 AMP	7
3	7 GAL. LEFT 25 AMP	SPEEDOMETER 1 AMP	8
4	7 GAL. RIGHT 25 AMP	FOAM MARKER 25 AMP	9
5	HSA 10 AMP	HEADLIGHT 10 AMP	10

Fig. 1

7 GAL. INDEPENDENT SPRAYER ASSEMBLY INSTRUCTIONS

STEP 7: Connect the plug on the harness to the pump on the 7 gallon tank.



STEP 8: Reconnect the battery *power wire* first along with the *pump power wire* from the wiring harness, and then reconnect the *ground wire*.



GROUND

POWER

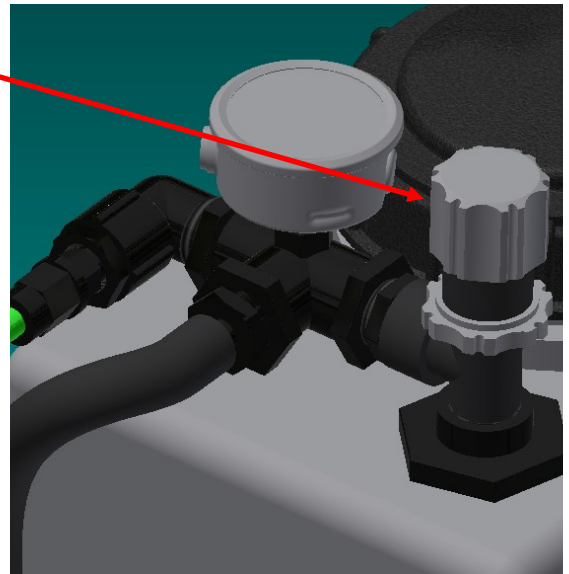
7 GAL. INDEPENDENT SPRAYER ASSEMBLY INSTRUCTIONS

OPERATION

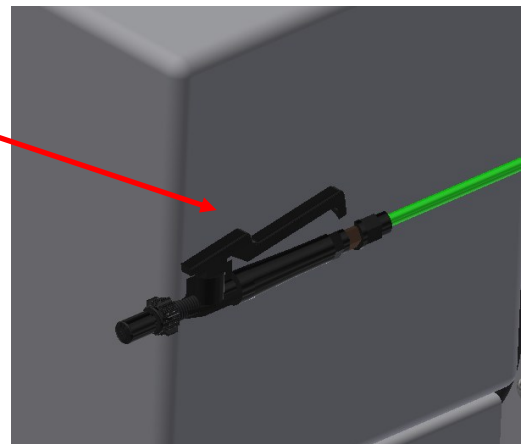
STEP 1: Press the switch on the dash to power the pump "on".



STEP 2: Turn the knob on the throttle valve to adjust the spray pressure,



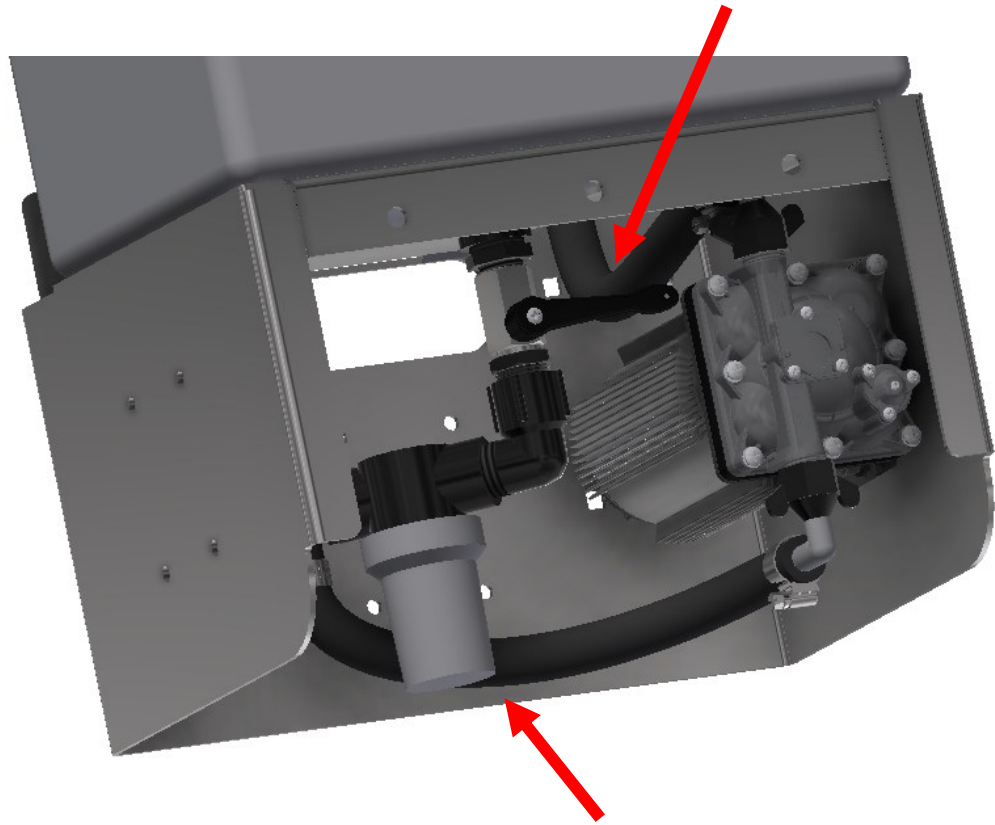
STEP 3: Squeeze the trigger on the spray handle to spray.



7 GAL. INDEPENDENT SPRAYER ASSEMBLY INSTRUCTIONS

MAINTENANCE

- Turn the ball valve off to stop the fluid flow.
- Remove the cap from the strainer to clean it.



NOTES

NOTES

NOTES



Steel Green Mfg.
824 S State Road 39
Lebanon, IN 46052
(765)-481-2890
www.steelgreenmfg.com

MANUAL PART NO.	MANUAL REV.	DESCRIPTION	KIT PART NO.
SGM-012	5	SG 7 GALLON INDEPENDENT SPRAYER	P10030-1