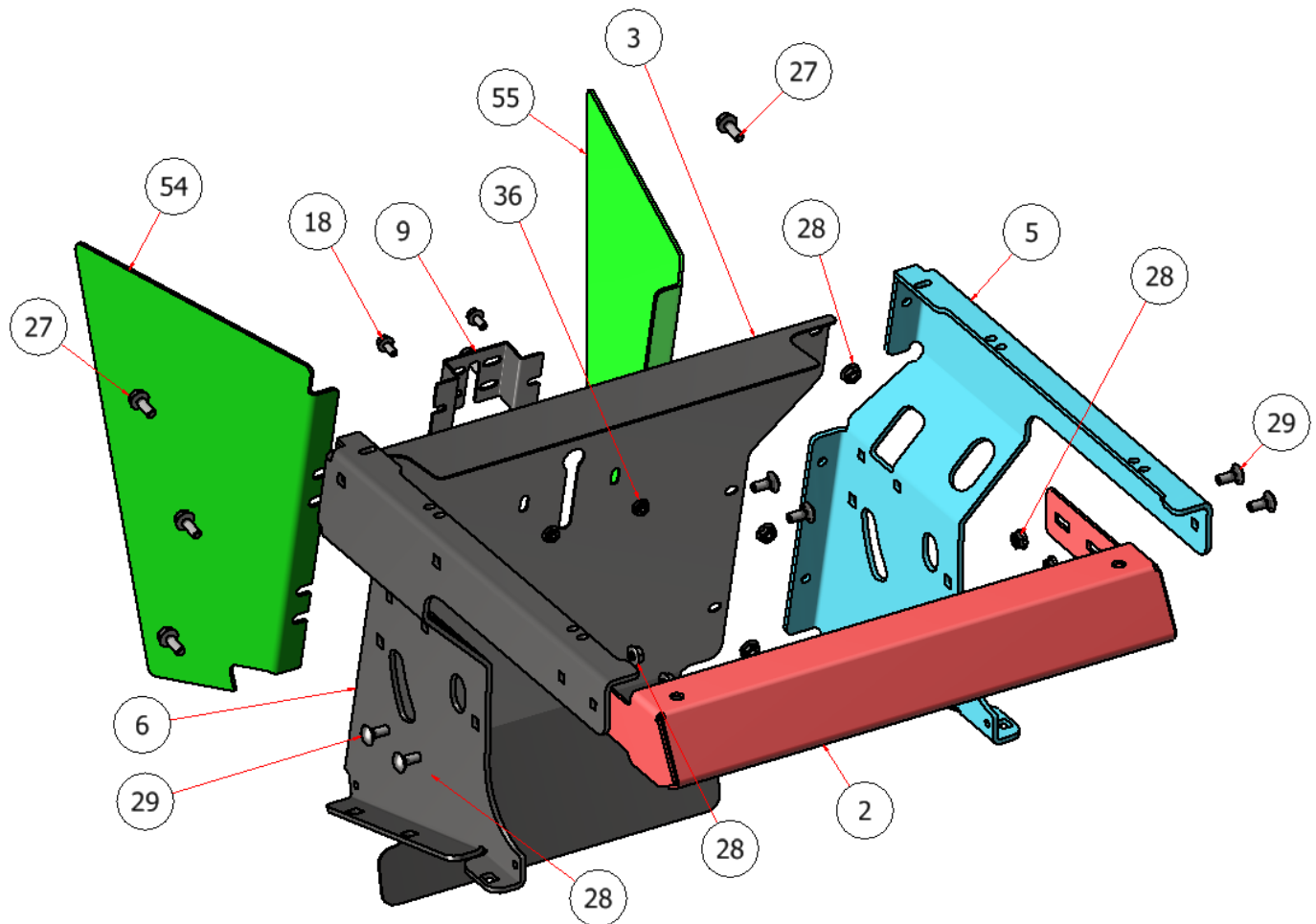


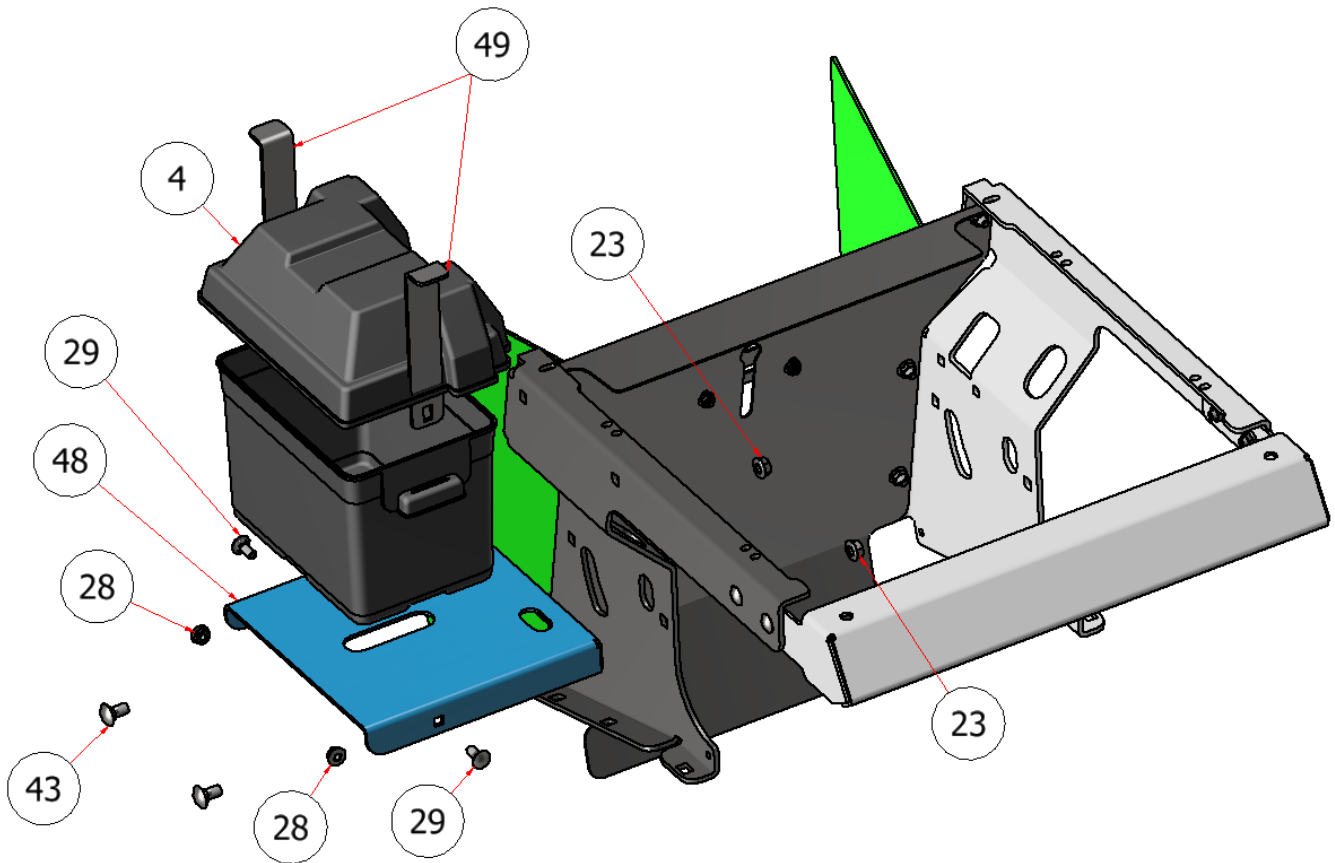
# 120 HOPPER ASSEMBLY

DRAWING NO. SGEV-056 REV. 4



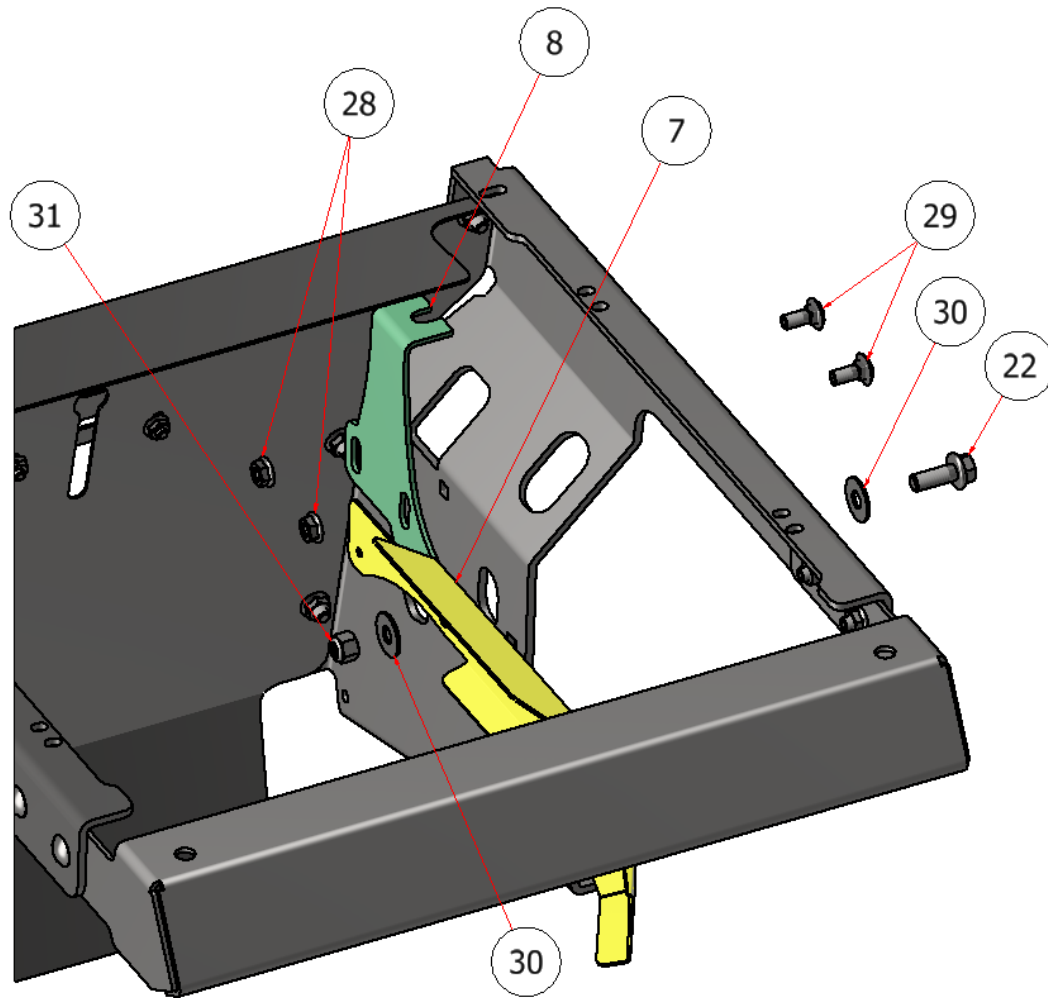
PARTS LIST			
ITEM	QTY	PART NUMBER	TITLE
2	1	R21-044	SG HOPPER BUMPER
3	1	R21-096	SG36, 42 HOPPER BACK SHIELD
5	1	R21-445	SG36, 42 HOPPER UPRIGHT LEFT
6	1	R21-445_MIR	SG36, 42 HOPPER UPRIGHT LEFT
9	1	R21-107	SG36, 42 HOPPER CABLE OFFSET
18	12	HFSSC-145	HEX FLANGE BOLT, SS - 1/4-20 x 1/2
27	6	HFSSC-51634	HEX FLANGE BOLT, 5/16-18 x 3/4
28	14	HFNCS-516S	HEX FLANGE NUT, SS - 5/16-18
29	8	CB-51634	CARRIAGE BOLT, SS - 5/16-18 x 3/4
36	2	HFNCS-14SS	HEX FLANGE NUT, 1/4-20
54	1	FB-01_MIR	FERT SHIELD, HOPPER, RIGHT
55	1	C60319-L	FERT SHIELD, HOPPER, LEFT

**NOTE:** Quantities in the parts list above are total per machine. Please note the quantities used in the sub-assemblies.



PARTS LIST			
ITEM	QTY	PART NUMBER	TITLE
4	2	E40002	BATTERY BOX
23	4	HFNCS-38S	HEX FLANGE NUT, SS - 3/8-16
28	14	HFNCS-516S	HEX FLANGE NUT, SS - 5/16-18
29	8	CB-51634	CARRIAGE BOLT, SS - 5/16-18 x 3/4
43	2	CB-3834SS	CARRIAGE BOLT, SS - 3/8-16 x 3/4
48	1	R21-234	SG42, 36 BATTERY BOX MOUNT
49	2	R21-214	SG 2022 BATTERY BOX HOLD DOWN

**NOTE:** Quantities in the parts list above are total per machine. Please note the quantities used in the sub-assemblies.

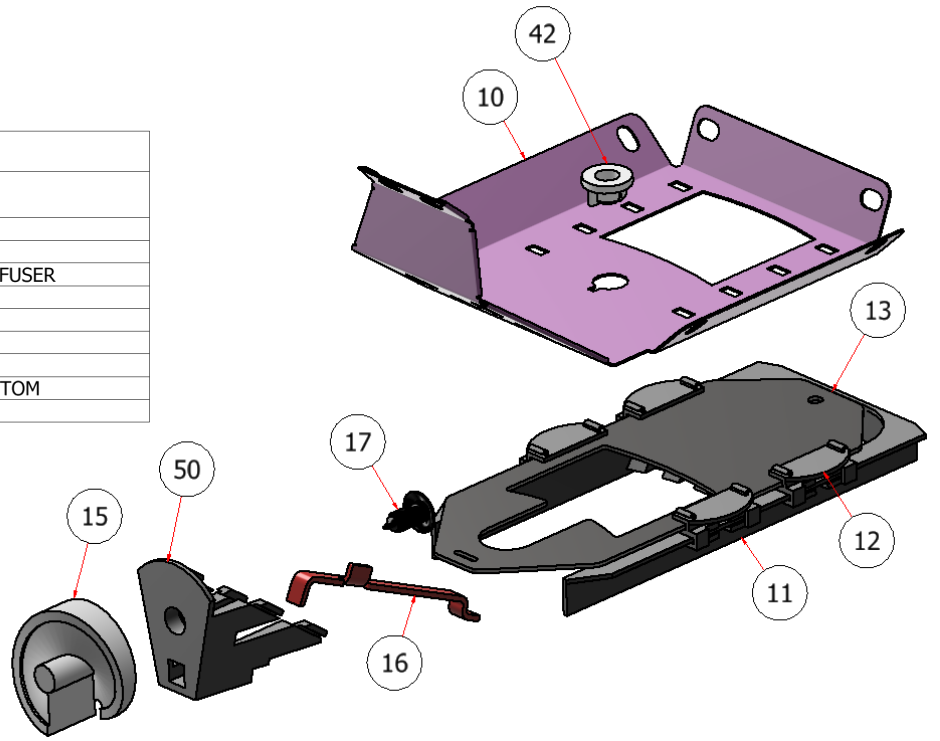


PARTS LIST			
ITEM	QTY	PART NUMBER	TITLE
7	1	R21-109	SG HOPPER DEFLECTOR
8	1	R21-446	SG36, 42 DEFLECTOR CABLE MOUNT
22	3	HFSSC-381	HEX FLANGE BOLT, SS - 3/8-16 x 1
28	14	HFNCS-516S	HEX FLANGE NUT, SS - 5/16-18
29	8	CB-51634	CARRIAGE BOLT, SS - 5/16-18 x 3/4
30	2	FWSS-38	FLAT WASHER, SS - 3/8
31	1	SSNNC-38	NYLOCK, SS - 3/8-16

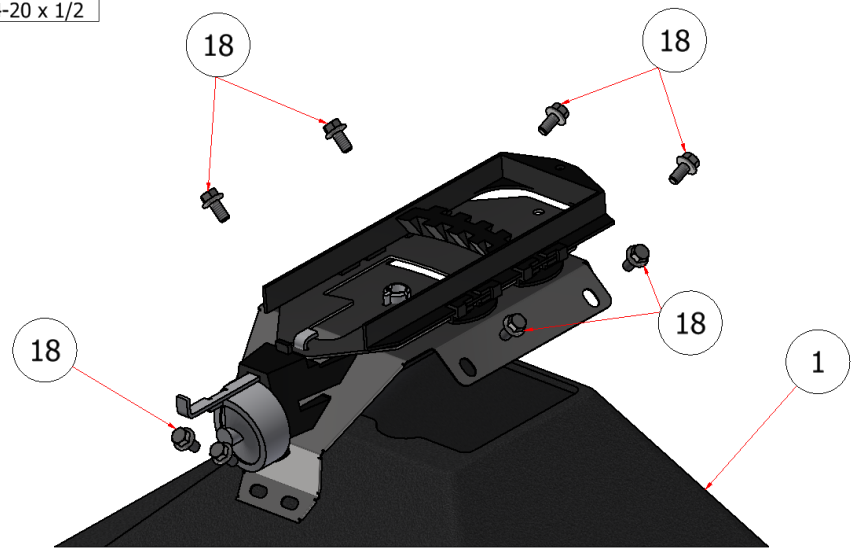
**NOTE:** Quantities in the parts list above are total per machine. Please note the quantities used in the sub-assemblies.

# 120 HOPPER ASSEMBLY

PARTS LIST			
ITEM	QTY	PART NUMBER	TITLE
10	1	D70009	BOTTOM, 120 HOPPER
11	1	D70004	DIFFUSER
12	4	D70005	GUIDE, RATE GATE/DIFFUSER
13	1	D70025	DOOR, HOPPER
15	1	D70001	DIAL, RATE
16	1	D70003	LINKAGE, RATE DIAL
17	1	D70016	CLIP, PINE TREE
42	1	D70008	BUSHING, HOPPER BOTTOM
50	1	D70002	SUPPORT, RATE DIAL

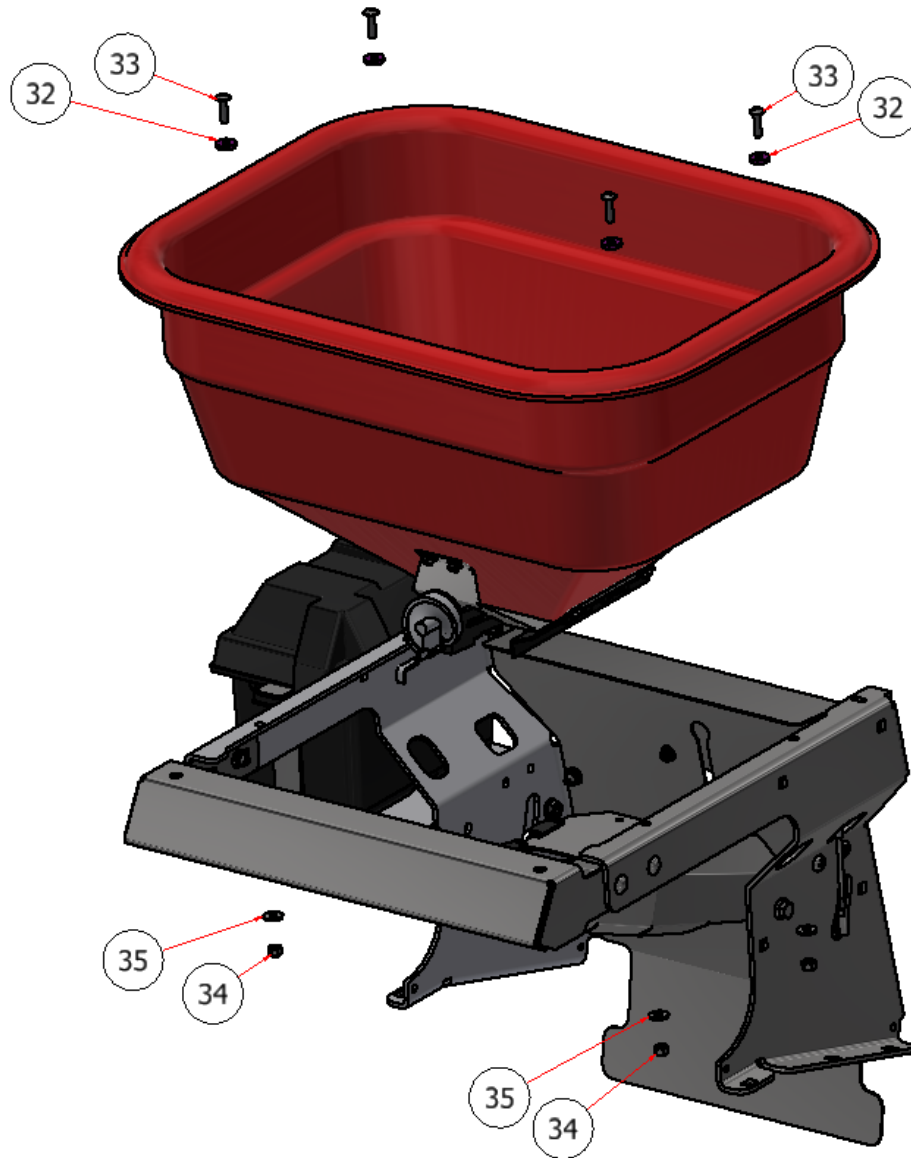


PARTS LIST			
ITEM	QTY	PART NUMBER	TITLE
1	1	D70013	TUB, 120 HOPPER
18	12	HFSSC-145	HEX FLANGE BOLT, SS - 1/4-20 x 1/2



**NOTE:** Quantities in the parts list above are total per machine. Please note the quantities used in the sub-assemblies.

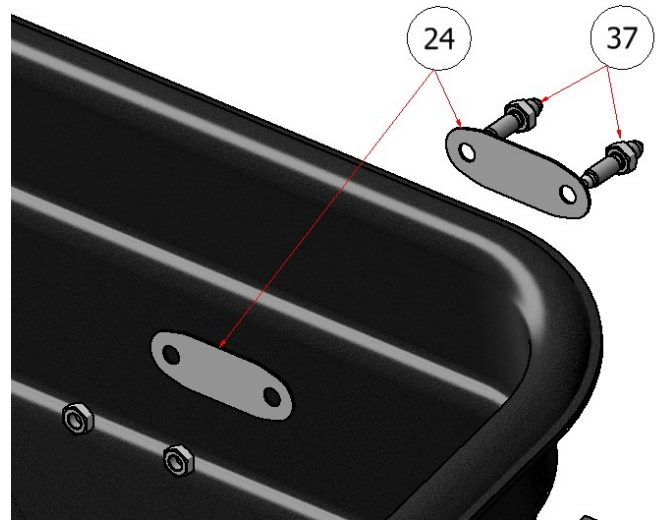
**120 HOPPER ASSEMBLY**



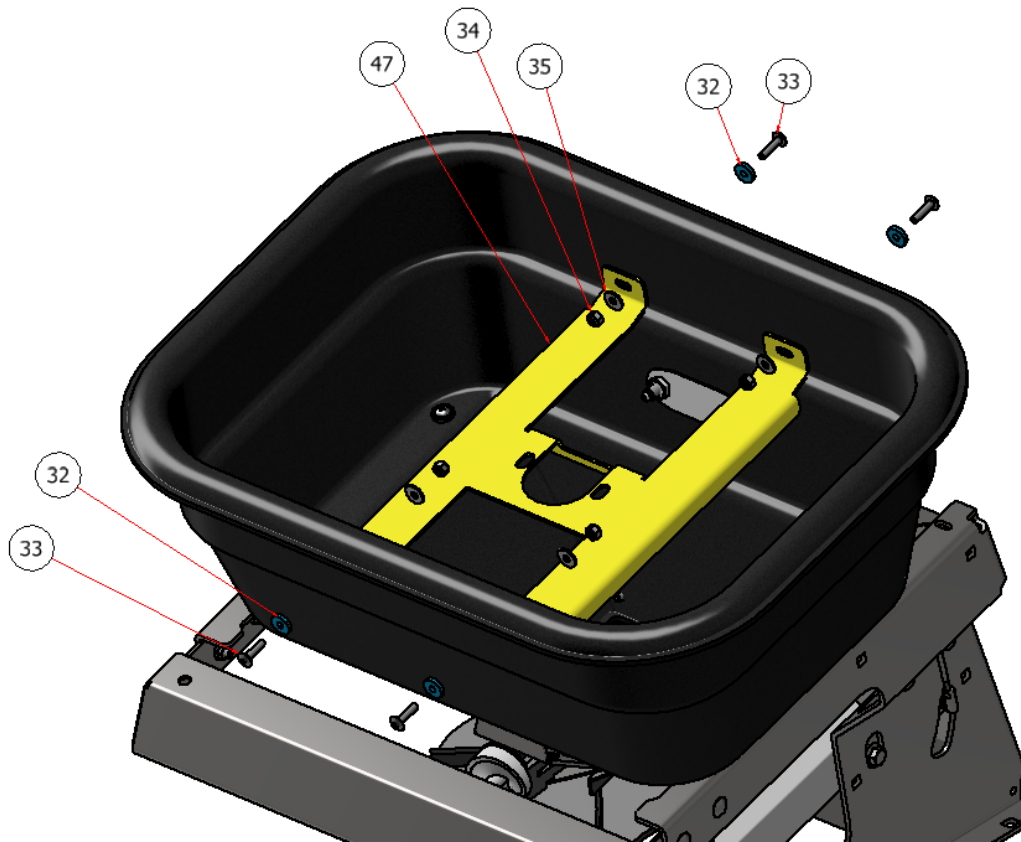
PARTS LIST			
ITEM	QTY	PART NUMBER	TITLE
32	4	NFW-14B	WASHER, PLASTIC, 1/4
33	4	TRPC-141S	PHILLIPS SCREW, SS - 1/4-20 x 1
34	4	SSNNC-14	NYLOCK, SS - 1/4-20
35	4	FWSS-14	FLAT WASHER, SS - 1/4

**NOTE:** Quantities in the parts list above are total per machine. Please note the quantities used in the sub-assemblies.

# 120 HOPPER ASSEMBLY



PARTS LIST			
ITEM	QTY	PART NUMBER	TITLE
24	2	R21-046	SG HOPPER HOSE PLATE
37	2	H84020	FITTING, HOPPER BULK HEAD

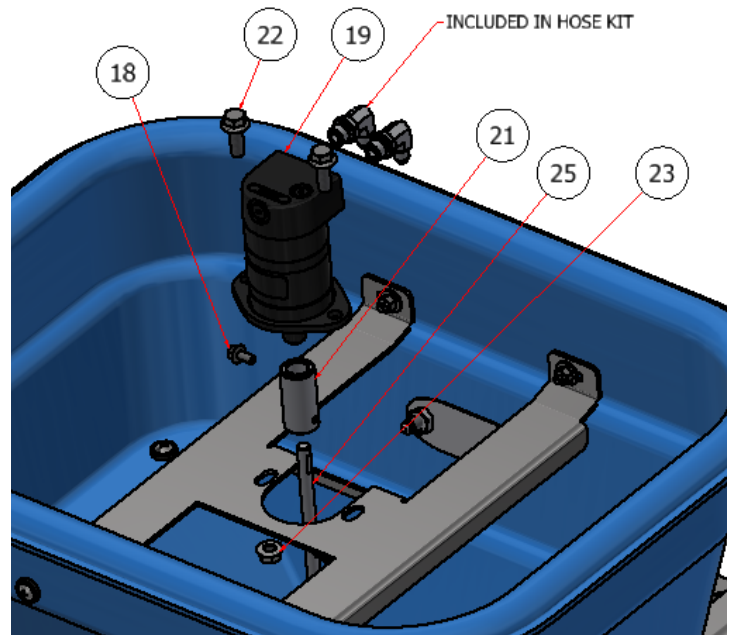


PARTS LIST			
ITEM	QTY	PART NUMBER	TITLE
32	8	NFW-14B	WASHER, PLASTIC, 1/4
33	8	TRPC-141S	PHILLIPS SCREW, SS - 1/4-20 x 1
34	8	SSNNC-14	NYLOCK, SS - 1/4-20
35	8	FWSS-14	FLAT WASHER, SS - 1/4
47	1	R21-131	SG42, 36 2020 HOPPER MOTOR MOUNT

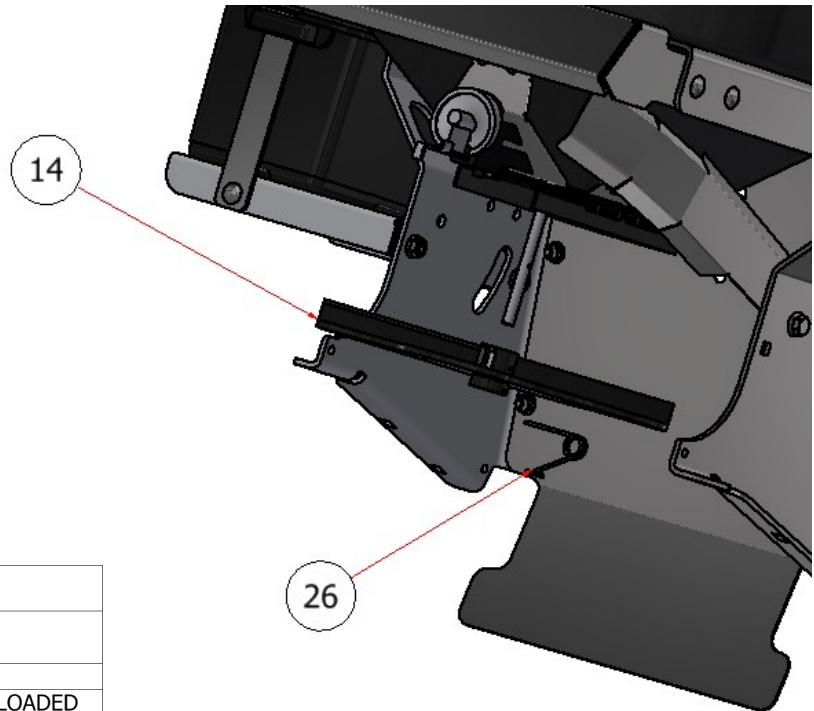
**NOTE:** Quantities in the parts list above are total per machine. Please note the quantities used in the sub-assemblies.

# 120 HOPPER ASSEMBLY

PARTS LIST			
ITEM	QTY	PART NUMBER	TITLE
18	12	HFSSC-145	HEX FLANGE BOLT, SS - 1/4-20 x 1/2
19	1	H81441	HOPPER MOTOR
21	1	R31011	COUPLER, HOPPER MOTOR
22	3	HFSSC-381	HEX FLANGE BOLT, SS - 3/8-16 x 1
23	4	HFNCS-38S	HEX FLANGE NUT, SS - 3/8-16
25	1	R31017	SHAFT, 120 HOPPER

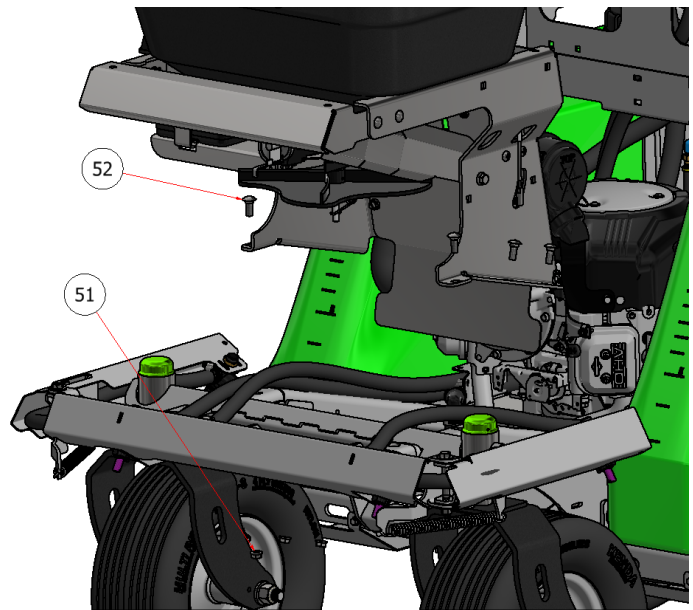
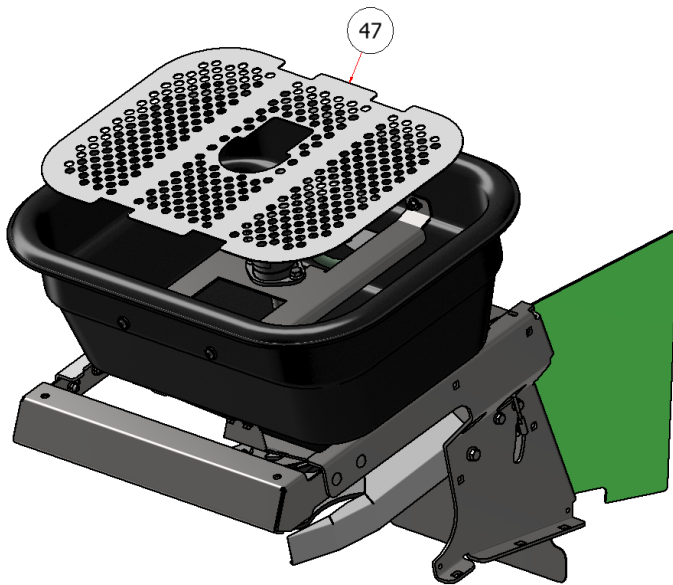


PARTS LIST			
ITEM	QTY	PART NUMBER	TITLE
14	1	D70000	SPINNER, HOPPER
26	1	D70019	CLIP, SPINNER SPRING LOADED



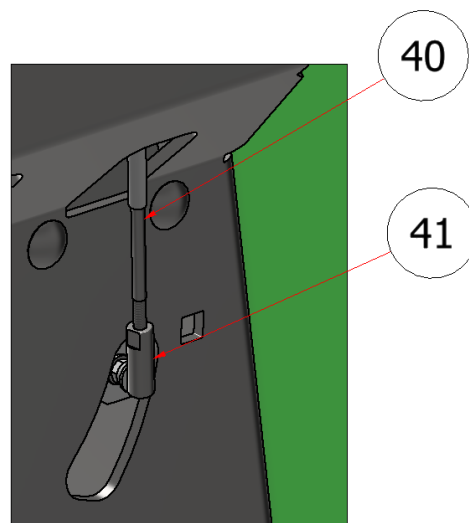
**NOTE:** Quantities in the parts list above are total per machine. Please note the quantities used in the sub-assemblies.

**120 HOPPER ASSEMBLY**



PARTS LIST			
ITEM	QTY	PART NUMBER	DESCRIPTION
51	10	HFNCS-38S	HEX FLANGE NUT - 3/8-16
52	6	CB-381SS	BOLT, CARRAGE, 3/8 X 1
47	1	R21-377	SG 120 ROUND HOLE HOPPER SCREEN

PARTS LIST			
ITEM	QTY	PART NUMBER	TITLE
40	1	D71003	CABLE, DEFLECTOR
41	1	D71005	BALL JOINT



**NOTE:** Quantities in the parts list above are total per machine. Please note the quantities used in the sub-assemblies.