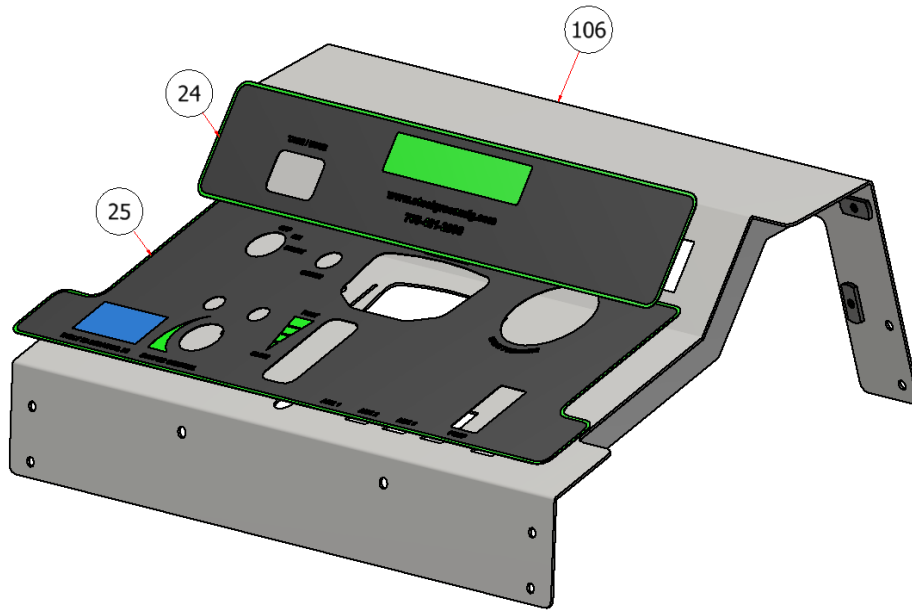
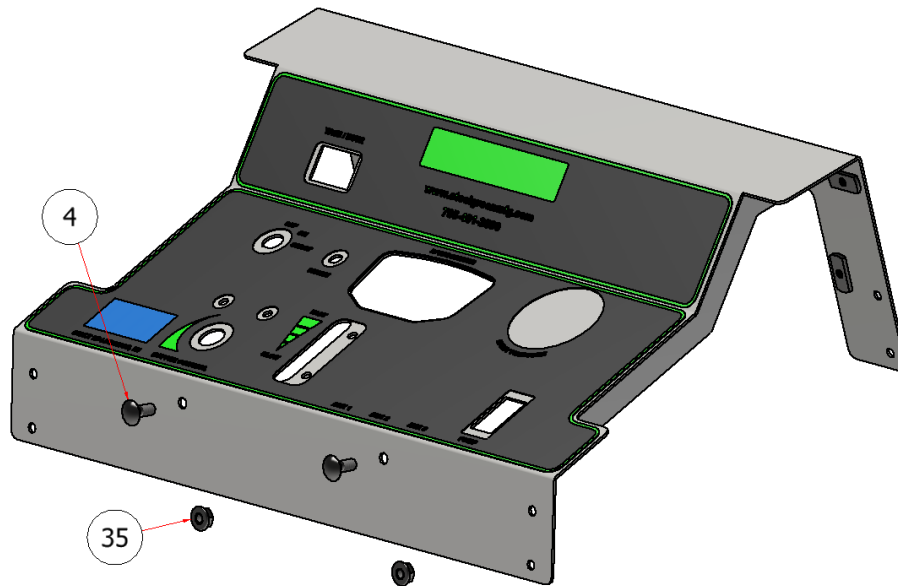


ALL GRANULAR ATTACHMENT

DRAWING NO. SGATT-002 REV. 2



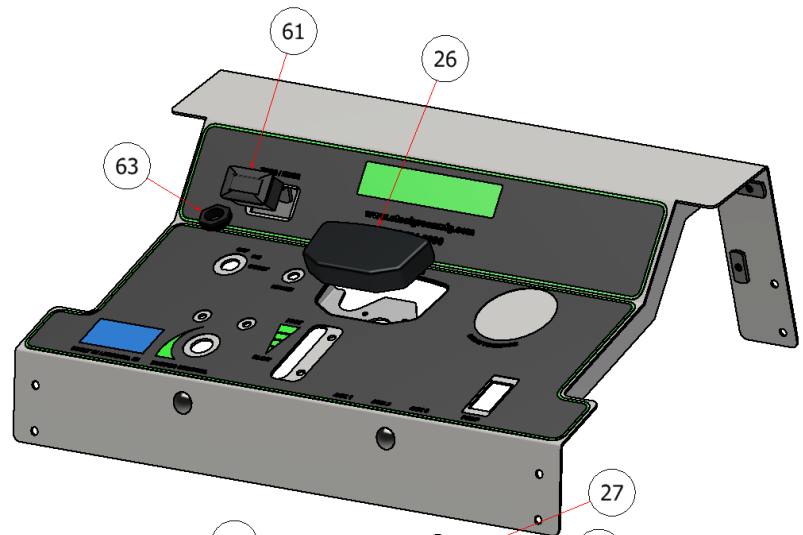
PARTS LIST			
ITEM	QTY	PART NUMBER	TITLE
24	1	C60337	ELECTRIC DASH PANEL
25	1	C60336	MAIN DASH PANEL
106	1	W22-104	DASH PANEL, ALL FERT



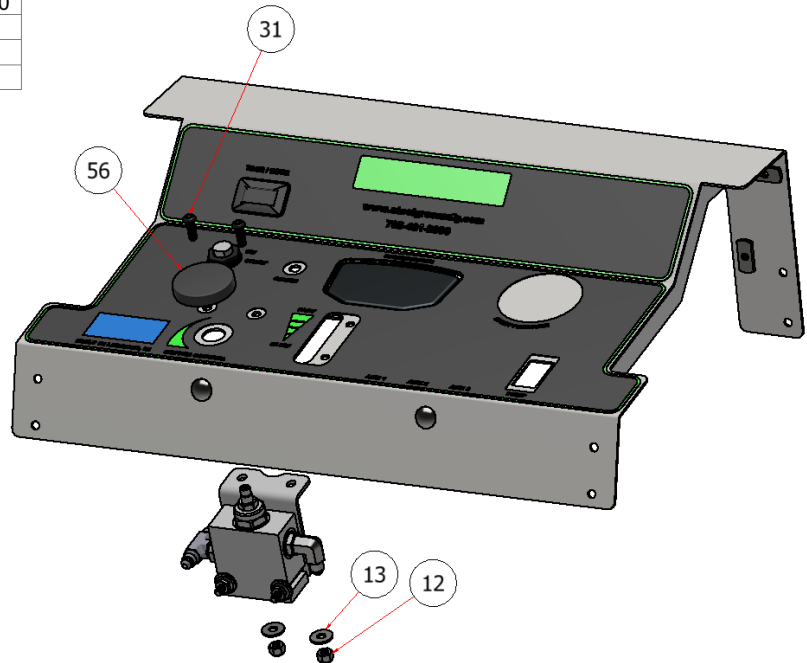
PARTS LIST			
ITEM	QTY	PART NUMBER	TITLE
4	2	CB-51634	CARRIAGE BOLT, SS - 5/16-18 x 3/4
35	4	HFNCS-516S	HEX NUT, 5/16

NOTE: Quantities in the parts list above are total per machine. Please note the quantities used in the sub-assemblies.

ALL GRANULAR ATTACHMENT

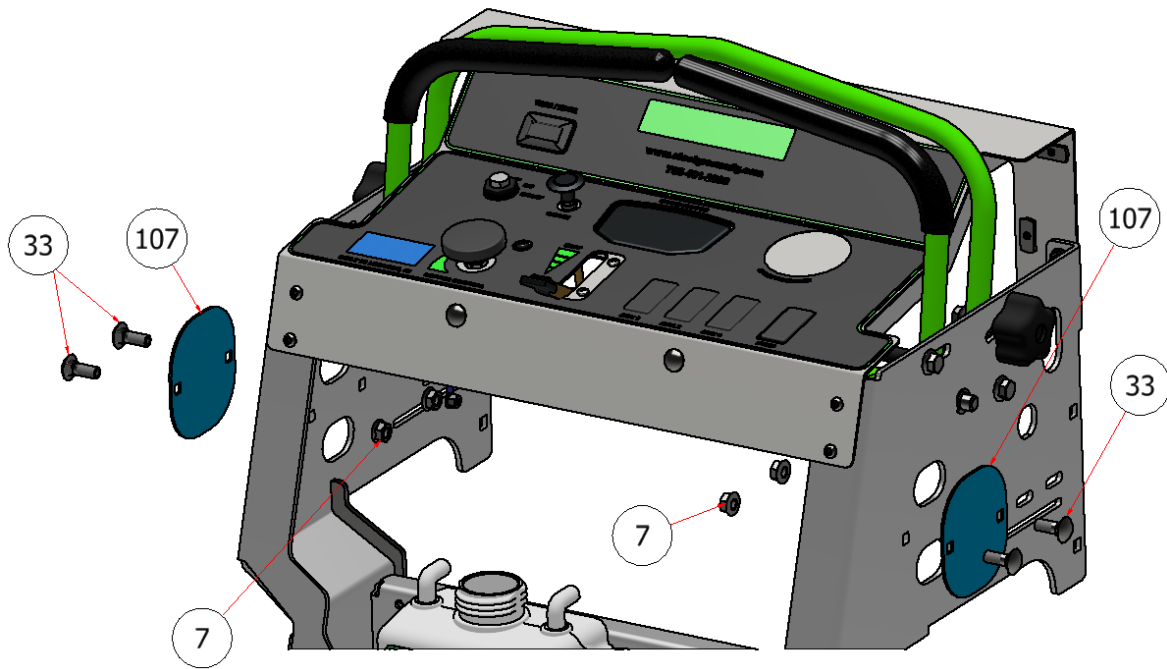


PARTS LIST			
ITEM	QTY	PART NUMBER	TITLE
26	1	E40010	SPEEDOMETER
27	2	FSW-10	FLAT WASHER, SS-10
48	2	SHMSS-407010	ALLEN SCREW, 40 X 70 X 10
61	1	E40011	TACHOMETER
62	1	E40215	KEY SWITCH
63	1	E40215 NUT	KEY SWITCH NUT



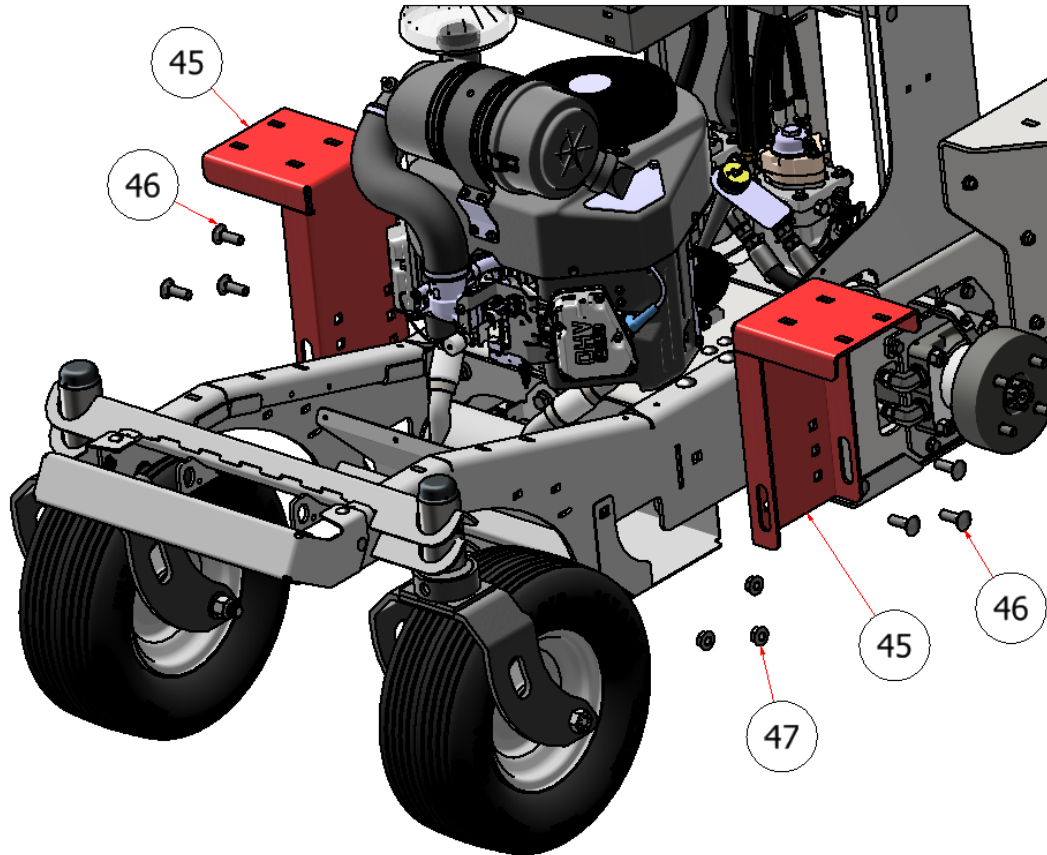
PARTS LIST			
ITEM	QTY	PART NUMBER	TITLE
12	4	SSNNC-14	NYLOCK, SS - 1/4-20
13	4	FWSS-14	FLAT WASHER, 1/4"
31	10	PTSS-1434	STAR SCREW, 1/4 X 3/4
56	1	H81431	VALVE KNOB

NOTE: Quantities in the parts list above are total per machine. Please note the quantities used in the sub-assemblies.



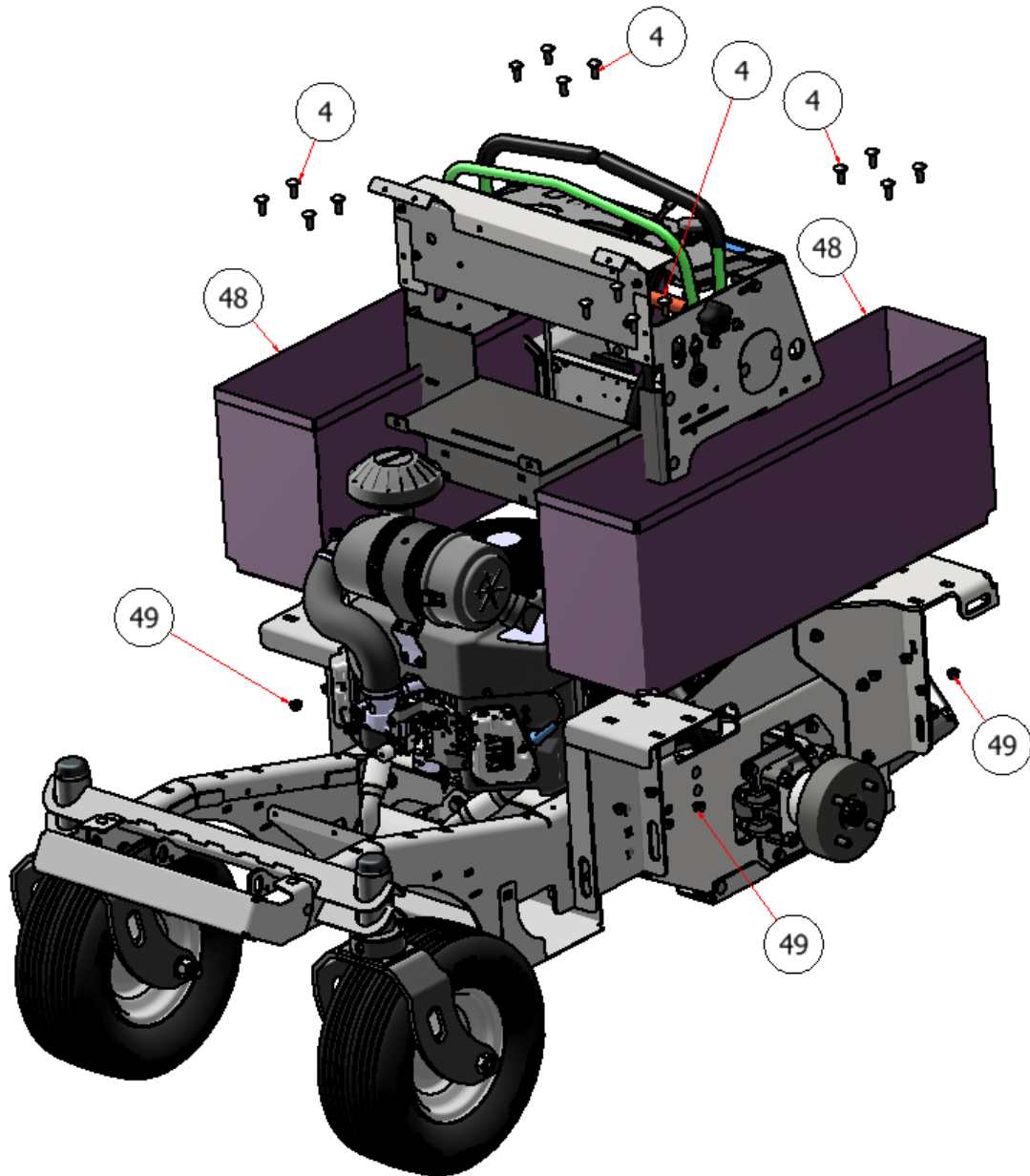
PARTS LIST			
ITEM	QTY	PART NUMBER	TITLE
7	14	HFNCS-38S	HEX FLANGE NUT, SS - 3/8-16
33	8	CB-381SS	CARRIAGE BOLT, SS - 3/8-16 x 1
107	2	R22-082	SG FERT ONLY TANK VALVE COVERS

NOTE: Quantities in the parts list above are total per machine. Please note the quantities used in the sub-assemblies.



PARTS LIST			
ITEM	QTY	PART NUMBER	TITLE
45	2	W22-080	FRONT SUPPORT, ALL FERT, SG36/42
		W22-081	FRONT SUPPORT, ALL FERT, SG46/52
46	2	CB-12112SS	CARRIAGE BOLT, SS - 1/2-13 x 1 1/2
47	2	HFNCS-12S	HEX FLANGE NUT, SS - 1/2-13

NOTE: Quantities in the parts list above are total per machine. Please note the quantities used in the sub-assemblies.

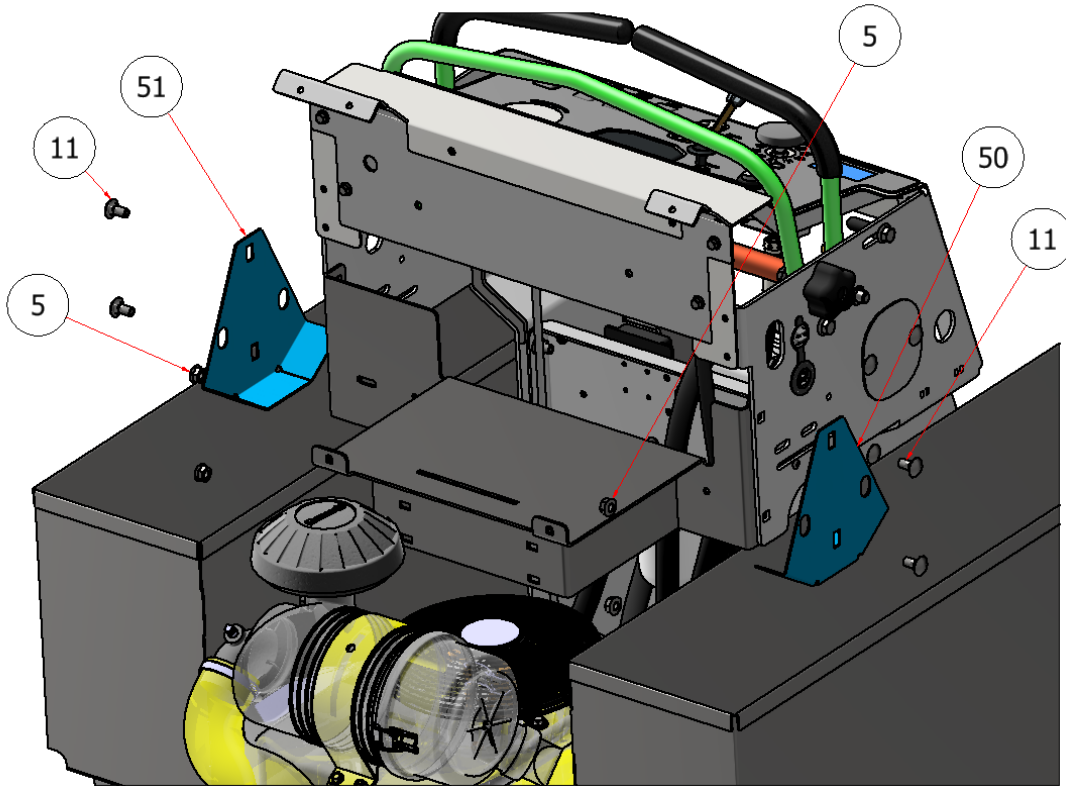


PARTS LIST			
ITEM	QTY	PART NUMBER	TITLE
4	22	CB-381SS	CARRIAGE BOLT, SS - 3/8-16 x 1
48	2	W22-078	FERT BOX, ALL FERT
49	16	HFNCS-375S	HEX FLANGE NUT, 3/8

NOTE: Quantities in the parts list above are total per machine. Please note the quantities used in the sub-assemblies.

NOTICE

Bag protectors used on the SG36 & SG42 ONLY.

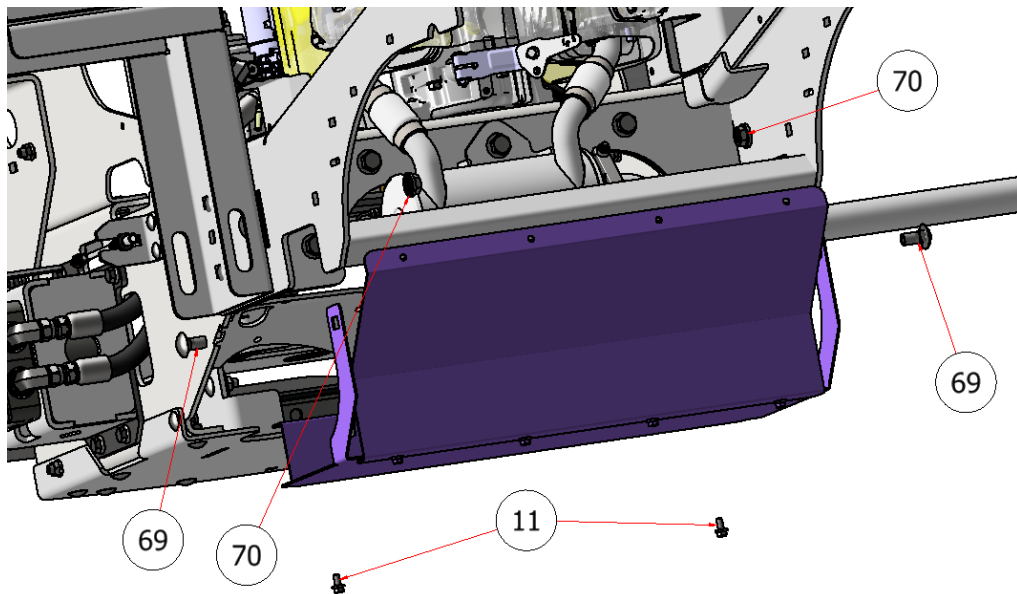
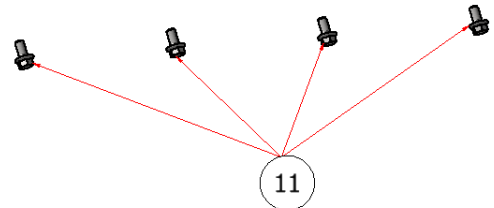
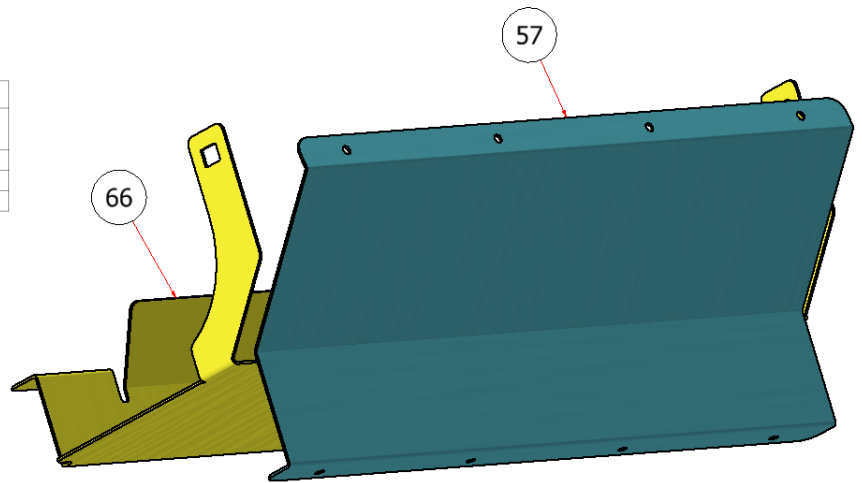


PARTS LIST			
ITEM	QTY	PART NUMBER	TITLE
5	10	HFNCS-38S	HEX FLANGE NUT, SS - 3/8-16
11	4	CB-3834SS	CARRIAGE BOLT, SS - 3/8-16 x 3/4
50	1	R22-231	SG36 FERT ONLY BAG PROTECTOR, LEFT
51	1	R22-231-R	SG36 FERT ONLY BAG PROTECTOR, RIGHT

NOTE: Quantities in the parts list above are total per machine. Please note the quantities used in the sub-assemblies.

ALL GRANULAR ATTACHMENT

PARTS LIST			
ITEM	QTY	PART NUMBER	TITLE
11	10	HFSSC-145	HEX FLANGE BOLT, SS - 1/4-20 x 1/2
57	1	R21-338	SG46, 52 FRONT DEFLECTOR PLATE
66	1	W22-224	SG36 / 42 UNDERBELLY SHIELD



PARTS LIST			
ITEM	QTY	PART NUMBER	TITLE
11	10	HFSSC-145	HEX FLANGE BOLT, SS - 1/4-20 x 1/2
69	2	CB-121SS	CARRIAGE BOLT, 1/2 X 1 SS
70	2	HFNCS-.500S	HEX FLANGE NUT, 1/2" SS

NOTE: Quantities in the parts list above are total per machine. Please note the quantities used in the sub-assemblies.