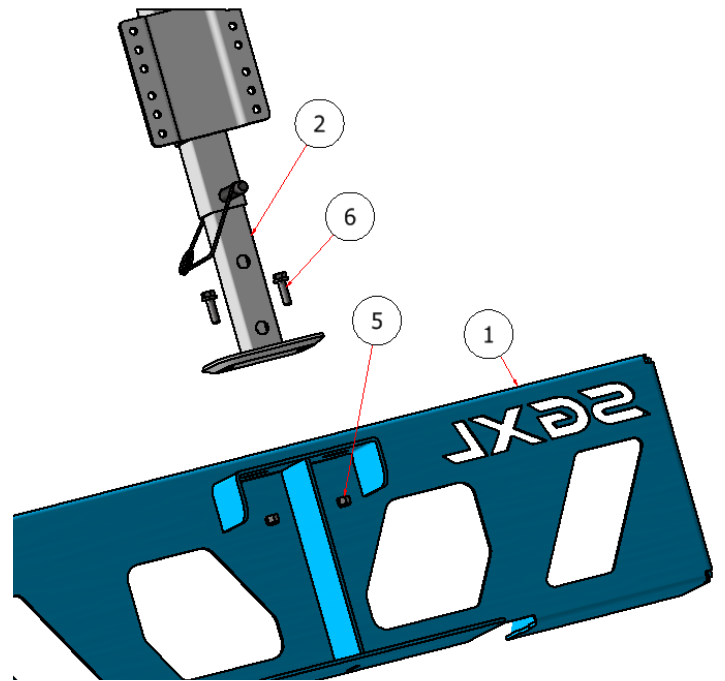


# SGXL CRANK-UP LIFT

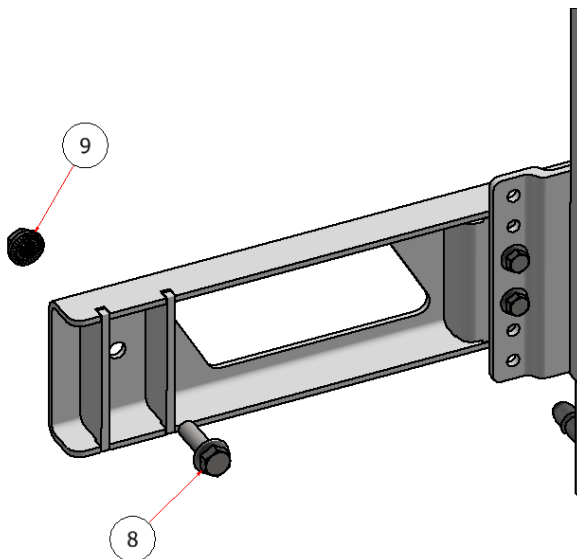
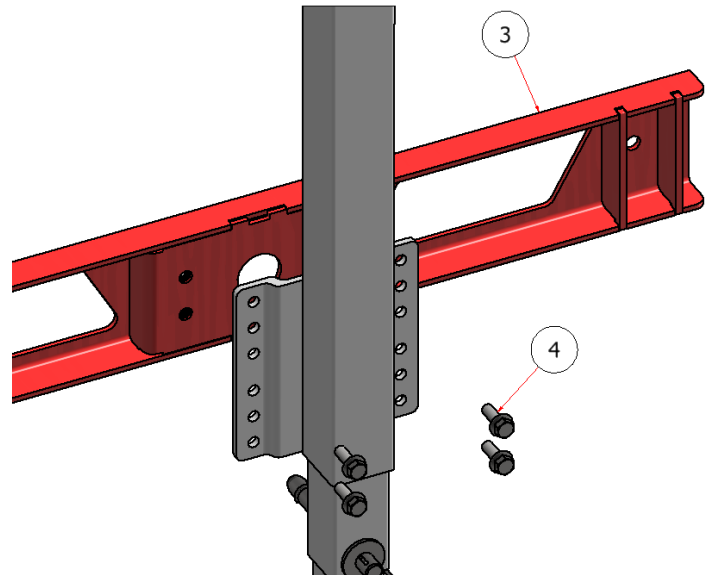
DRAWING NO. SGXLEV-009 REV. 1



PARTS LIST			
ITEM	QTY	PART NUMBER	TITLE
1	1	W23-294	BASE, CRANK-UP, SGXL
2	1	C60379	CRANK-UP, OVERTON
5	2	SSNNC-38	NYLOCK, SS - 3/8-16
6	2	HFSSC-38114	HEX FLANGE BOLT, SS - 3/8 X 1-1/4



PARTS LIST			
ITEM	QTY	PART NUMBER	TITLE
3	1	W23-320	SGXL LIFT ARM WELDMENT
4	4	HFSSC-381	HEX FLANGE BOLT, SS - 3/8-16 x 1



PARTS LIST			
ITEM	QTY	PART NUMBER	TITLE
8	2	HFSSC-12112	HEX FLANGE BOLT, 1/2 X 1-1/2
9	2	HFNCS-.500S	HEX FLANGE NUT, 1/2" SS