

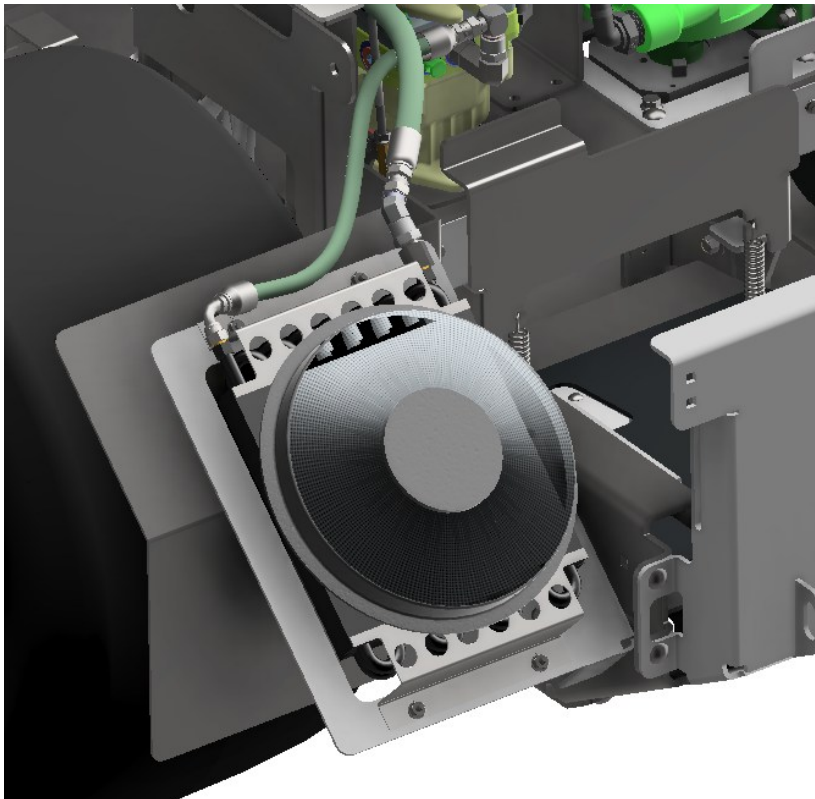
STEELGREEN[™]

MANUFACTURING

INSTRUCTION MANUAL

OIL COOLER REPLACEMENT

Models: SGXL



OIL COOLER REPLACEMENT INSTRUCTIONS

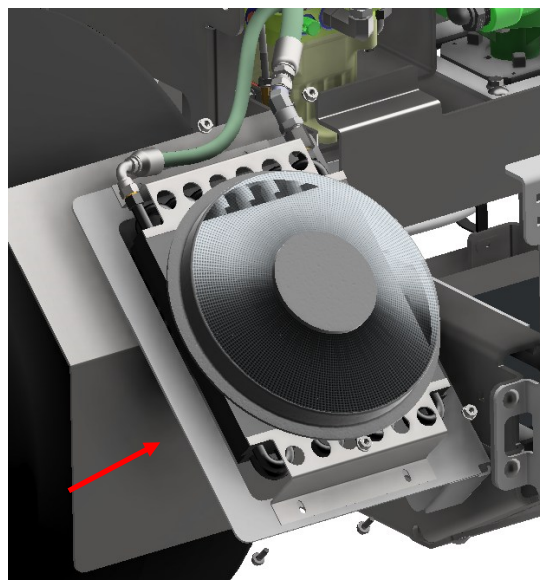
CAUTION

Allow the engine to cool before starting the following instructions.

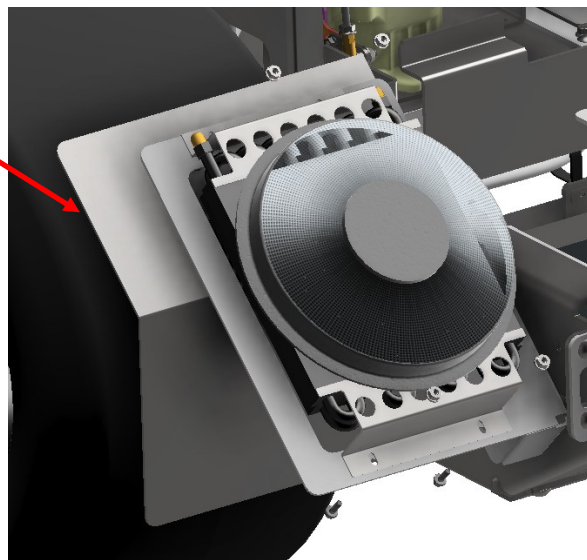
STEP 1: Remove the bolts & move the oil cooler out of the way.

NOTICE

Leave the hoses connected.

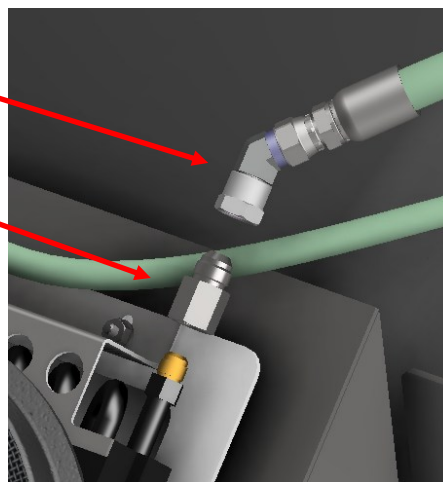


STEP 2: Attach the new oil cooler to the support.



STEP 3:

- Disconnect the return hose from the old oil cooler & plug it with a cap or pipe plug.
- Remove the reducer fitting from the return port.



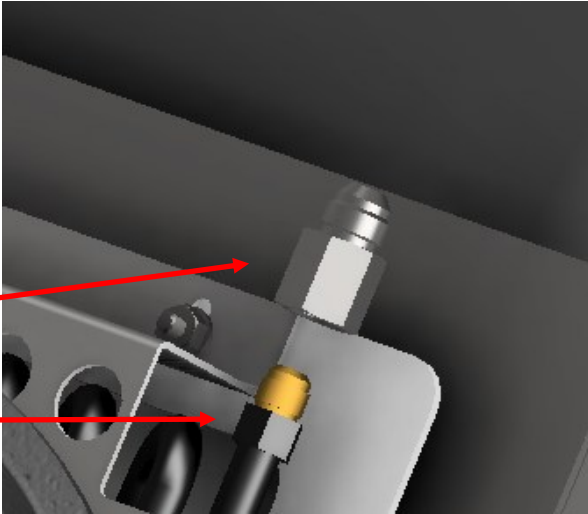
OIL COOLER REPLACEMENT INSTRUCTIONS

NOTICE
Steps 4&5, Use a second wrench to hold the tube on the cooler while tightening to prevent the tube from bending.

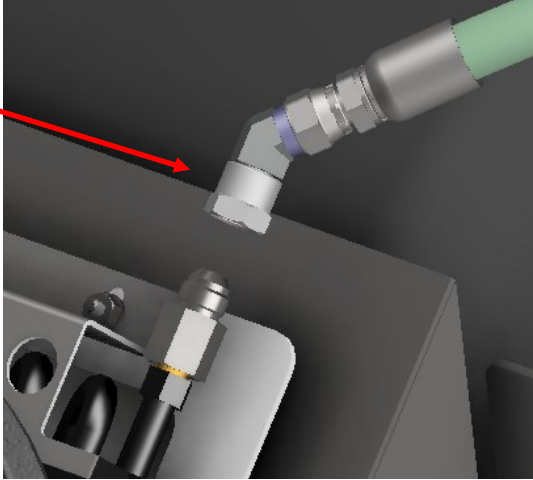
STEP 4:

- Attach the reducer fitting the return port of the new cooler.

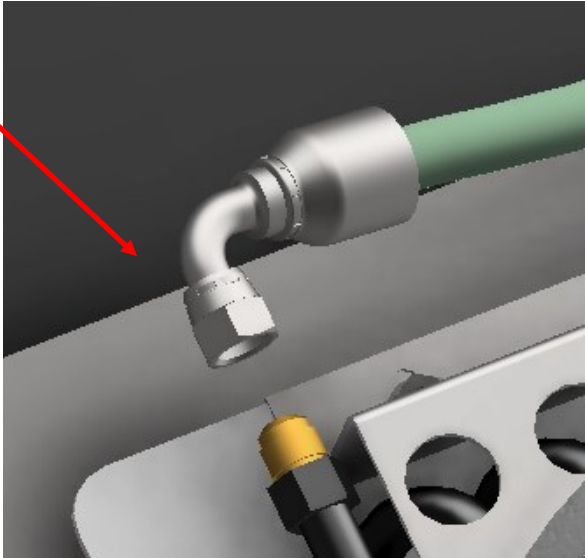
SECOND WRENCH



- Connect the return hose.



STEP 5: Disconnect the supply hose from the old oil cooler & connect it to the supply port of the new cooler.





Steel Green Mfg.
824 S State Road 39
Lebanon, IN 46052
(765)-481-2890
www.steelgreenmfg.com

MANUAL PART NO.	MANUAL REV.	DESCRIPTION
SGM-049	1	SGXL OIL COOLER REPLACEMENT