

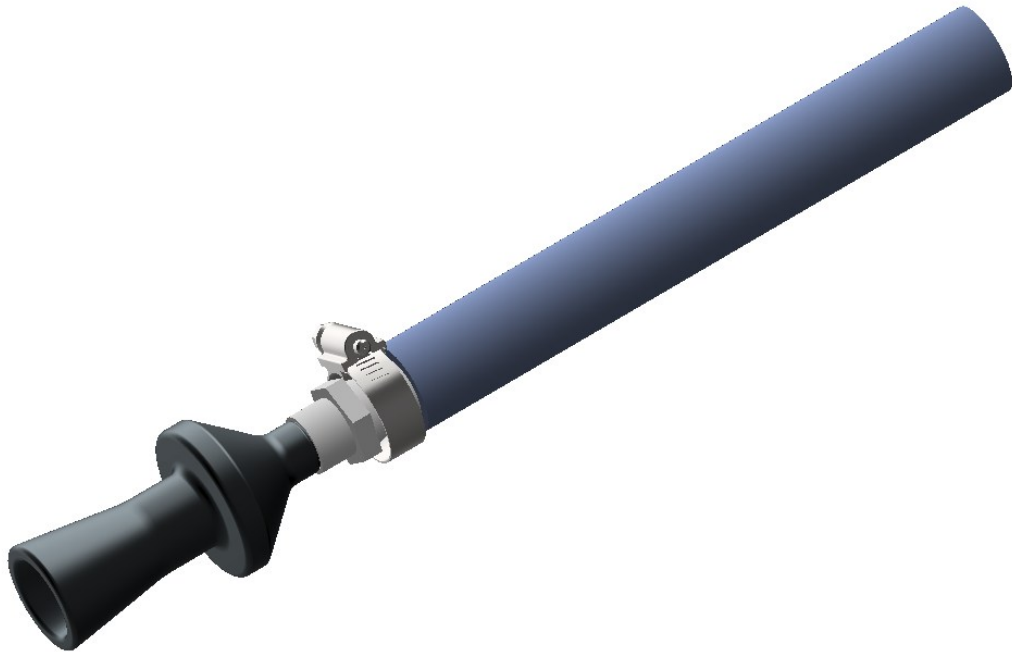
STEELGREENTM

M A N U F A C T U R I N G

INSTRUCTION MANUAL

TANK AGITATOR ATTACHMENT

Models: SG36, SG42, SG46, & SG52



TANK AGITATOR ATTACHMENT INSTRUCTIONS

STANDARD SG SERIES TANKS

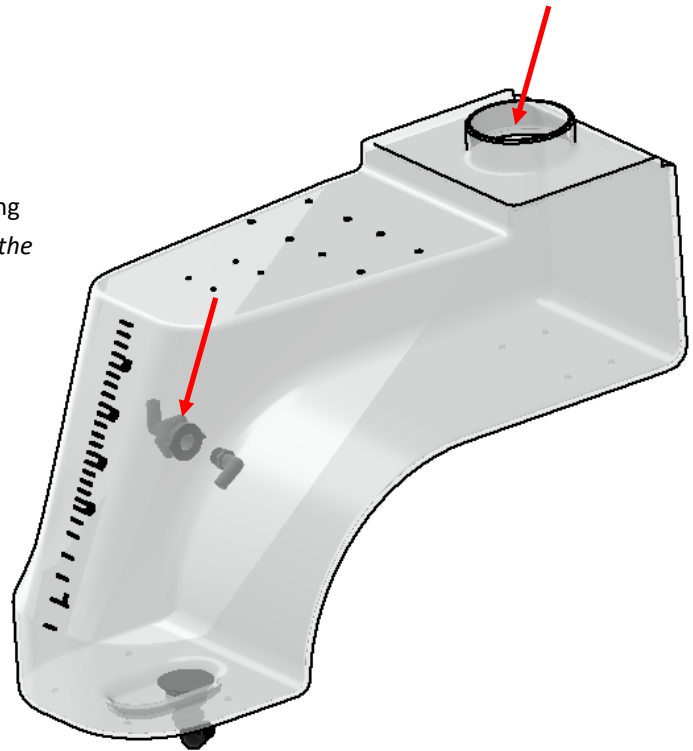
CAUTION

Be sure fluid tanks are drained before attempting the following instructions.

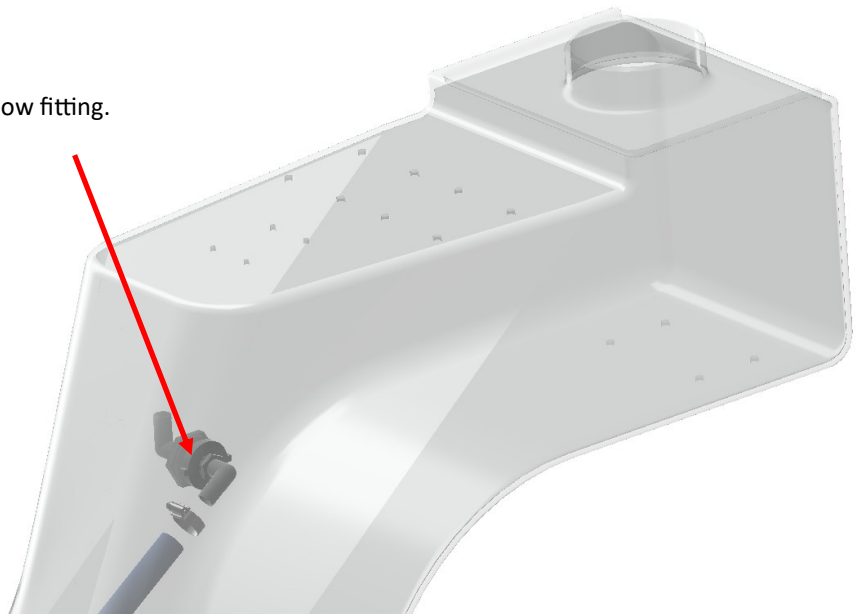
NOTICE

- Use white lube on hose connections.
- Securely fasten all hoses with clamps.
- Repeat all steps for the right side tank.

STEP 1: Reach through the lid opening & attach the elbow fitting (S52029 provided with the kit) to the return bulkhead. Rotate the elbow so it's facing down towards the sump.



STEP 2: Connect the agitator assembly to the elbow fitting.



TANK AGITATOR ATTACHMENT INSTRUCTIONS

35 GALLON ATTACHMENT TANK

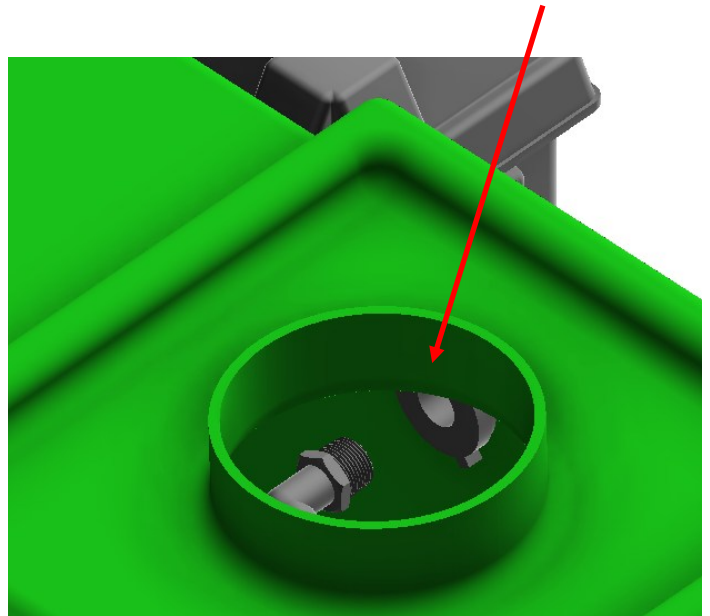
CAUTION

Be sure fluid tank is drained before attempting the following instructions.

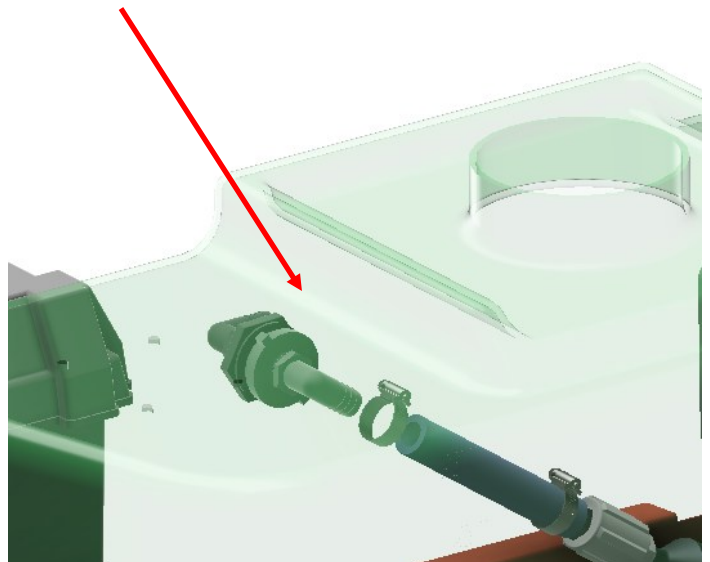
NOTICE

- *Use white lube on hose connections.*
- *Securely fasten all hoses with clamps.*

STEP 1: Reach through the lid opening & attach the elbow fitting (S52029 provided with the kit) to the return bulkhead. Rotate the elbow so it's facing down towards the sump.



STEP 2: Connect the agitator assembly to the elbow fitting.



TANK AGITATOR ATTACHMENT INSTRUCTIONS

7 GALLON ATTACHMENT TANK

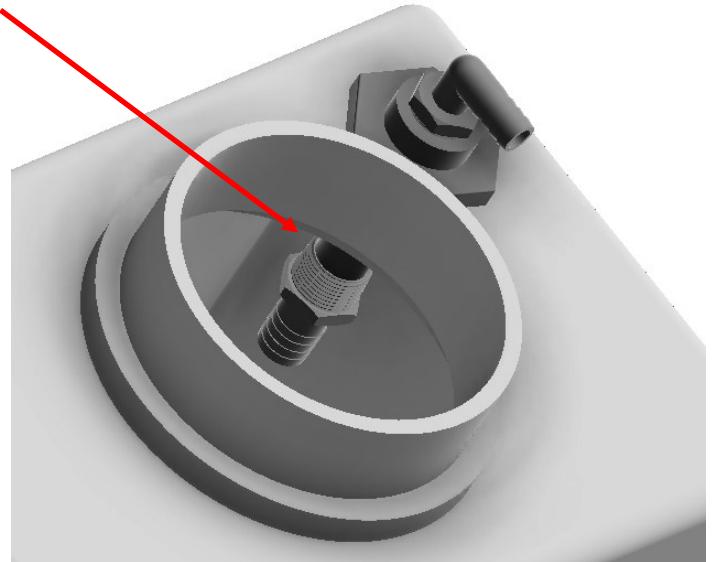
CAUTION

Be sure fluid tank is drained before attempting the following instructions.

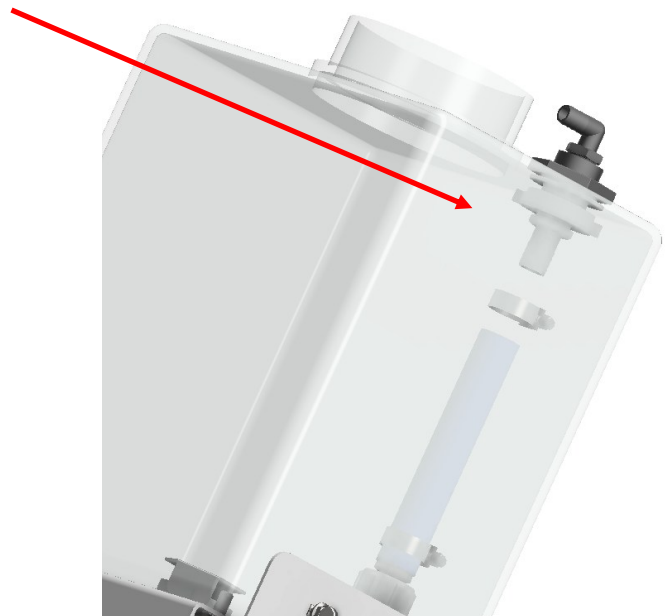
NOTICE

- *Use white lube on hose connections.*
- *Securely fasten all hoses with clamps.*

STEP 1: Reach through the lid opening & attach the straight fitting (S52015 provided with the kit) to the return bulkhead.



STEP 2: Drop the agitator assembly down through the lid opening & connect it to the fitting.



TANK AGITATOR ATTACHMENT INSTRUCTIONS

NOTES



Steel Green Mfg.
824 S State Road 39
Lebanon, IN 46052
(765)-481-2890
www.steelgreenmfg.com

MANUAL PART NO.	MANUAL REV.	DESCRIPTION	KIT PART NO.
SGM-048	1	TANK AGITATOR ATTACHMENT	K10039