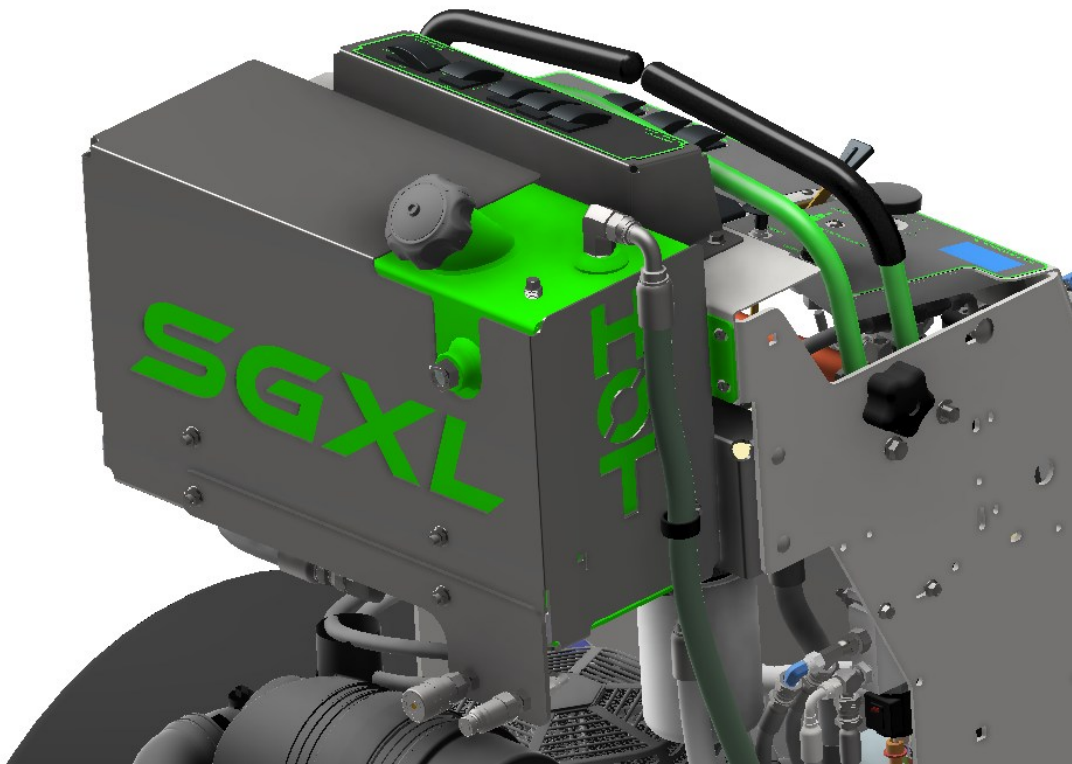


STEELGREEN MANUFACTURING™

INSTRUCTION MANUAL

HYDRAULIC OIL CHANGE

Models: SGXL

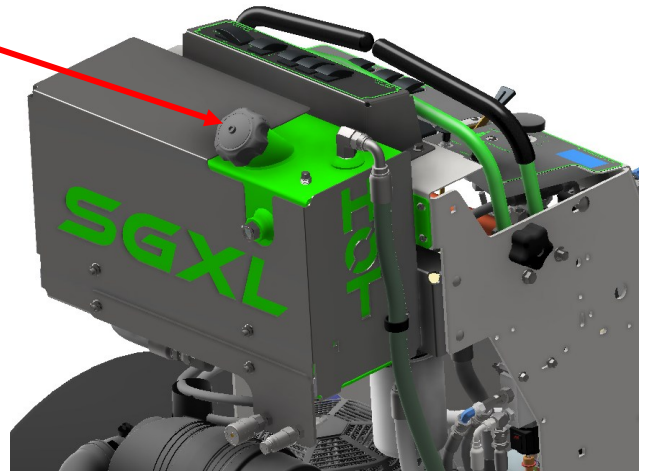


HYDRAULIC OIL CHANGE INSTRUCTIONS

STEP 1: Loosen and remove the fill cap.

NOTICE

Change hydraulic oil & filter every 500 hours with 5w50 full synthetic oil, API service classification SN, Resource conserving; ILSAC GF-5.



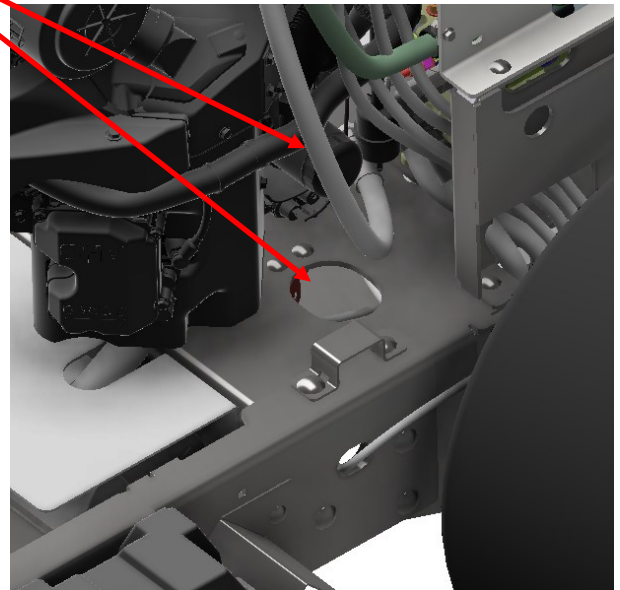
STEP 2:

- Locate the hydraulic oil drain hose & drop it down through the opening in the frame.
- Place the hose over a proper container, remove the plug to drain the engine oil.

CAUTION

The hydraulic tank holds 5 gallons of oil, so it may be necessary to stop the oil drain & empty the pan more than once.

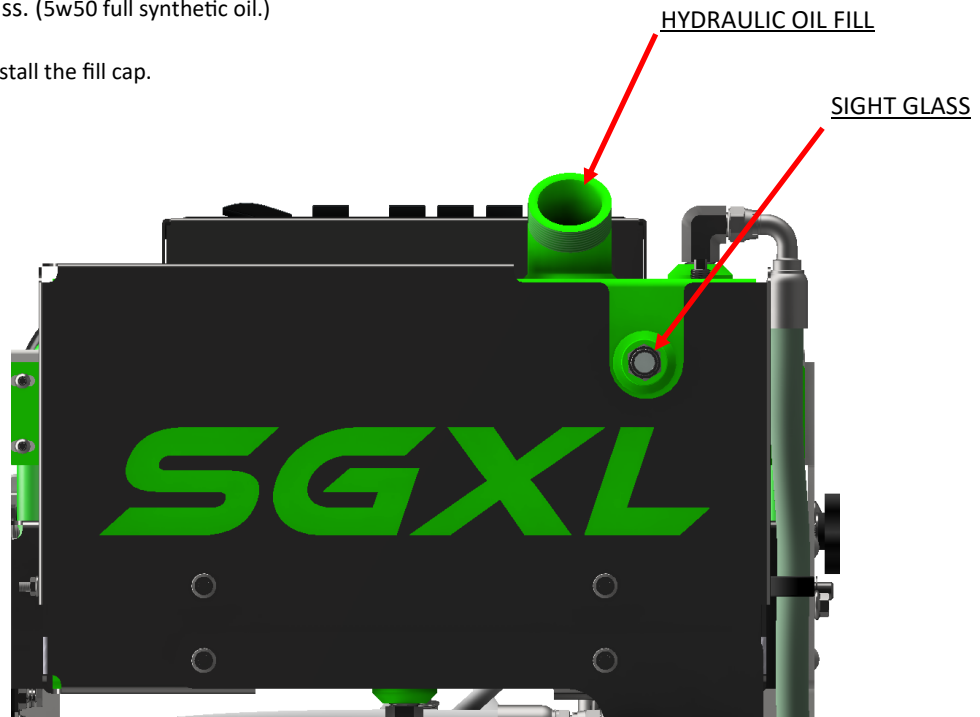
- Once the oil has been drained, reinstall the plug & place the hose back behind the engine.



HYDRAULIC OIL CHANGE INSTRUCTIONS

STEP 3:

- Refill the hydraulic oil tank until the oil appears at the bottom of the sight glass. (5w50 full synthetic oil.)
- Once the tank is full, reinstall the fill cap.





Steel Green Mfg.
824 S State Road 39
Lebanon, IN 46052
(765)-481-2890
www.steelgreenmfg.com

MANUAL PART NO.	MANUAL REV.	DESCRIPTION
SGM-045	2	SGXL HYDRAULIC OIL CHANGE