

# HILL SIDE ASSIST ATTACHMENT

PART NO. A10040

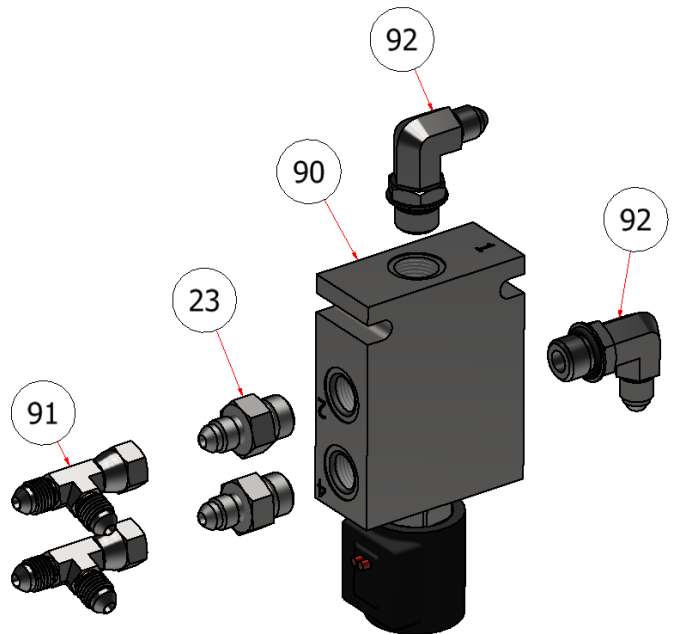
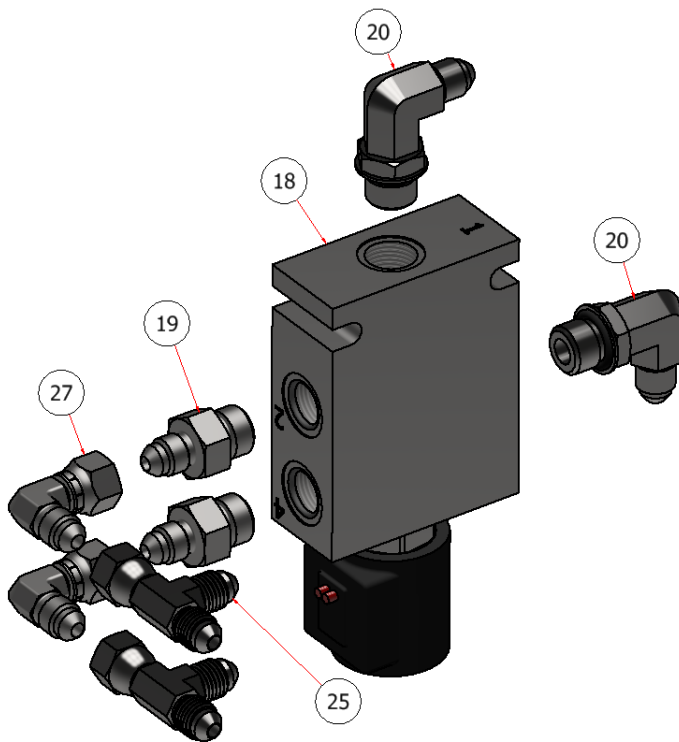
PART NO. A10040-36

SGATT-007 Rev. 2



## SG SERIES

## SG36 DUAL PUMP

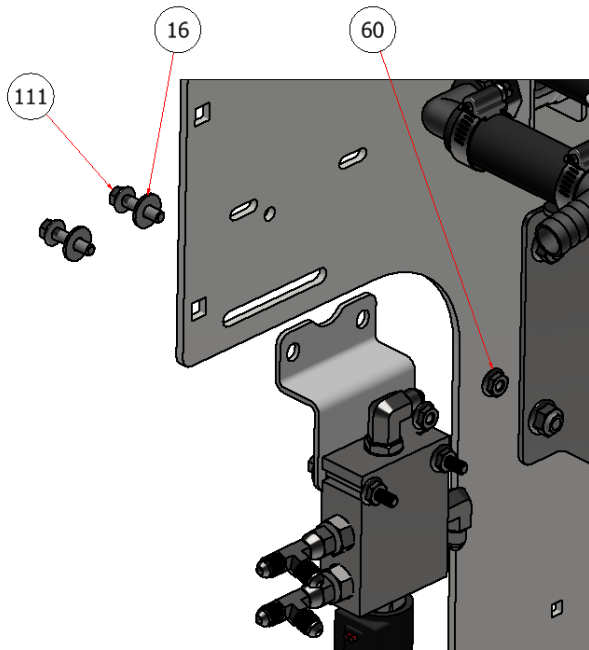


PARTS LIST SG36/42

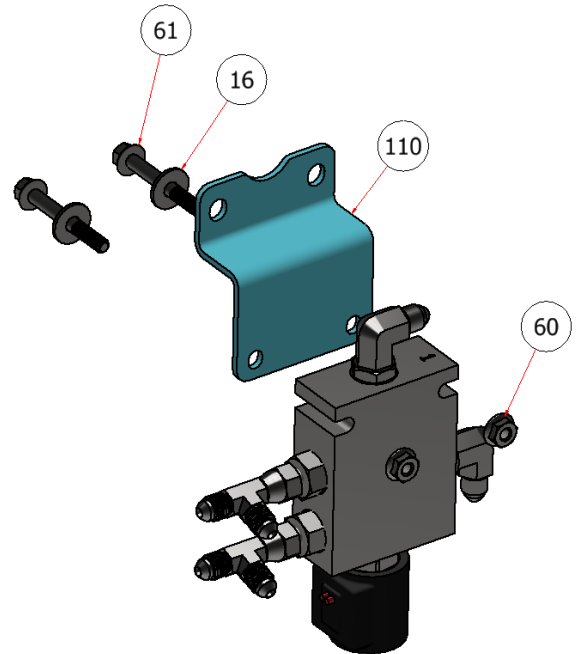
ITEM	QTY	PART NUMBER	DESCRIPTION
18	2	SSNNC-38	NYLOCK, SS - 3/8-16
19	1	R21-136	0.120 SS
20	1	H84028	TEE FITTING, 1/4 ORB X 1/4 MJIC
25	1	S51278	3/4" T-STRAINER, 50 MESH
27	1	C60336	DECAL, MAIN DASH

PARTS LIST SG46/52

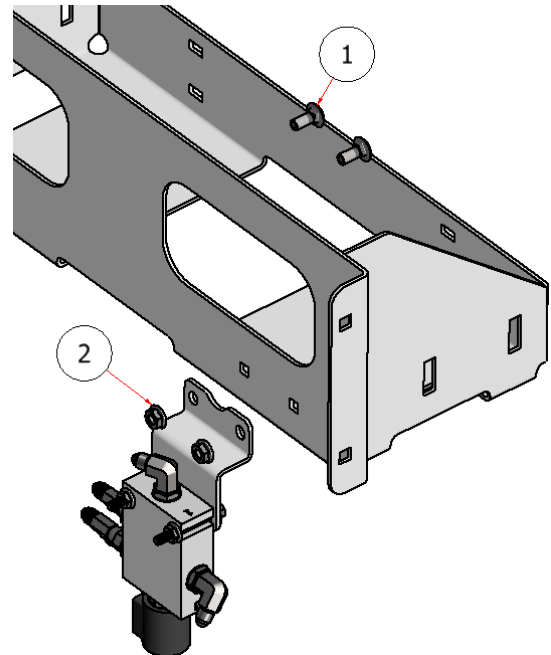
ITEM	QTY	PART NUMBER	DESCRIPTION
23	3	H84003	1/4 MALE JIC x 3/8 ORB STR
90	1	H80600	SOLENOID VALVE, CASTER LOCK
91	2	H84031	1/4 HOSE X 1/4 FEMALE JIC SWIVEL TEE
92	2	H84000	1/4 MALE JIC x 3/8 ORB ELB



PARTS LIST			
ITEM	QTY	PART NUMBER	DESCRIPTION
16	16	FWSS-14	FLAT WASHER, SS - 1/4
60	11	HFNCS-14S	HEX FLANGE NUT, 1/4
111	2	HFSSC-141	HEX FLANGE BOLT, 1/4 X 1



PARTS LIST			
ITEM	QTY	PART NUMBER	DESCRIPTION
16	16	FWSS-14	FLAT WASHER, SS - 1/4
60	11	HFNCS-14S	HEX FLANGE NUT, 1/4
61	4	HFSSC-142	HEX FLANGE BOLT, 1/4 X 2
110	1	R22-192	SG36 HSA HDCV MOUNT



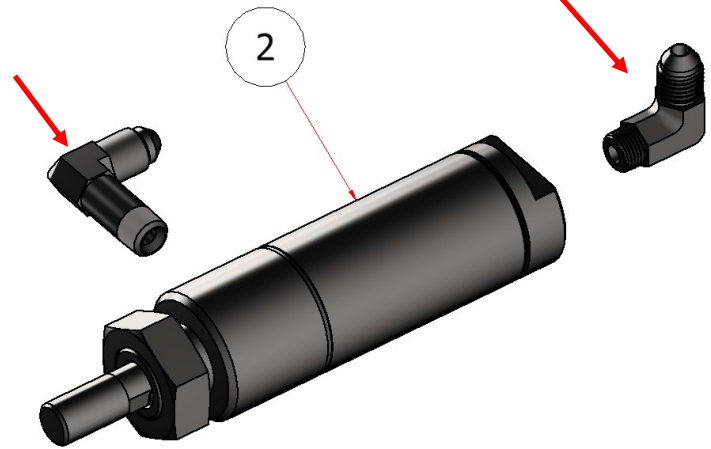
PARTS LIST			
ITEM	QTY	PART NUMBER	TITLE
1	2	CB-51634	CARRIAGE BOLT, SS - 5/16-18 x 3/4
2	2	HFNCS-516S	HEX FLANGE NUT, 5/16

## SG36 DUAL PUMP

SHORT FITTING

LONG FITTING

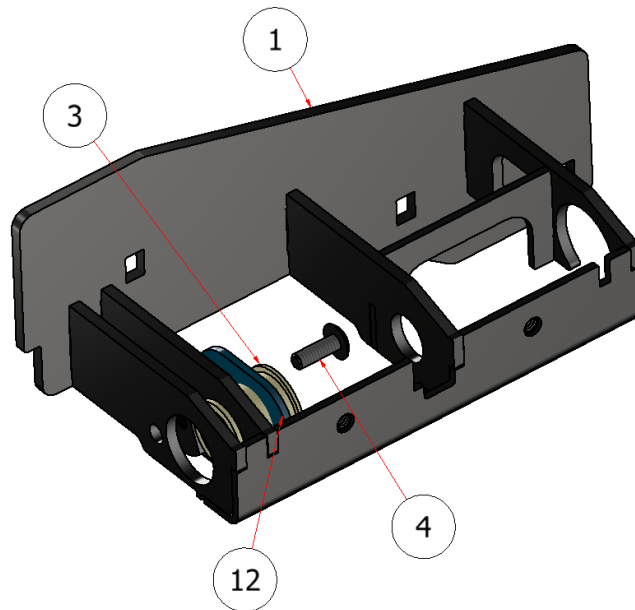
2



**NOTE:** Fittings are included with hill side assist kit K1003.

PARTS LIST

ITEM	QTY	PART NUMBER	DESCRIPTION
2	1	H80601	HYDRAULIC CYLINDER, HSA



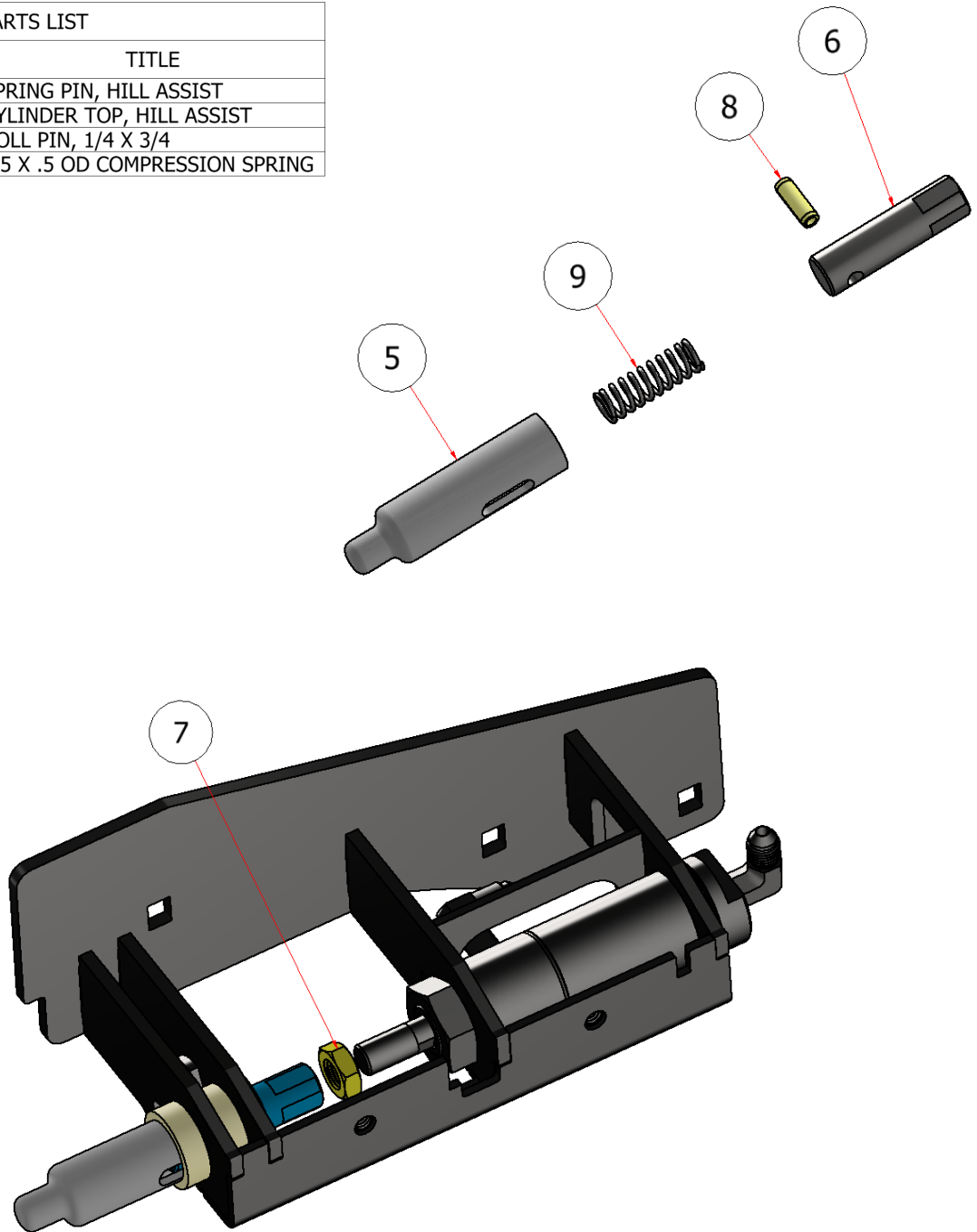
PARTS LIST

ITEM	QTY	PART NUMBER	DESCRIPTION
3	1	6389K557	7/8" NYLON SLEEVE, BEARING, STRAIGHT STEER
4	1	TRPC-1434S	PHILLIPS PAN HEAD SCREW, SS - 1/4-20 x 3/4
12	1	R22-214	BUSHING BRACKET, HSA, SG SERIES

PARTS LIST

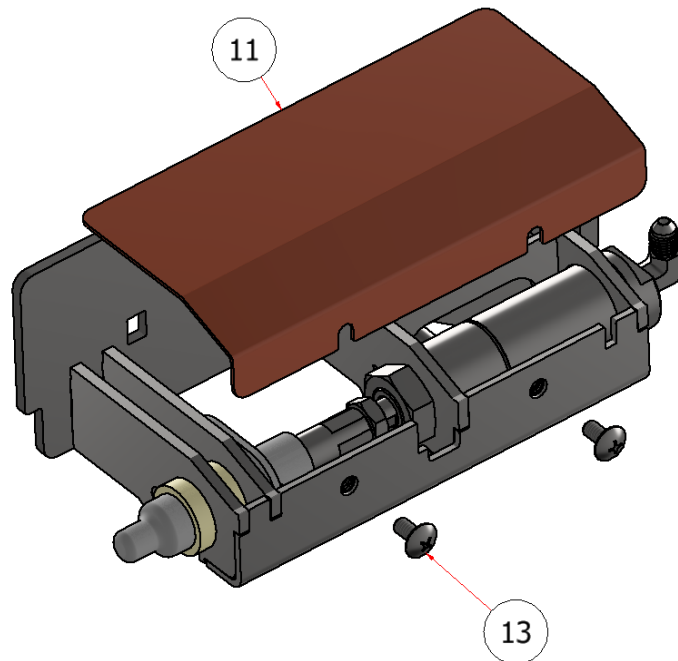
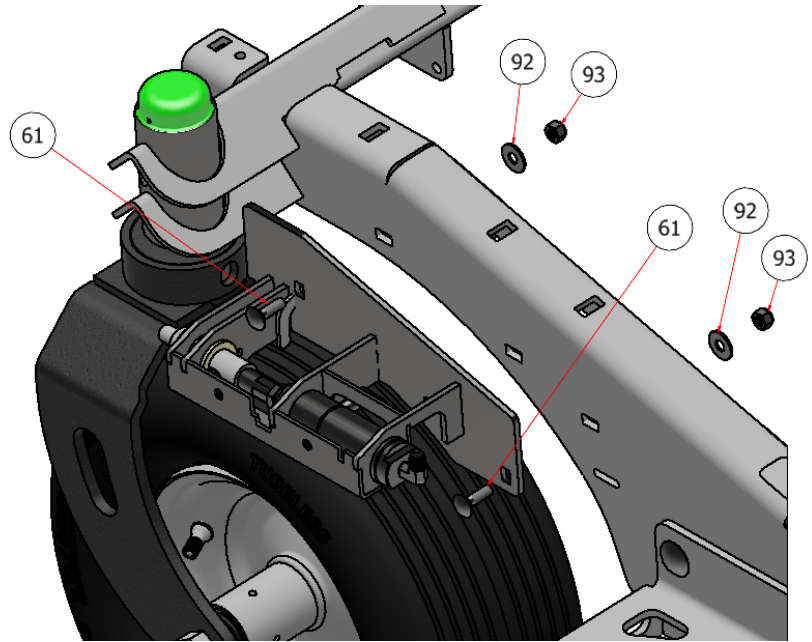
ITEM	QTY.	PART NUMBER	DESCRIPTION
1	1	W22-141-L	MOUNTING BRACKET, HSA,LEFT, SG46/52
	1	W22-141-R	MOUNTING BRACKET, HSA,RIGHT, SG46/52
	1	W22-154-L	MOUNTING BRACKET, HSA,LEFT, SG36/42
	1	W22-154-R	MOUNTING BRACKET, HSA,RIGHT, SG36/42

PARTS LIST			
ITEM	QTY	PART NUMBER	TITLE
5	1	R31027	SPRING PIN, HILL ASSIST
6	1	R31029	CYLINDER TOP, HILL ASSIST
8	1	92373A365	ROLL PIN, 1/4 X 3/4
9	1	965K352	1.5 X .5 OD COMPRESSION SPRING



PARTS LIST			
ITEM	QTY	PART NUMBER	DESCRIPTION
7	1	91847A515	7/16-20 JAM NUT

PARTS LIST			
ITEM	QTY	PART NUMBER	DESCRIPTION
61	8	CB-5161SS	CARRIAGE BOLT, SS - 5/16-18 x 1
92	4	FWSS-516	FLAT WASHER, 5/16
93	4	SSNC-516	5/16" NUT, NYLOCK



PARTS LIST			
ITEM	QTY	PART NUMBER	DESCRIPTION
11	1	R22-157	SAFETY SHIELD, HSA
13	2	TRPC-145S	SCREW, PHILLIPS, SS - 1/4-20 x 1/2