

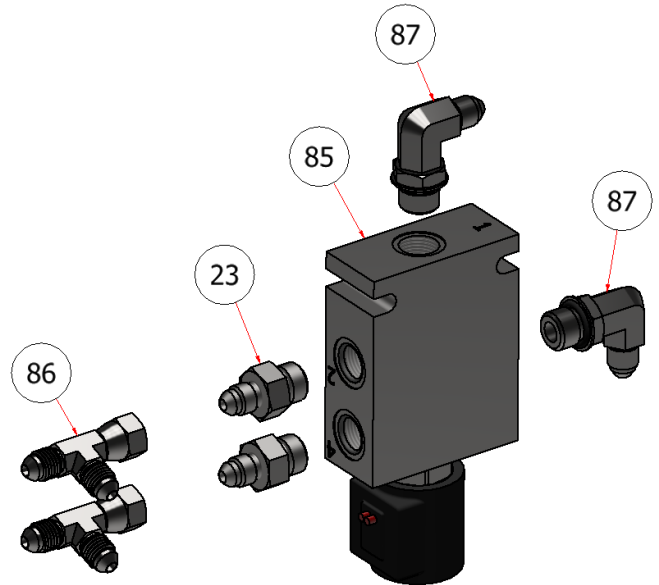
HILL SIDE ASSIST ATTACHMENT

PART NO. A10040

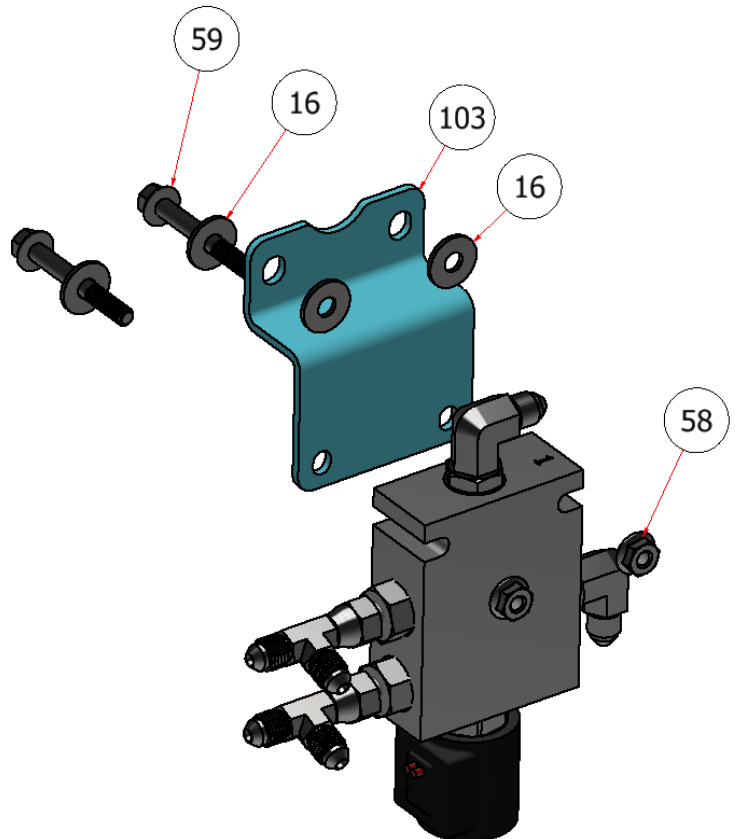
PART NO. A10040-36

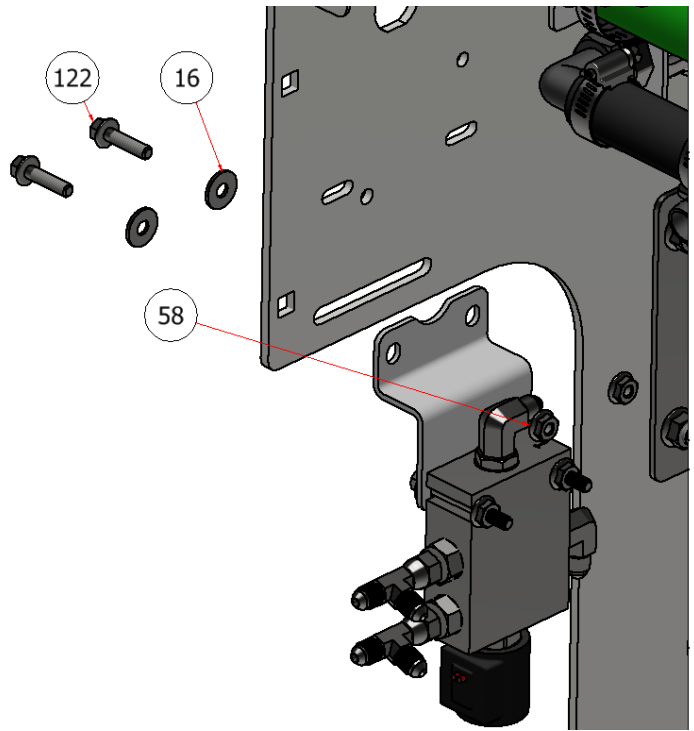
SGATT-007 Rev. 3

PARTS LIST			
ITEM	QTY	PART NUMBER	TITLE
23	3	H84003	1/4" MALE JIC X 3/8" ORB STG
85	1	H80600	SOLENOID VALVE, CASTER LOCK
86	2	H84031	1/4 HOSE X 1/4 FEMALE JIC SWIVEL TEE
87	2	H84000	1/4 MALE JIC x 3/8 ORB ELB



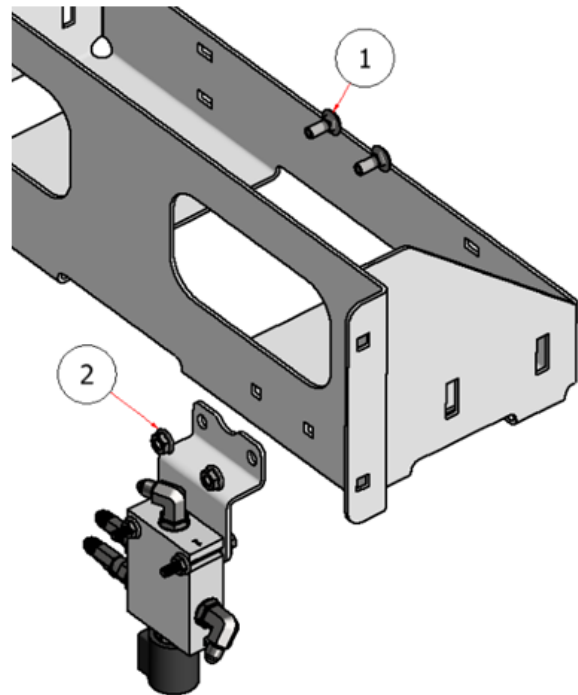
PARTS LIST			
ITEM	QTY	PART NUMBER	TITLE
16	16	FWSS-14	FLAT WASHER, SS - 1/4
58	11	HFNCS-14S	HEX NUT, 1/4
59	4	HFSSC-142	HEX FLANGE BOLT, 1/4 X 2
103	1	R22-192	SG36 HSA HDCV MOUNT

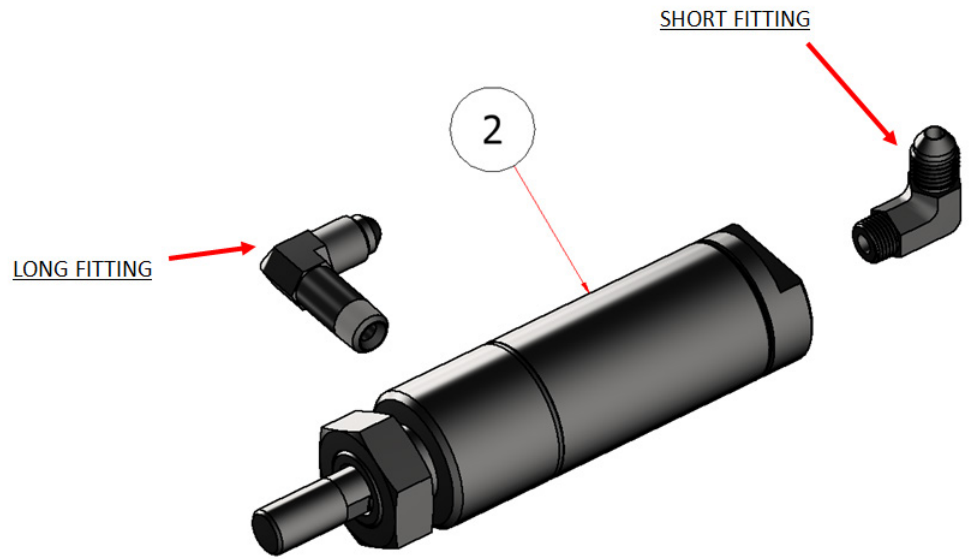




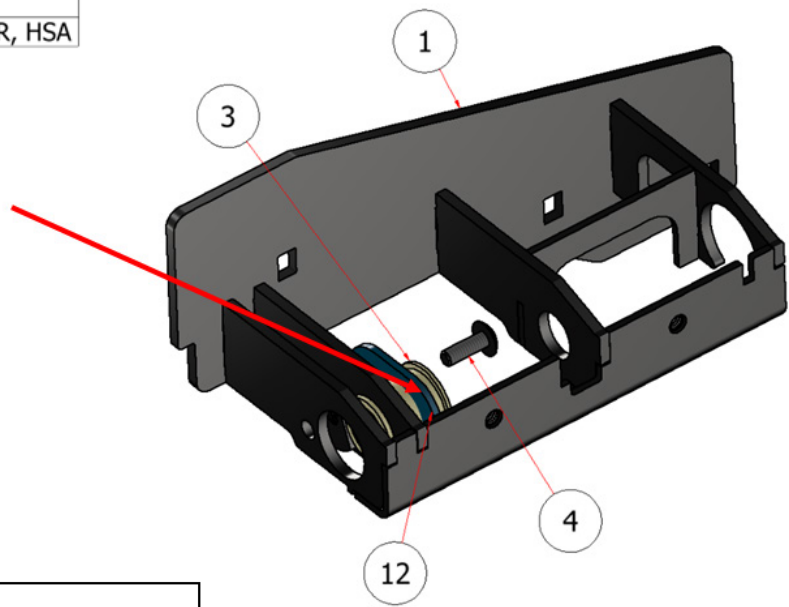
PARTS LIST			
ITEM	QTY	PART NUMBER	TITLE
16	16	FWSS-14	FLAT WASHER, SS - 1/4
58	11	HFNCS-14S	HEX NUT, 1/4
122	2	HFSSC-141	HEX FLANGE BOLT, 1/4 X 1

PARTS LIST			
ITEM	QTY	PART NUMBER	TITLE
1	2	CB-51634	CARRIAGE BOLT, SS - 5/16-18 x 3/4
2	2	HFNCS-516S	HEX FLANGE NUT, 5/16



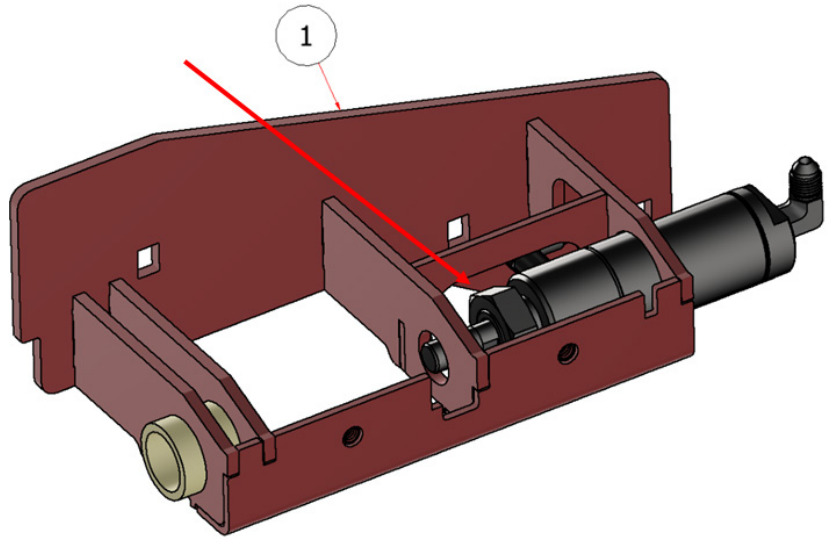


PARTS LIST			
ITEM	QTY	PART NUMBER	DESCRIPTION
2	1	H80601	HYDRAULIC CYLINDER, HSA

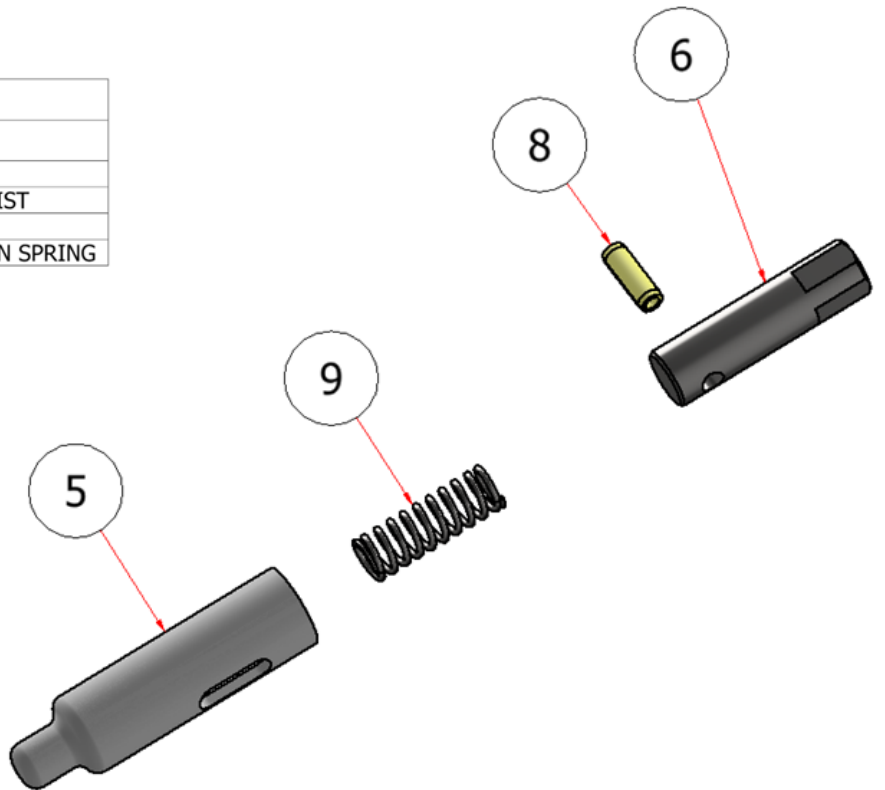


PARTS LIST			
ITEM	QTY.	PART NUMBER	DESCRIPTION
1	1	W22-141-L	MOUNTING BRACKET, HSA,LEFT, SG46/52
	1	W22-141-R	MOUNTING BRACKET, HSA,RIGHT, SG46/52
	1	W22-154-L	MOUNTING BRACKET, HSA,LEFT, SG36/42
	1	W22-154-R	MOUNTING BRACKET, HSA,RIGHT, SG36/42

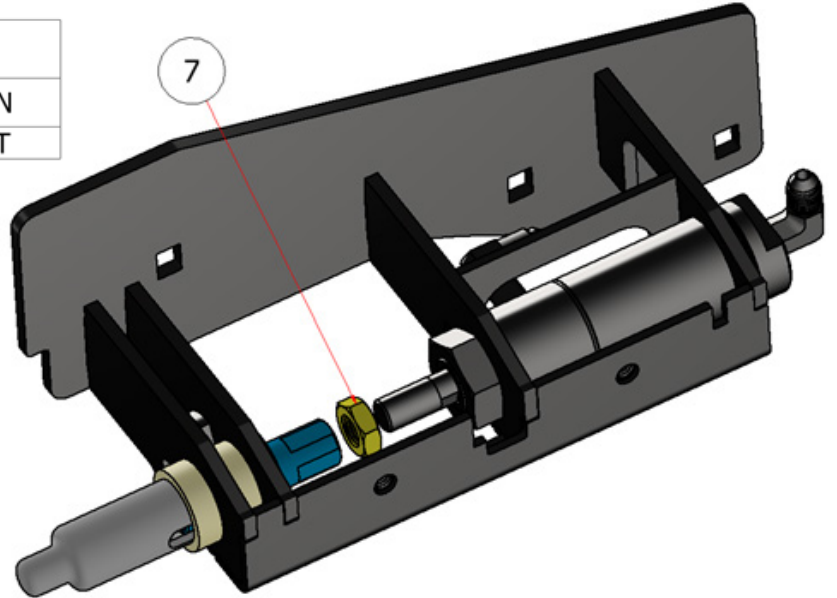
PARTS LIST			
ITEM	QTY	PART NUMBER	DESCRIPTION
3	1	6389K557	7/8" NYLON SLEEVE, BEARING, STRAIGHT STEER
4	1	TRPC-1434S	PHILLIPS PAN HEAD SCREW, SS - 1/4-20 x 3/4
12	1	R22-214	BUSHING BRACKET, HSA, SG SERIES



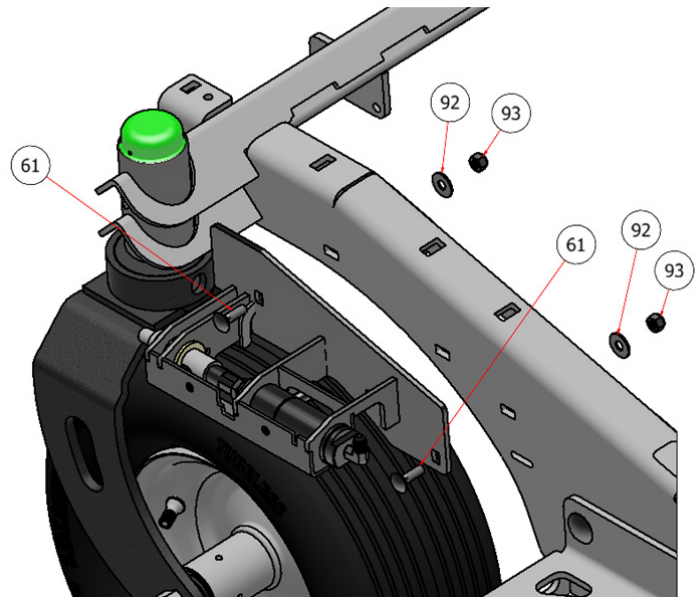
PARTS LIST			
ITEM	QTY	PART NUMBER	TITLE
5	1	R31027	SPRING PIN, HILL ASSIST
6	1	R31029	CYLINDER TOP, HILL ASSIST
8	1	92373A365	ROLL PIN, 1/4 X 3/4
9	1	965K352	1.5 X .5 OD COMPRESSION SPRING

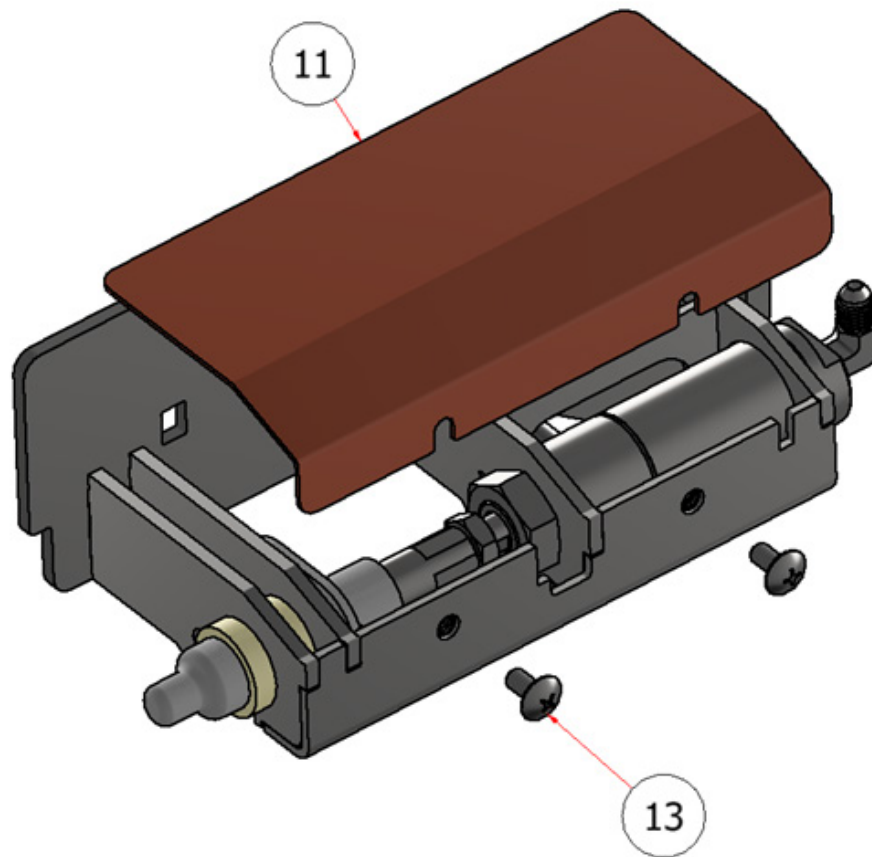


PARTS LIST			
ITEM	QTY	PART NUMBER	DESCRIPTION
7	1	91847A515	7/16-20 JAM NUT



PARTS LIST			
ITEM	QTY	PART NUMBER	DESCRIPTION
61	8	CB-5161SS	CARRIAGE BOLT, SS - 5/16-18 x 1
92	4	FWSS-516	FLAT WASHER, 5/16
93	4	SSNC-516	5/16" NUT, NYLOCK





PARTS LIST			
ITEM	QTY	PART NUMBER	DESCRIPTION
11	1	R22-157	SAFETY SHIELD, HSA
13	2	TRPC-145S	SCREW, PHILLIPS, SS - 1/4-20 x 1/2