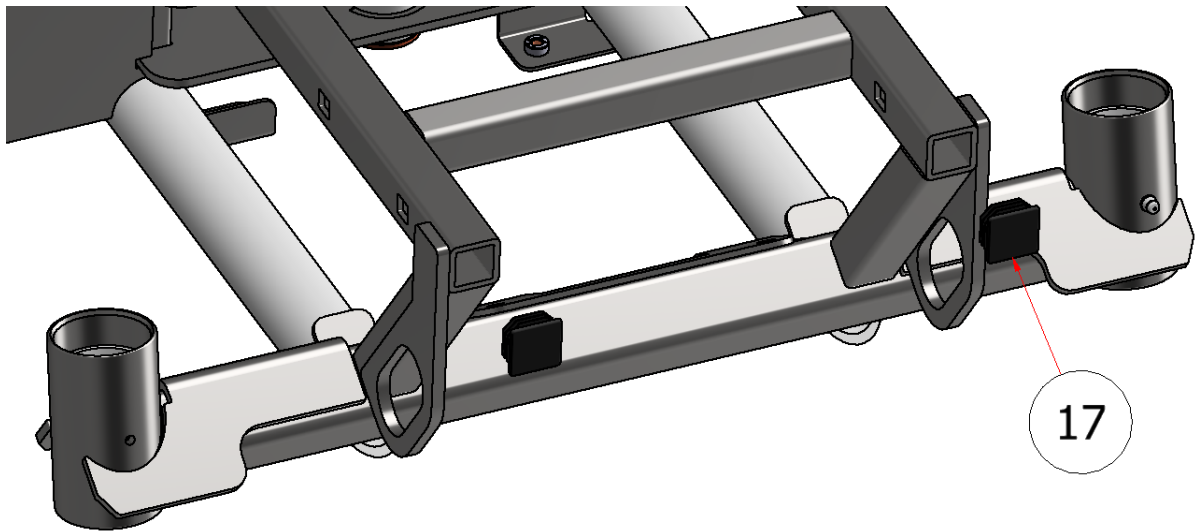
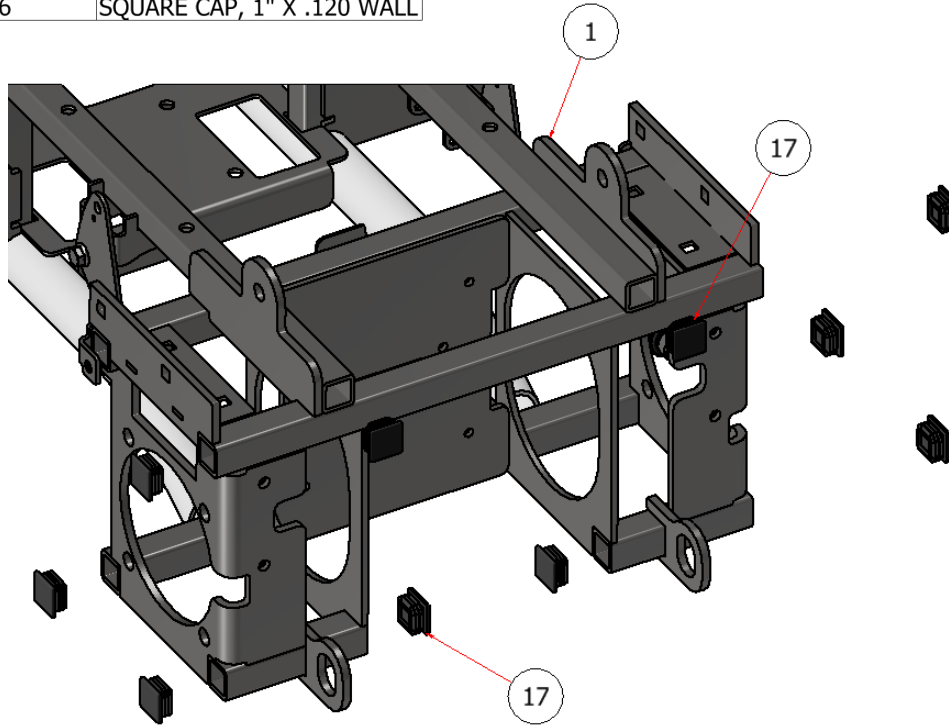


CHASSIS ASSEMBLY

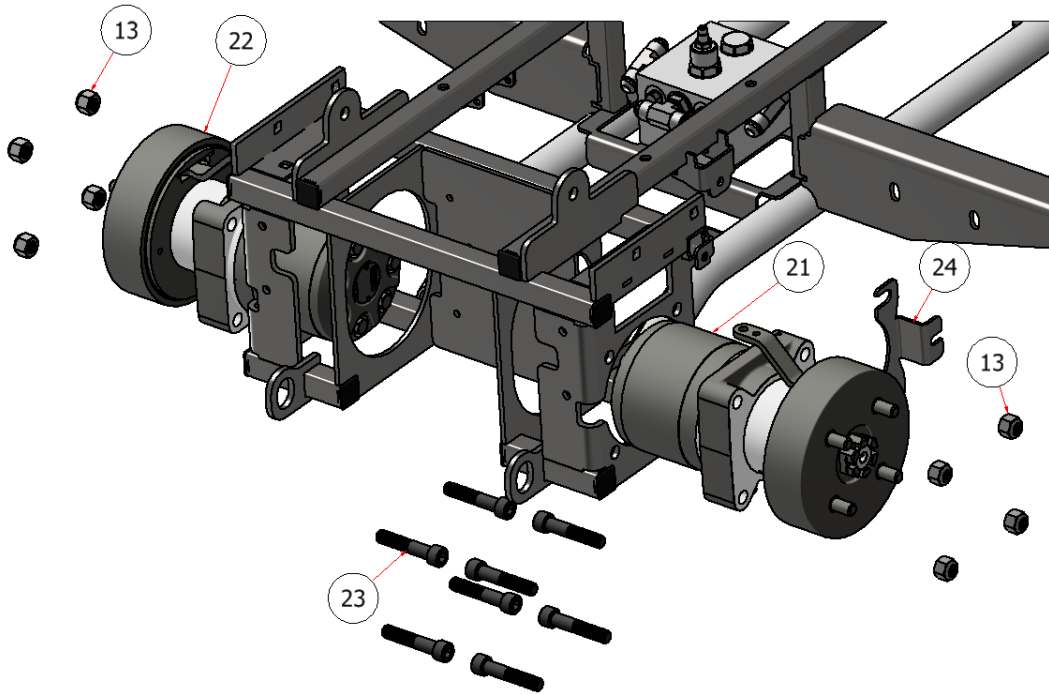
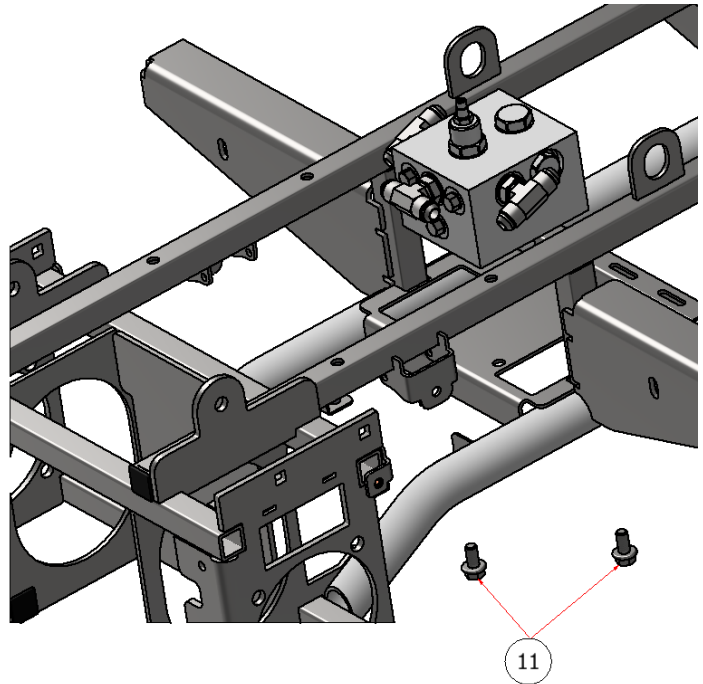
DRAWING NO. SGLEV-003 REV. 1

STEELGREEN MANUFACTURING™

PARTS LIST			
ITEM	QTY	PART NUMBER	TITLE
1	1	W27-167	CHASSIS, SGL
17	16	C60216	SQUARE CAP, 1" X .120 WALL

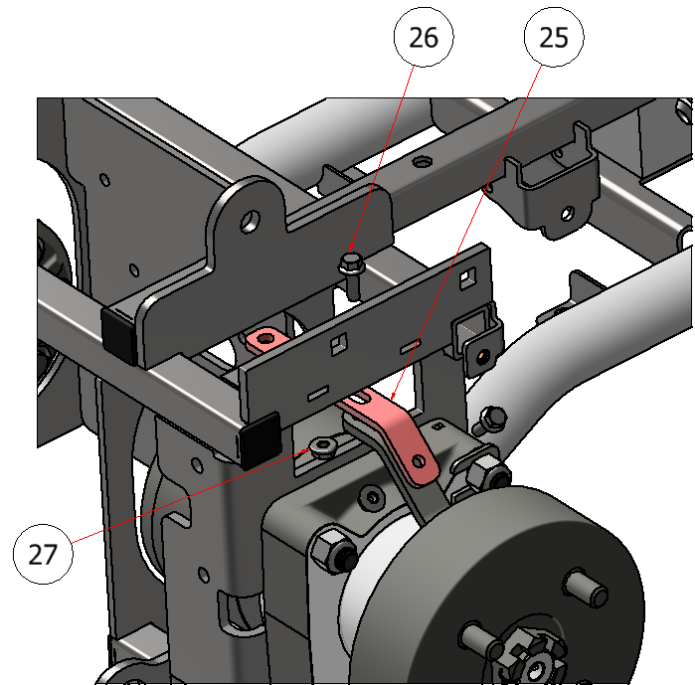


PARTS LIST			
ITEM	QTY	PART NUMBER	TITLE
11	2	HFSSC-3875	HEX BOLT, 3/8 X 3/4

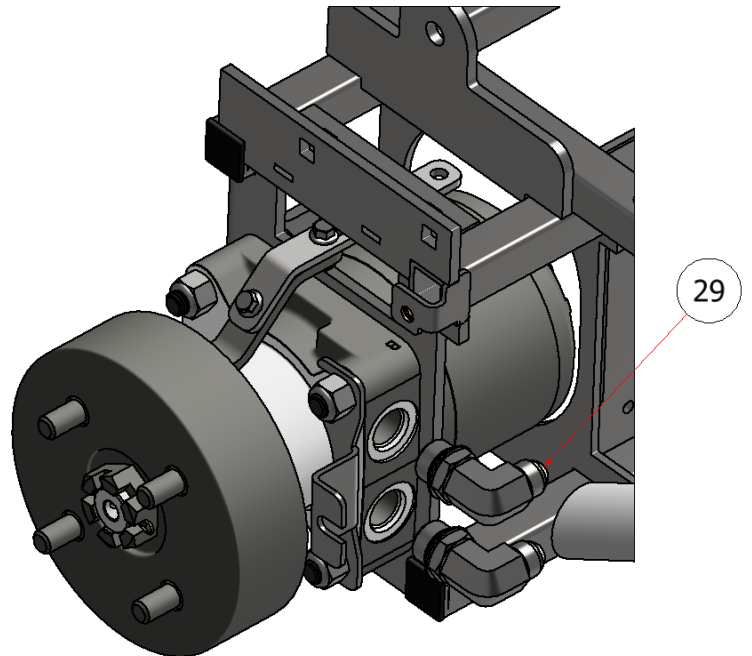


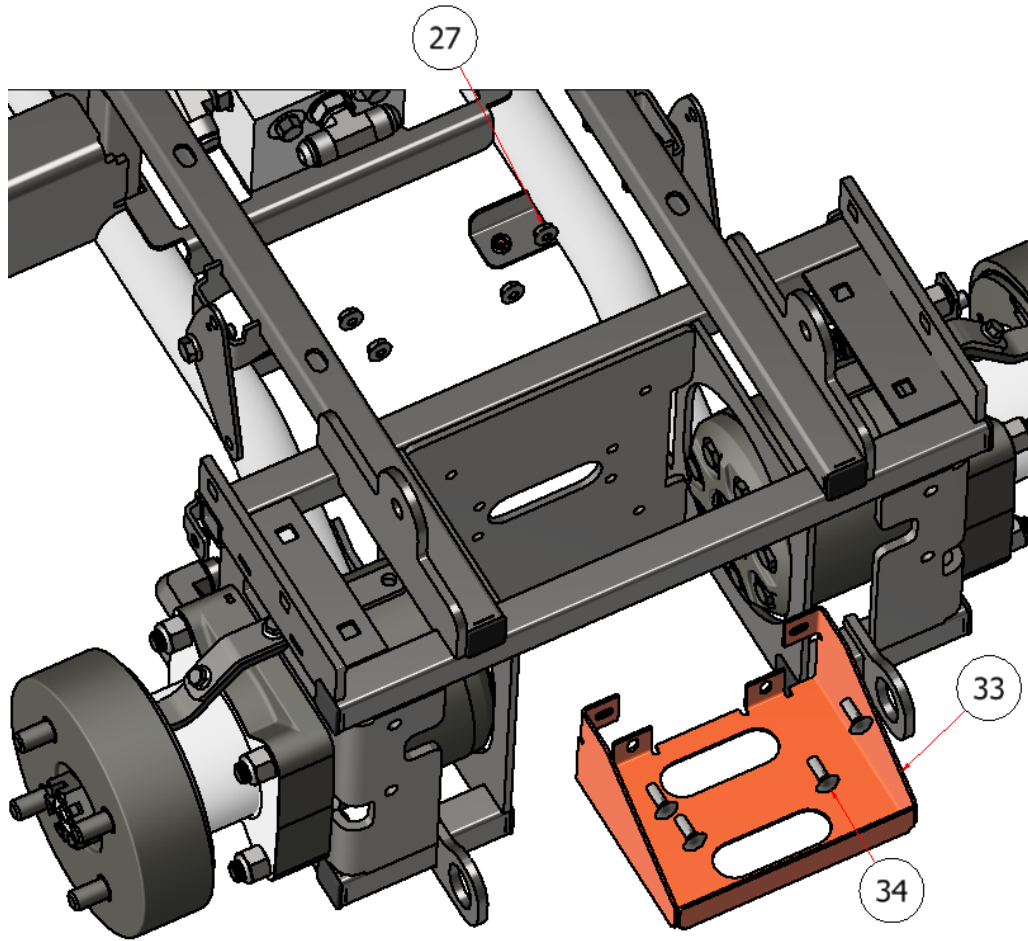
PARTS LIST			
ITEM	QTY	PART NUMBER	TITLE
13	11	SSNNC-12	NYLOCK, SS - 1/2-13
21	1	H80406	WHEEL MOTOR, SG46/52, RIGHT
22	1	H80407	WHEEL MOTOR, SG46/52, LEFT
23	8	SHCS-12212	SOCKET HEAD CAP SCREW, SS - 1/2 x 2 1/2
24	1	R21-055	SG SPEEDOMETER SENSOR MOUNT

PARTS LIST			
ITEM	QTY	PART NUMBER	TITLE
25	2	R27-148	SGL BRAKE LEVER
26	4	HFSSC-1475	HEX FLANGE BOLT, 1/4 X 3/4
27	4	HFNC5-14S	HEX NUT, 1/4



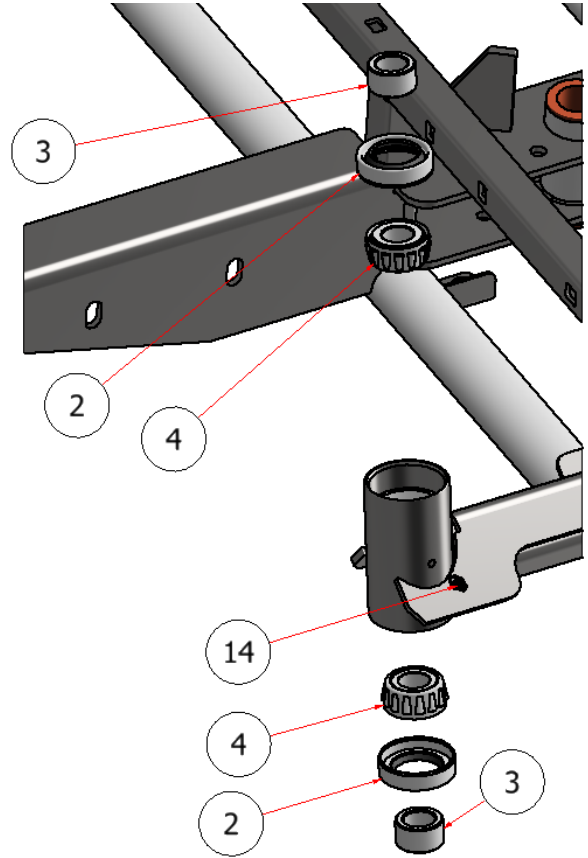
PARTS LIST			
ITEM	QTY	PART NUMBER	TITLE
29	4	H84016	8MJIC-10MORB-90DEG



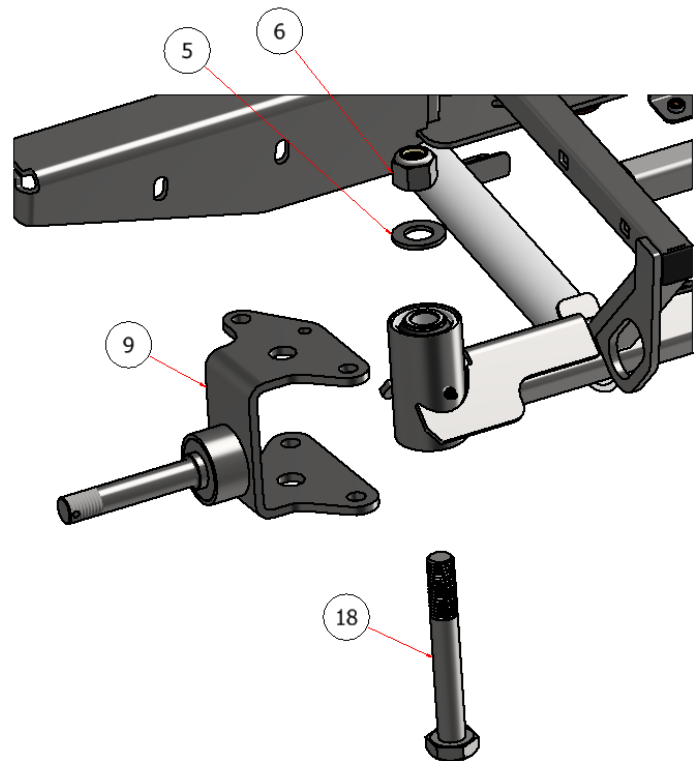


PARTS LIST

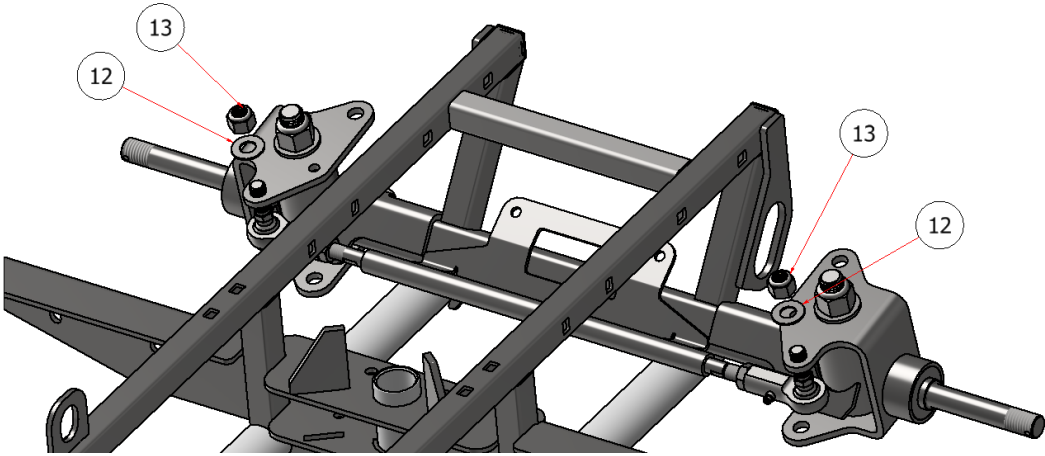
ITEM	QTY	PART NUMBER	TITLE
27	8	HFNCS-14S	HEX NUT, 1/4
33	1	W27-170	BATTERY SUPPORT, SGL
34	4	CB-2575SS	CARRIAGE BOLT, 1/4" X 3/4" SS



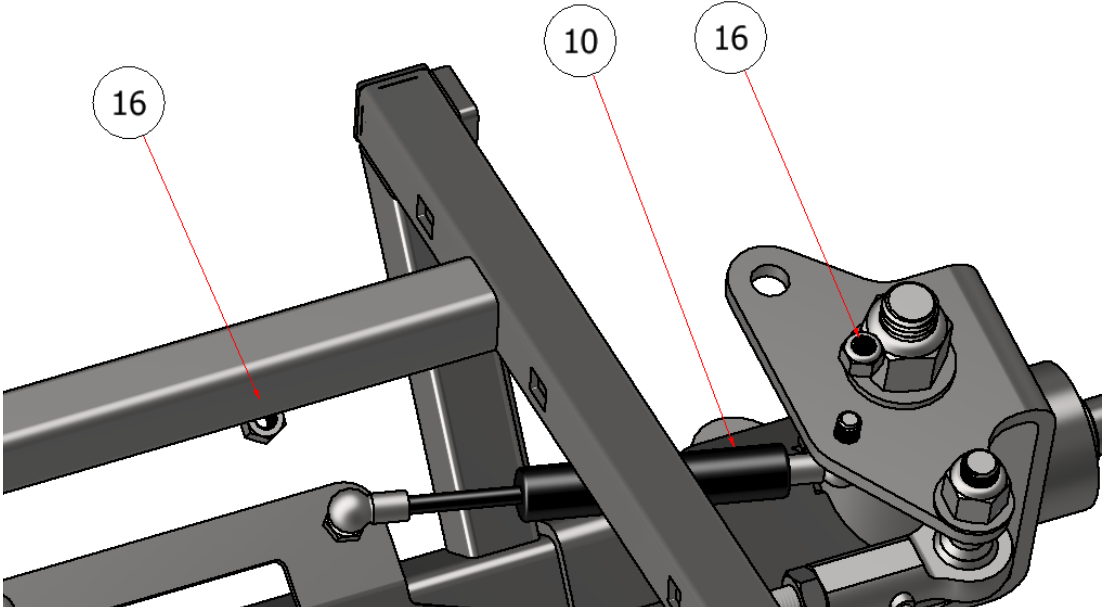
PARTS LIST			
ITEM	QTY	PART NUMBER	TITLE
2	4	T90311	SEAL, SGL
3	4	T90315	BUSHING, FRONT WHEEL
4	4	5709K77	ROLLER BEARING, TAPERD, FRONT WHEEL
14	3	6F-316D	GREASE FITTING



PARTS LIST			
ITEM	QTY	PART NUMBER	TITLE
5	2	FWSS-34	FLAT WASHER, SS - 3/4
6	2	SSNNC-34	NYLOCK, SS - 3/4-10
9	1	W27-035	STEERING KNUCKLE, SGL, RIGHT
18	2	HHSC-75512	HEX BOLT, HEAVY, 3/4" X 5-1/2"

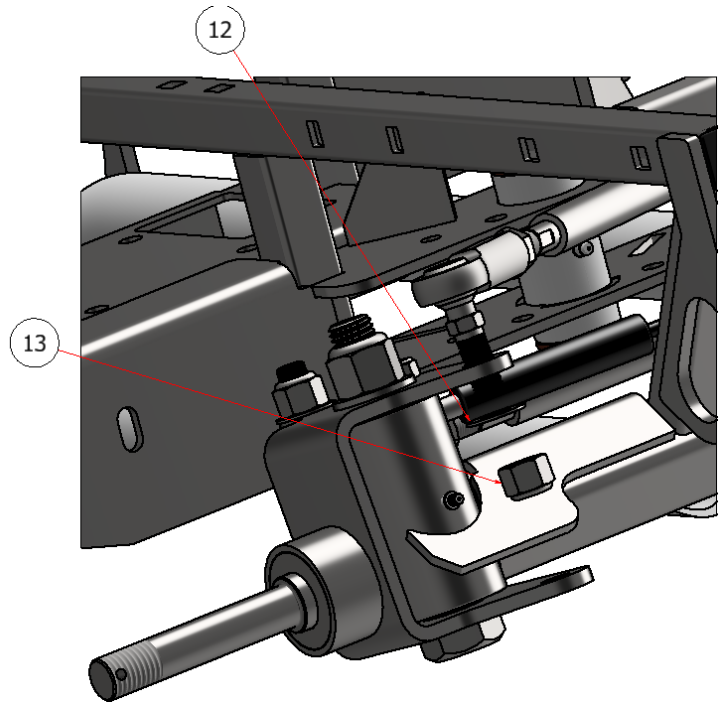


PARTS LIST			
ITEM	QTY	PART NUMBER	TITLE
12	6	FWSS-12	FLAT WASHER SAE, SS - 1/2
13	6	SSNNC-12	NYLOCK, SS - 1/2-13

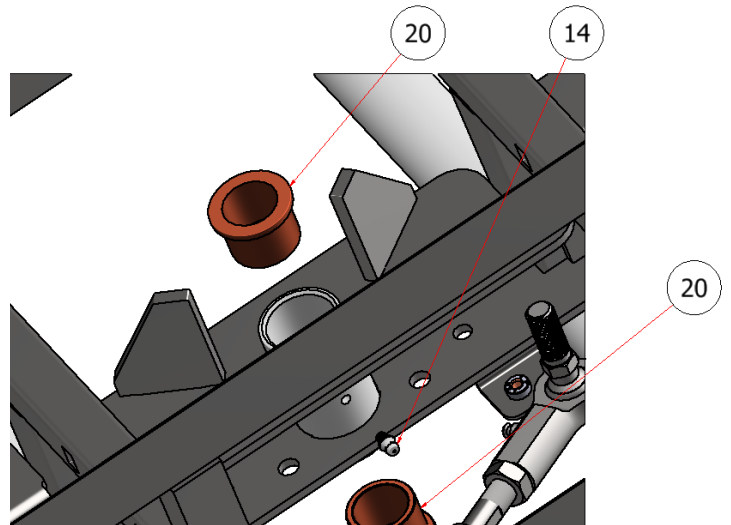


PARTS LIST			
ITEM	QTY	PART NUMBER	TITLE
10	4	4138T525	GAS SPRING
16	6	SSNC-516	5/16" NUT, NYLOCK

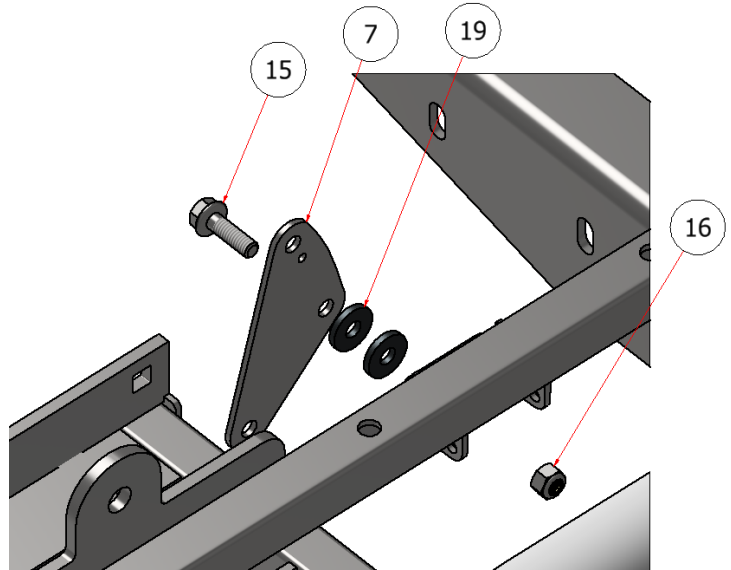
PARTS LIST			
ITEM	QTY	PART NUMBER	TITLE
12	6	FWSS-12	FLAT WASHER SAE, SS - 1/2
13	6	SSNNC-12	NYLOCK, SS - 1/2-13



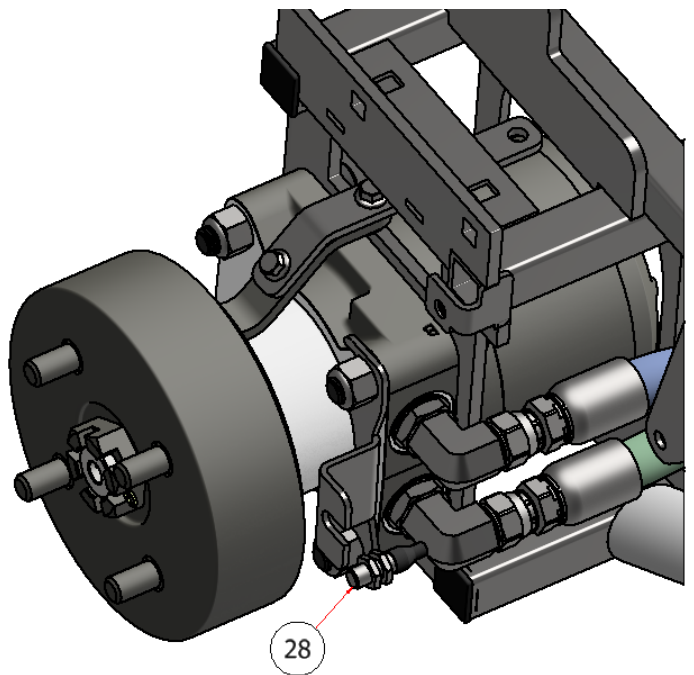
PARTS LIST			
ITEM	QTY	PART NUMBER	TITLE
14	3	6F-316D	GREASE FITTING
20	2	2938T26	SLEEVE BEARING, 50 MM SHAFT

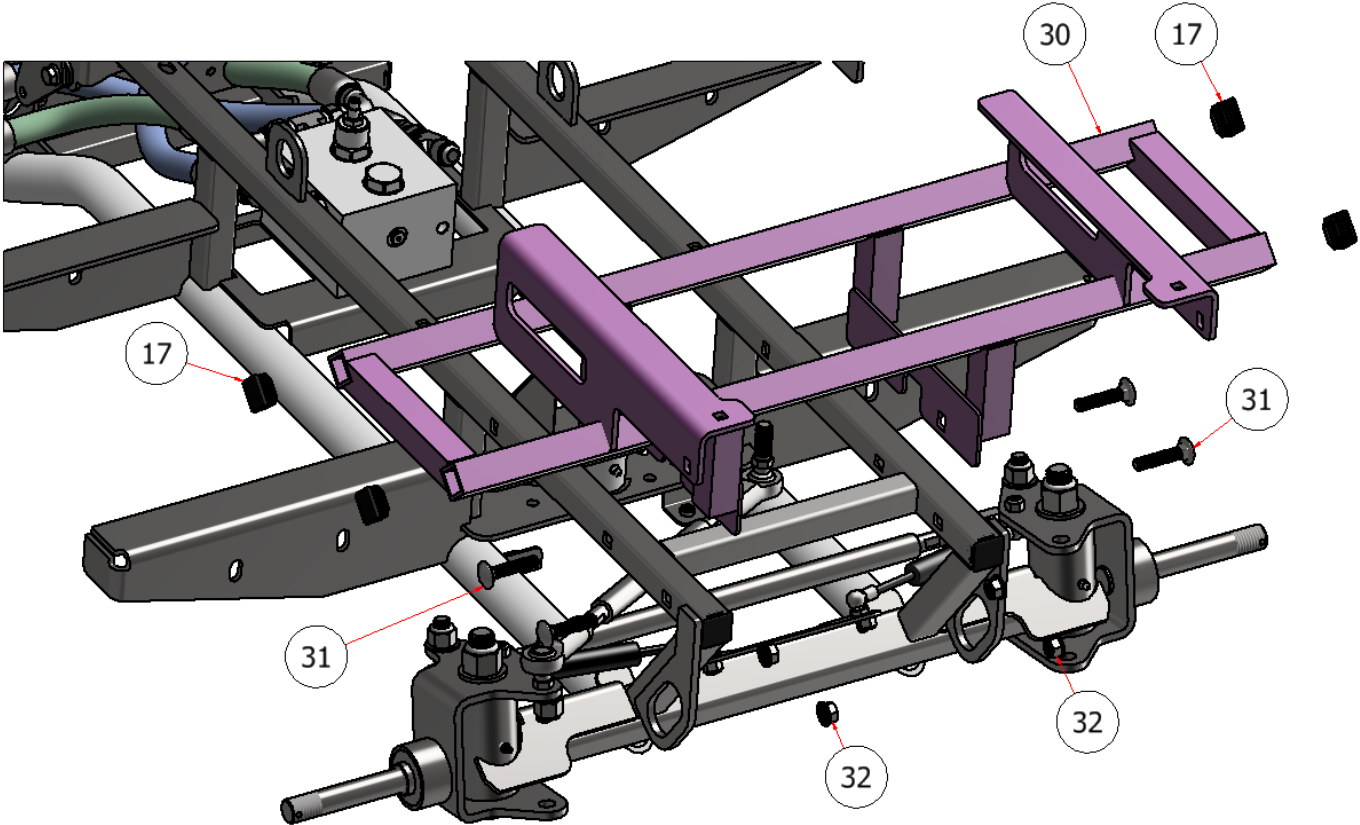


PARTS LIST			
ITEM	QTY	PART NUMBER	TITLE
7	2	R27-065	SGL BRAKE LINKAGE PIVOT
15	2	HFSSC-3131	HEX FLANGE BOLT, SS - 5/16 X 1
16	6	SSNC-516	5/16" NUT, NYLOCK
19	4	NFW-516B	FLAT WASHER, 5/16, PLASTIC



PARTS LIST			
ITEM	QTY	PART NUMBER	TITLE
28	1	E41002	SPEED SENSOR





PARTS LIST

ITEM	QTY	PART NUMBER	TITLE
17	16	C60216	SQUARE CAP, 1" X .120 WALL
30	1	W27-182	SUPPORT FRAME, HOPPER, SGL
31	4	CB-38175SS	CARRIAGE BOLT, 3/8" X 1-3/4" SS
32	4	HFNC3-375S	HEX FLANGE NUT, 3/8