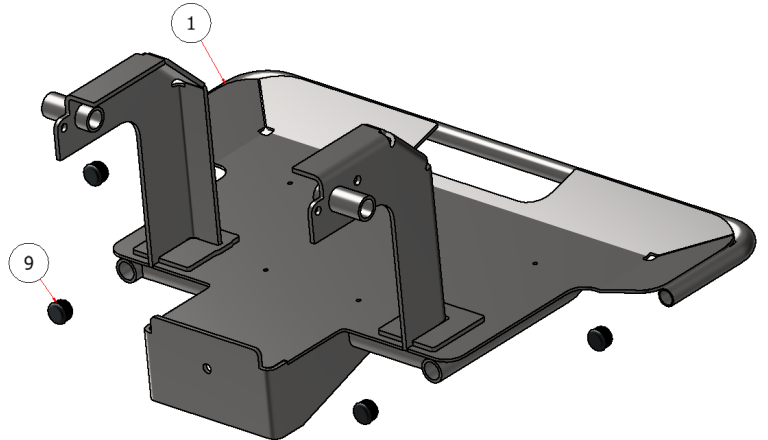


FOOT BOARD SUB-ASSY.

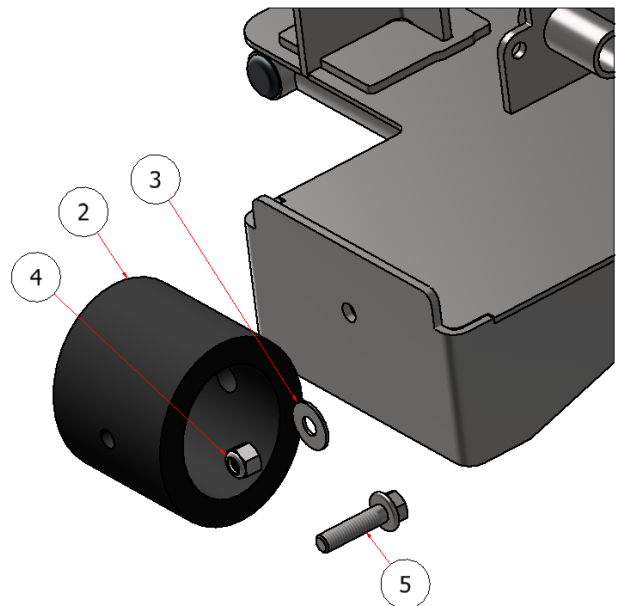
DRAWING NO. SGLEV-011 REV. 1



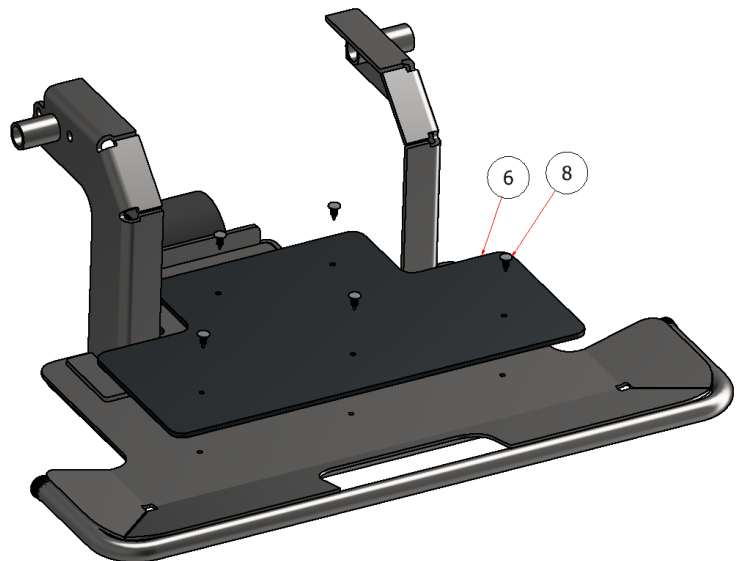
PARTS LIST			
ITEM	QTY	PART NUMBER	TITLE
1	1	W27-067	FOOT PLATE, SGL
9	4	C60217	ROUND PLUG, SNAP-IN, I.D. .61 - .7



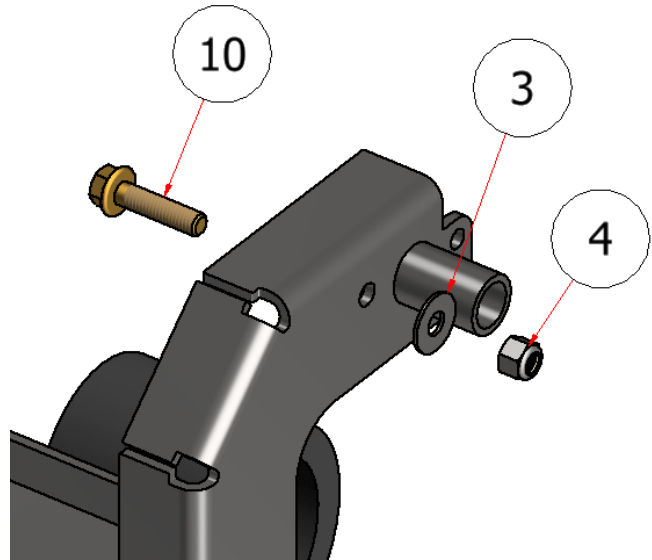
PARTS LIST			
ITEM	QTY	PART NUMBER	TITLE
2	1	9724K35	SPRING, COMPRESSION
3	2	FWSS-38	FLAT WASHER, SS - 3/8
4	2	SSNNC-38	NYLOCK, SS - 3/8-16
5	1	HFSSC-3815	HEX FLANGE BOLT, 3/8 X 1.5



PARTS LIST			
ITEM	QTY	PART NUMBER	TITLE
6	1	C60394	SGL FOOTPAD
8	5	C60302	PIN, FOOT BOARD CUSHION



PARTS LIST			
ITEM	QTY	PART NUMBER	TITLE
3	2	FWSS-38	FLAT WASHER, SS - 3/8
4	2	SSNNC-38	NYLOCK, SS - 3/8-16
10	1	HHCSC8-38112	HEX FLANGE BOLT, 3/8 X 1.5, GRADE 8



PARTS LIST			
ITEM	QTY	PART NUMBER	TITLE
7	4	C60303	BUSHING, JOY STICK

