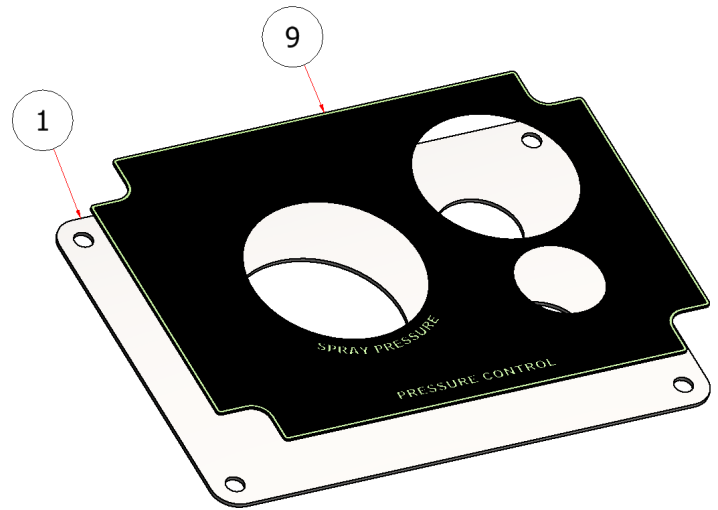


SPRAY PRESSURE PANEL SUB-ASSY.

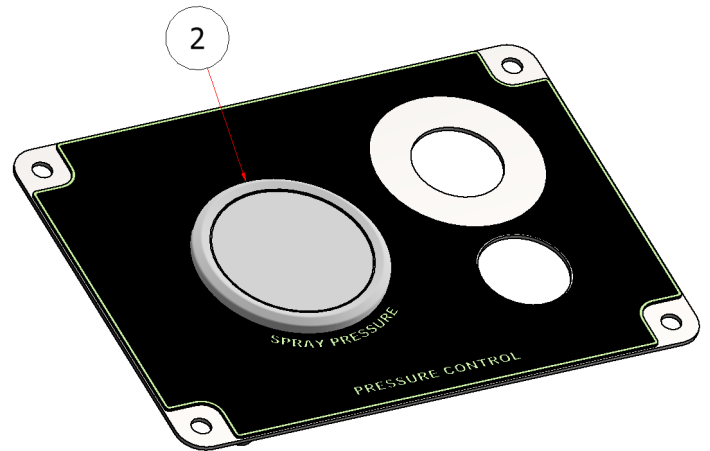
DRAWING NO. SGLEV-014 REV. 1



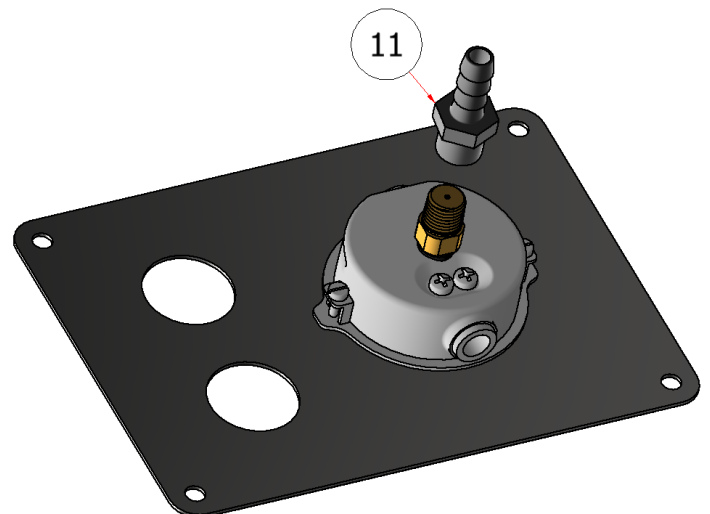
PARTS LIST			
ITEM	QTY	PART NUMBER	TITLE
1	1	R27-157	SGL SPRAY PANEL COVER
9	1	C60441	DECAL, PRESSURE GAUGE, SGL



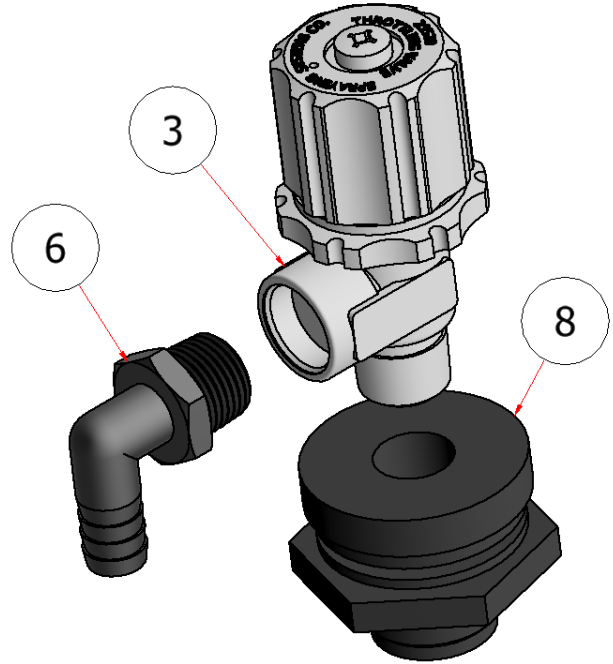
PARTS LIST			
ITEM	QTY	PART NUMBER	TITLE
2	1	S51235-D	PRESSURE GAUGE, 100PSI



PARTS LIST			
ITEM	QTY	PART NUMBER	TITLE
11	1	S52055	FITTING, BARB, 1/4" FNPT X 3/8" BARB



PARTS LIST			
ITEM	QTY	PART NUMBER	TITLE
3	1	S51283-12	TEEJET 1/2" THROTTLE VALVE
6	1	S52025	1/2 MPT X 1/2 BARB
8	1	S51241	BULKHEAD, 1/2



PARTS LIST			
ITEM	QTY	PART NUMBER	TITLE
4	1	S52021	ELBOW, 90, 1/4 NPT X 3/8 BARB
5	1	S52000	PIPE TEE, 1/2 X 1/2, 1/4 GAUGE PORT
7	1	S52013	1/2 MNPT X 1/2 HOSE BARB
10	1	S52062	PIPE NIPPLE, 1/2"
12	1	S52026	ELBOW, 90, 1/2 NPT X 3/8 BARB

